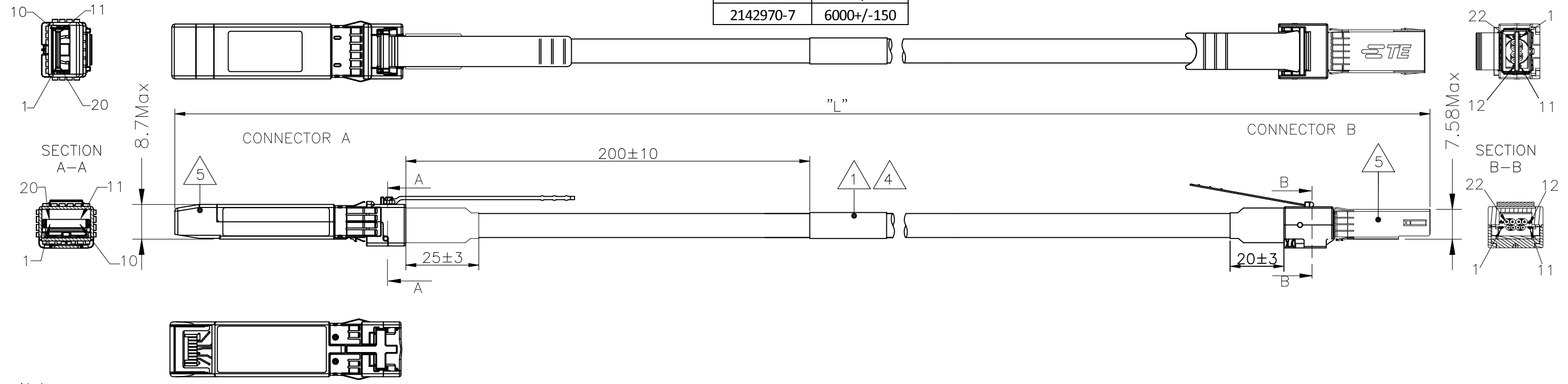
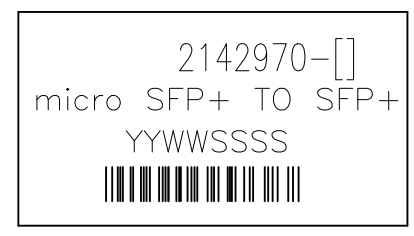


REVISIONS					
P	LTR	DESCRIPTION	DATE	DWN	APVD
	C	REVISED AS PER ECN-22-161202	27JUN2022	KK	AK

TE PN	LENGTH "L"
2142970-1	500+/-15
2142970-2	1000+/-25
2142970-3	2000+/-50
2142970-4	3000+/-75
2142970-5	4000+/-125
2142970-6	5000+/-150
2142970-7	6000+/-150



Notes:
 1. LABEL:



- 2. ASSEMBLY TO BE TESTED FOR CONTINUITY, OPENS, SHORTS, EEPROM PROGRAM AND SIGNAL INTEGRITY.
- 4. SEE SHEET 2 FOR WIRING SCHEMATIC. PROGRAM EEPROM PER 2142970_EEPROM.
- 4. IN CASE ASSY LENGTH < 0.4M THEN PLACE LABEL IN THE MIDDLE.
- 5. SLIDE DUST CAP OVER CONNECTOR (DUST CAP NOT SHOWN ON DRAWING)

PRODUCT AND PROCESSING MUST MEET REQUIREMENTS OF TE CONNECTIVITY ENVIRONMENTAL STANDARD TEC-138-702		DWN 9SEP2014		STE TE Connectivity Ltd.	
THIS DRAWING IS A CONTROLLED DOCUMENT.		WILL ZI			
DIMENSIONS: mm		TOLERANCES UNLESS OTHERWISE SPECIFIED:		CHK Zhang, Finn	
		0 PLC ± -		APVD Roel Lokven van	
		1 PLC ± -		NAME	
		2 PLC ± -		PRODUCT SPEC	
		3 PLC ± -		APPLICATION SPEC	
4 PLC ± -		4 PLC ANGLS ± -		SIZE CAGE CODE DRAWING NO RESTRICTED TO	
MATERIAL -		FINISH -		WEIGHT -	
				A3 00779 C-2142970	
CUSTOMER DRAWING				SCALE 1:1 SHEET 1 OF 2 REV C	

REVISIONS

P	LTR	DESCRIPTION	DATE	DWN	APVD
-	-	SEE SHEET 1	-	-	-

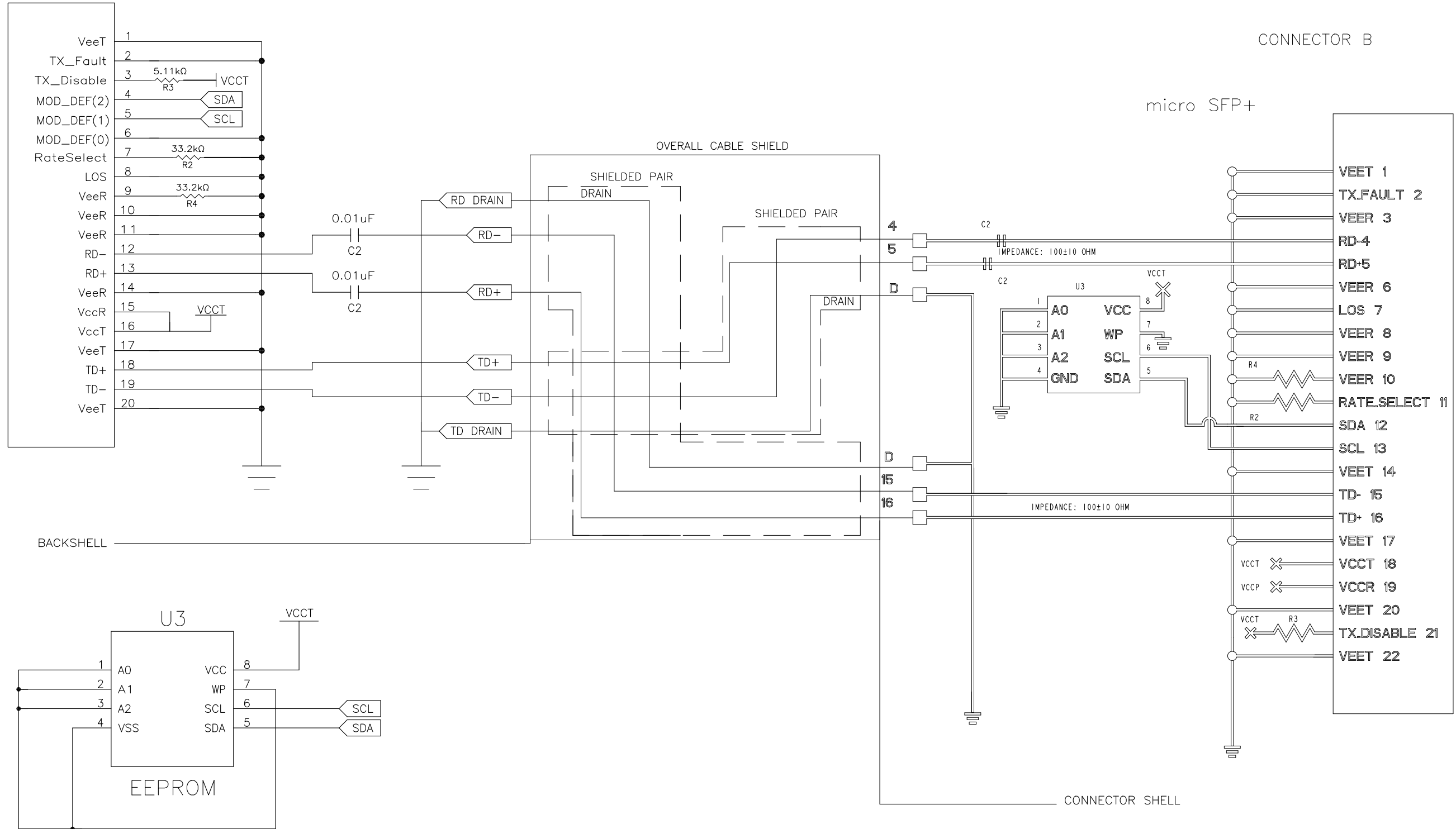
CONNECTOR A

SFP+

WIRE DIAGRAM

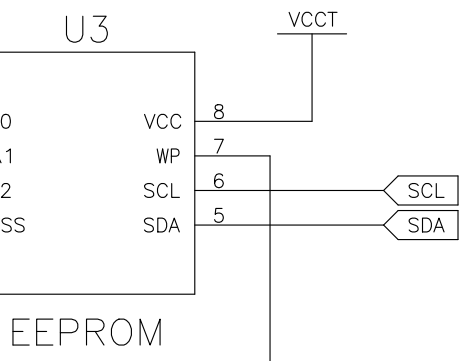
CONNECTOR B

micro SFP+



BACKSHELL

CONNECTOR SHELL



THIS DRAWING IS A CONTROLLED DOCUMENT.		DWN WILL ZI	9SEP2014	TE Connectivity Ltd.	
DIMENSIONS: mm		CHK Zhang, Finn	-		
TOLERANCES UNLESS OTHERWISE SPECIFIED:		APVD Roel Lokven van	-	NAME Micro SFP+ to SFP+	
		PRODUCT SPEC	-	APPLICATION SPEC	
MATERIAL		WEIGHT	-	SIZE	A3
FINISH		-		CAGE CODE	00779
-		-		DRAWING NO	C-2142970
-		-		RESTRICTED TO	-
-		-		SCALE	1:1
-		-		SHEET	2 OF 2
-		-		REV	C