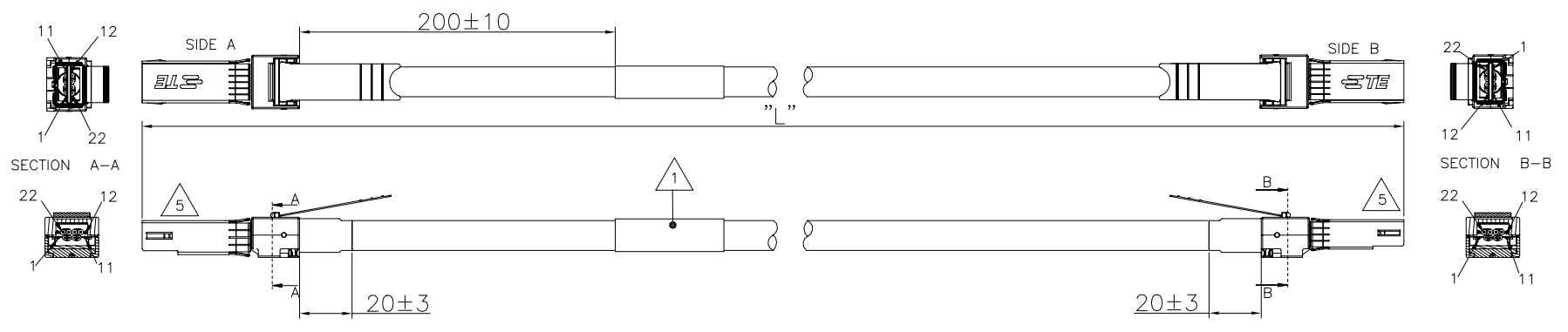
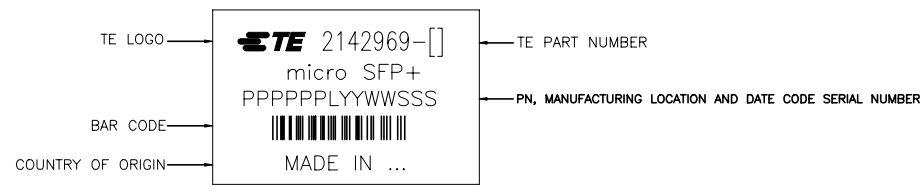


REV	DATE	DESCRIPTION	BY	CHKD	APPD
GP	00				
A		REVISED PER ECO-20-006813			



NOTES:  
 ▲ LABEL CONTENT:



2. CABLE ASSEMBLIES TO BE 100% TESTED FOR CONTINUITY .

6	+0.15 -0.15	METERS	2142969-7
5	+0.15 -0.15	METERS	2142969-6
4	+0.125 -0.125	METERS	2142969-5
3	+0.075 -0.075	METERS	2142969-4
2	+0.05 -0.05	METERS	2142969-3
1	+0.025 -0.025	METERS	2142969-2
0.5	+0.015 -0.015	METERS	2142969-1
"L"			PART NO

THIS DRAWING IS A CONTROLLED DOCUMENT.		REV		DATE		DESCRIPTION		BY		CHKD		APPD	
0	PLC	▲	-	08/04/2012									
1	PLC	▲	-	08/04/2012									
2	PLC	▲	-	08/04/2012									
3	PLC	▲	-	08/04/2012									
4	PLC	▲	-	08/04/2012									
5	PLC	▲	-	08/04/2012									
6	PLC	▲	-	08/04/2012									
7	PLC	▲	-	08/04/2012									
8	PLC	▲	-	08/04/2012									
9	PLC	▲	-	08/04/2012									
10	PLC	▲	-	08/04/2012									
11	PLC	▲	-	08/04/2012									
12	PLC	▲	-	08/04/2012									
13	PLC	▲	-	08/04/2012									
14	PLC	▲	-	08/04/2012									
15	PLC	▲	-	08/04/2012									
16	PLC	▲	-	08/04/2012									
17	PLC	▲	-	08/04/2012									
18	PLC	▲	-	08/04/2012									
19	PLC	▲	-	08/04/2012									
20	PLC	▲	-	08/04/2012									
21	PLC	▲	-	08/04/2012									
22	PLC	▲	-	08/04/2012									
23	PLC	▲	-	08/04/2012									
24	PLC	▲	-	08/04/2012									
25	PLC	▲	-	08/04/2012									
26	PLC	▲	-	08/04/2012									
27	PLC	▲	-	08/04/2012									
28	PLC	▲	-	08/04/2012									
29	PLC	▲	-	08/04/2012									
30	PLC	▲	-	08/04/2012									
31	PLC	▲	-	08/04/2012									
32	PLC	▲	-	08/04/2012									
33	PLC	▲	-	08/04/2012									
34	PLC	▲	-	08/04/2012									
35	PLC	▲	-	08/04/2012									
36	PLC	▲	-	08/04/2012									
37	PLC	▲	-	08/04/2012									
38	PLC	▲	-	08/04/2012									
39	PLC	▲	-	08/04/2012									
40	PLC	▲	-	08/04/2012									
41	PLC	▲	-	08/04/2012									
42	PLC	▲	-	08/04/2012									
43	PLC	▲	-	08/04/2012									
44	PLC	▲	-	08/04/2012									
45	PLC	▲	-	08/04/2012									
46	PLC	▲	-	08/04/2012									
47	PLC	▲	-	08/04/2012									
48	PLC	▲	-	08/04/2012									
49	PLC	▲	-	08/04/2012									
50	PLC	▲	-	08/04/2012									
51	PLC	▲	-	08/04/2012									
52	PLC	▲	-	08/04/2012									
53	PLC	▲	-	08/04/2012									
54	PLC	▲	-	08/04/2012									
55	PLC	▲	-	08/04/2012									
56	PLC	▲	-	08/04/2012									
57	PLC	▲	-	08/04/2012									
58	PLC	▲	-	08/04/2012									
59	PLC	▲	-	08/04/2012									
60	PLC	▲	-	08/04/2012									
61	PLC	▲	-	08/04/2012									
62	PLC	▲	-	08/04/2012									
63	PLC	▲	-	08/04/2012									
64	PLC	▲	-	08/04/2012									
65	PLC	▲	-	08/04/2012									
66	PLC	▲	-	08/04/2012									
67	PLC	▲	-	08/04/2012									
68	PLC	▲	-	08/04/2012									
69	PLC	▲	-	08/04/2012									
70	PLC	▲	-	08/04/2012									
71	PLC	▲	-	08/04/2012									
72	PLC	▲	-	08/04/2012									
73	PLC	▲	-	08/04/2012									
74	PLC	▲	-	08/04/2012									
75	PLC	▲	-	08/04/2012									
76	PLC	▲	-	08/04/2012									
77	PLC	▲	-	08/04/2012									
78	PLC	▲	-	08/04/2012									
79	PLC	▲	-	08/04/2012									
80	PLC	▲	-	08/04/2012									
81	PLC	▲	-	08/04/2012									
82	PLC	▲	-	08/04/2012									
83	PLC	▲	-	08/04/2012									
84	PLC	▲	-	08/04/2012									
85	PLC	▲	-	08/04/2012									
86	PLC	▲	-	08/04/2012									
87	PLC	▲	-	08/04/2012									
88	PLC	▲	-	08/04/2012									
89	PLC	▲	-	08/04/2012									
90	PLC	▲	-	08/04/2012									
91	PLC	▲	-	08/04/2012									
92	PLC	▲	-	08/04/2012									
93	PLC	▲	-	08/04/2012									
94	PLC	▲	-	08/04/2012									
95	PLC	▲	-	08/04/2012									
96	PLC	▲	-	08/04/2012									
97	PLC	▲	-	08/04/2012									
98	PLC	▲	-	08/04/2012									
99	PLC	▲	-	08/04/2012									
100	PLC	▲	-	08/04/2012									

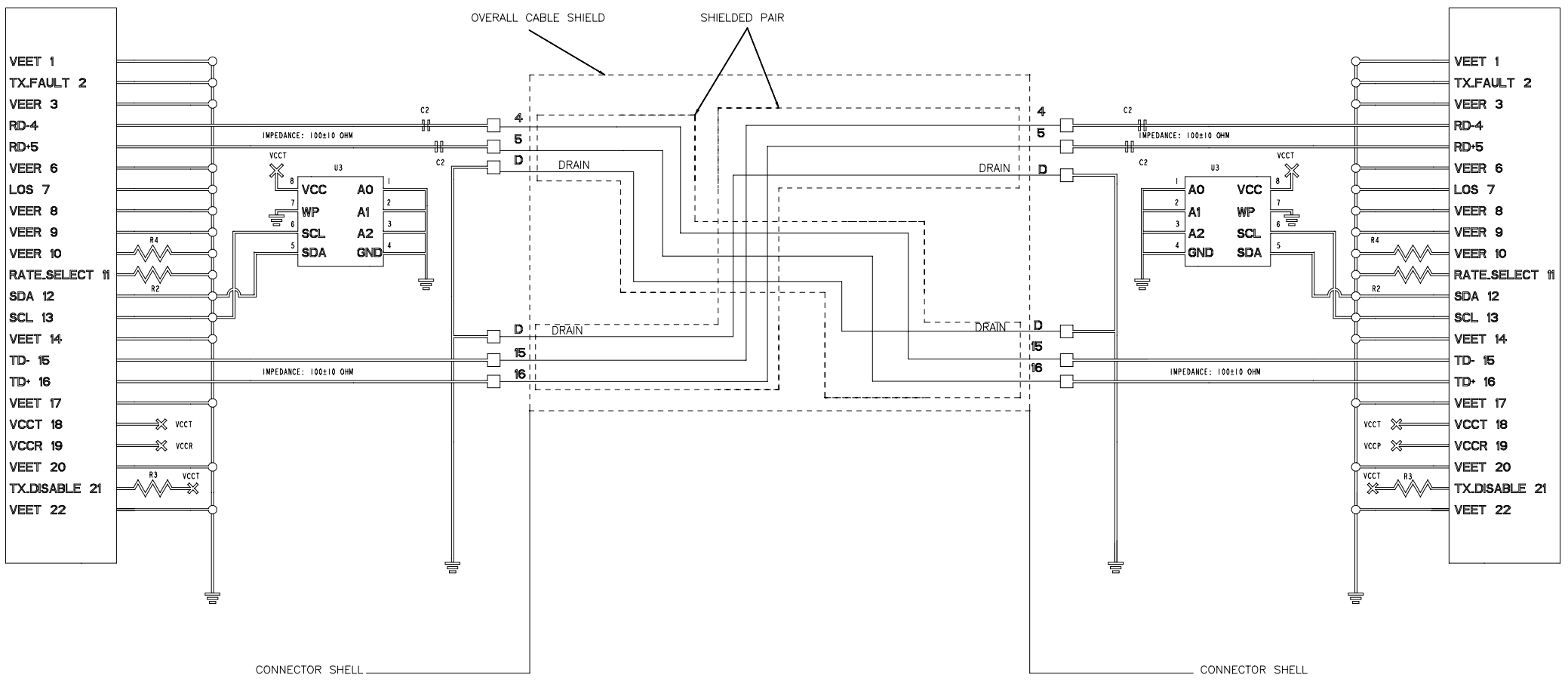
PRODUCT AND PROCESSING MUST MEET REQUIREMENTS OF TE CONNECTIVITY ENVIRONMENTAL STANDARD TEC-138-702

THIS DRAWING IS UNPUBLISHED. RELEASED FOR PUBLICATION. ALL RIGHTS RESERVED.

REV. NO.		REVISIONS	
DATE	BY	DESCRIPTION	DATE
GP	00	SEE SHEET 1	-

SIDE A  
micro SFP+

SIDE B  
micro SFP+



THIS DRAWING IS A CONTROLLED DOCUMENT.		REV. 011	DATE 08/06/2012
DRAWING LABEL:		DATE 08/06/2012	DATE 08/06/2012
DIMENSIONS: mm		LINKED: Yes	Scale
MATERIAL: -		PRODUCT SPEC: -	APPLICATION SPEC: -
FINISH: -		SIZE: A1	DATE CODE: 00779
		CUSTOMER DRAWING	DRAWING NO: 2142969
		SCALE: 1:1	SHEET: 2 of 2
			REV: A