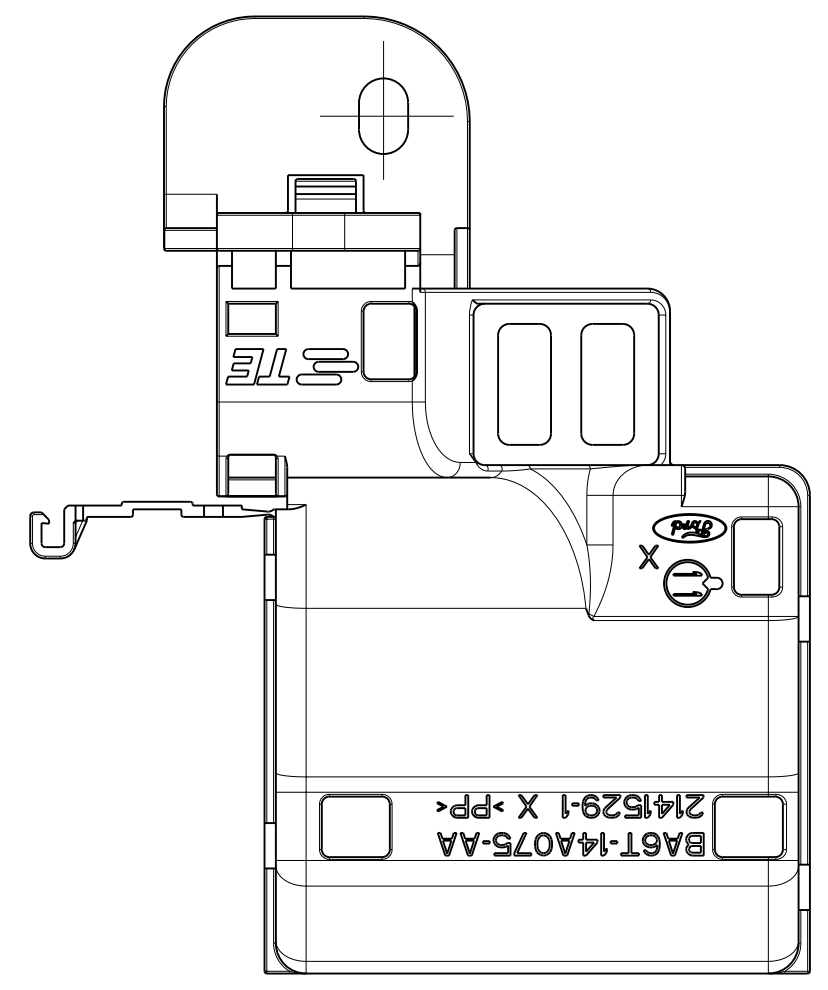
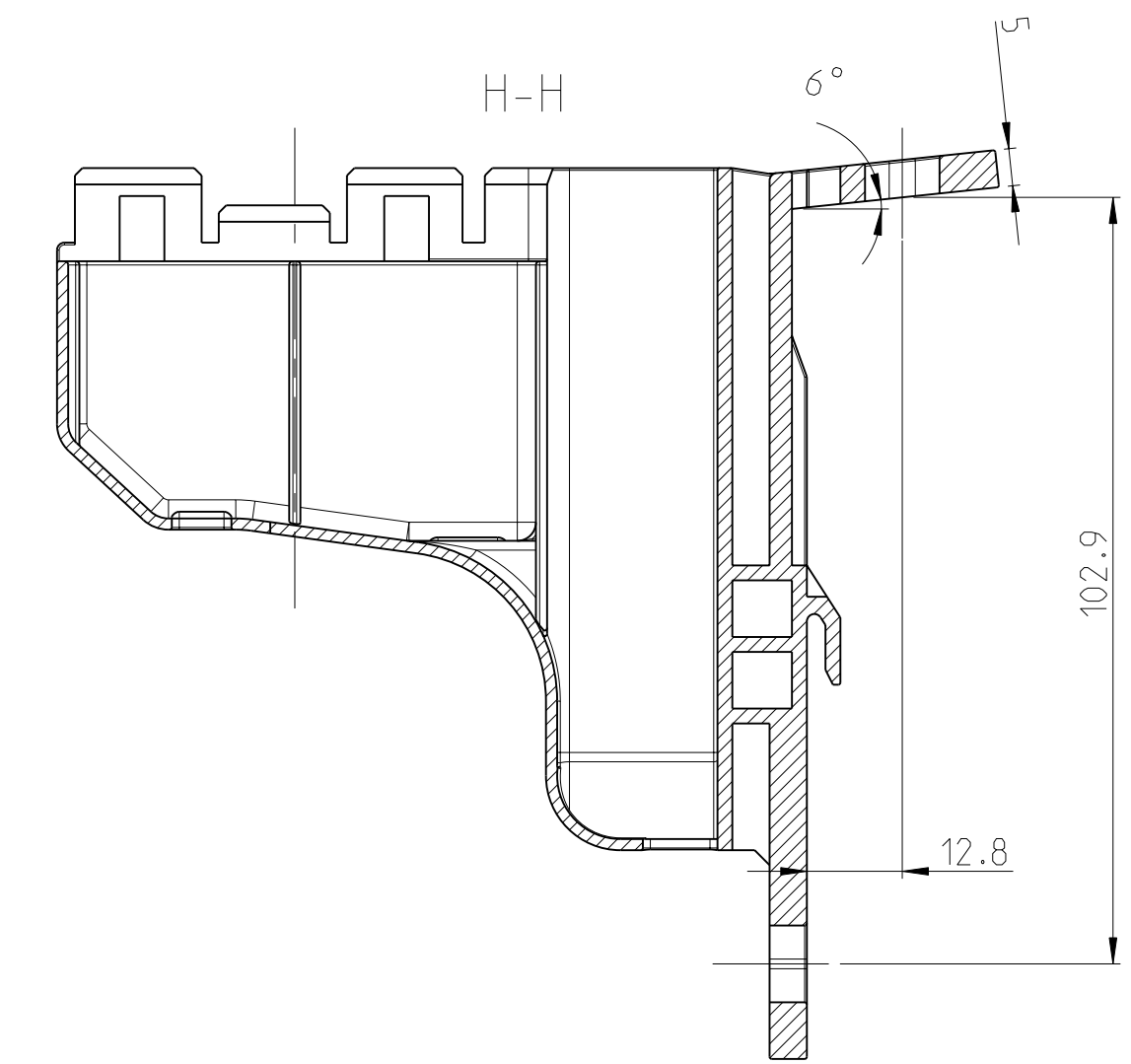
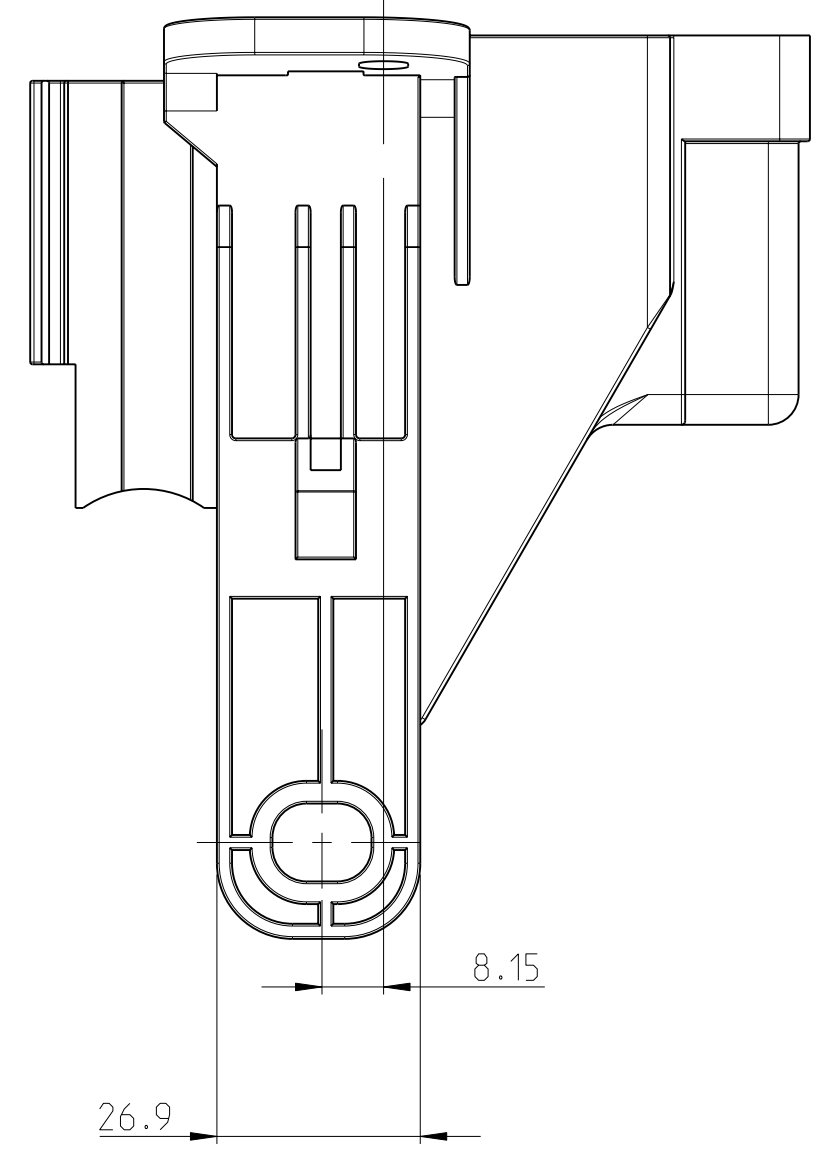
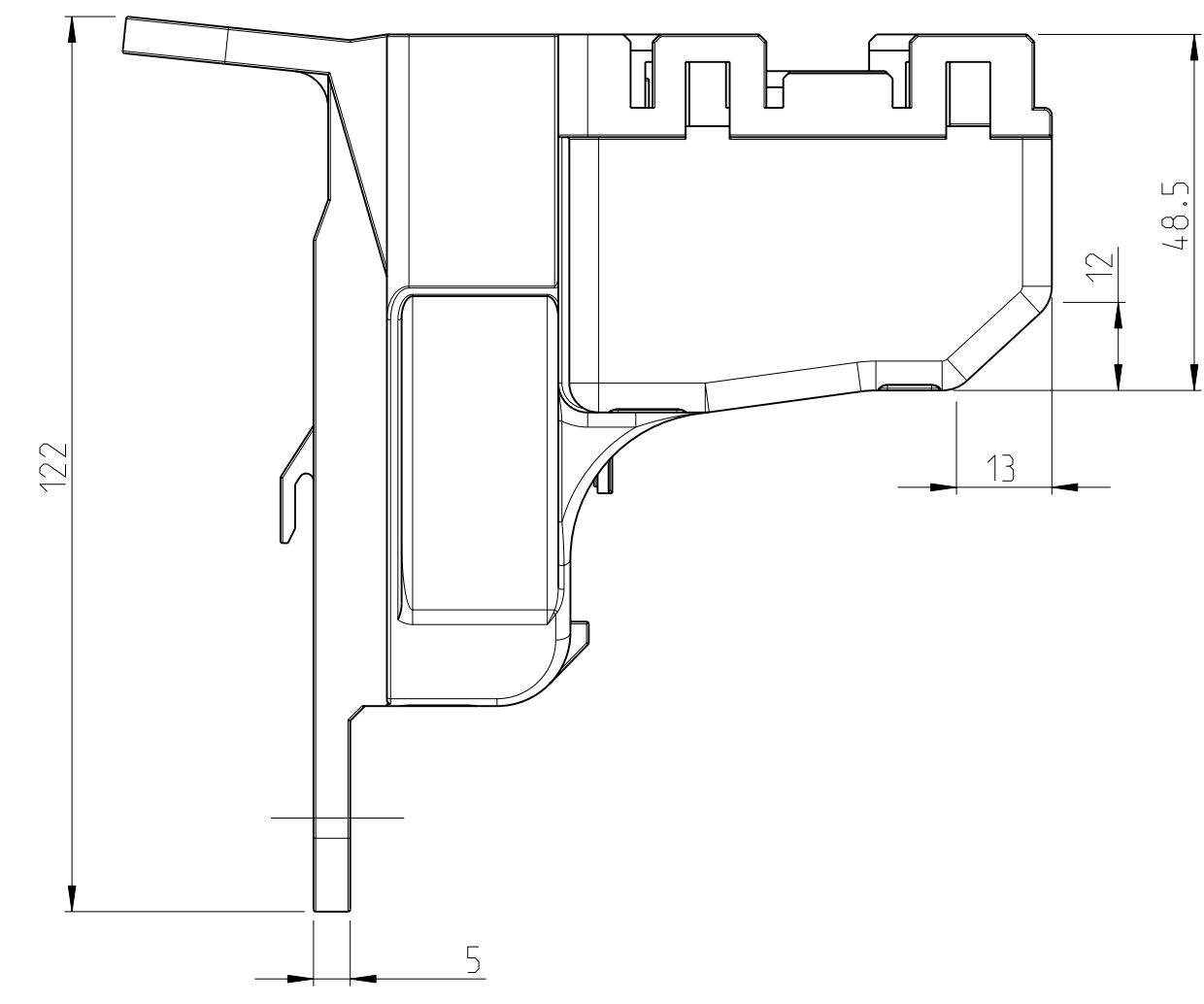
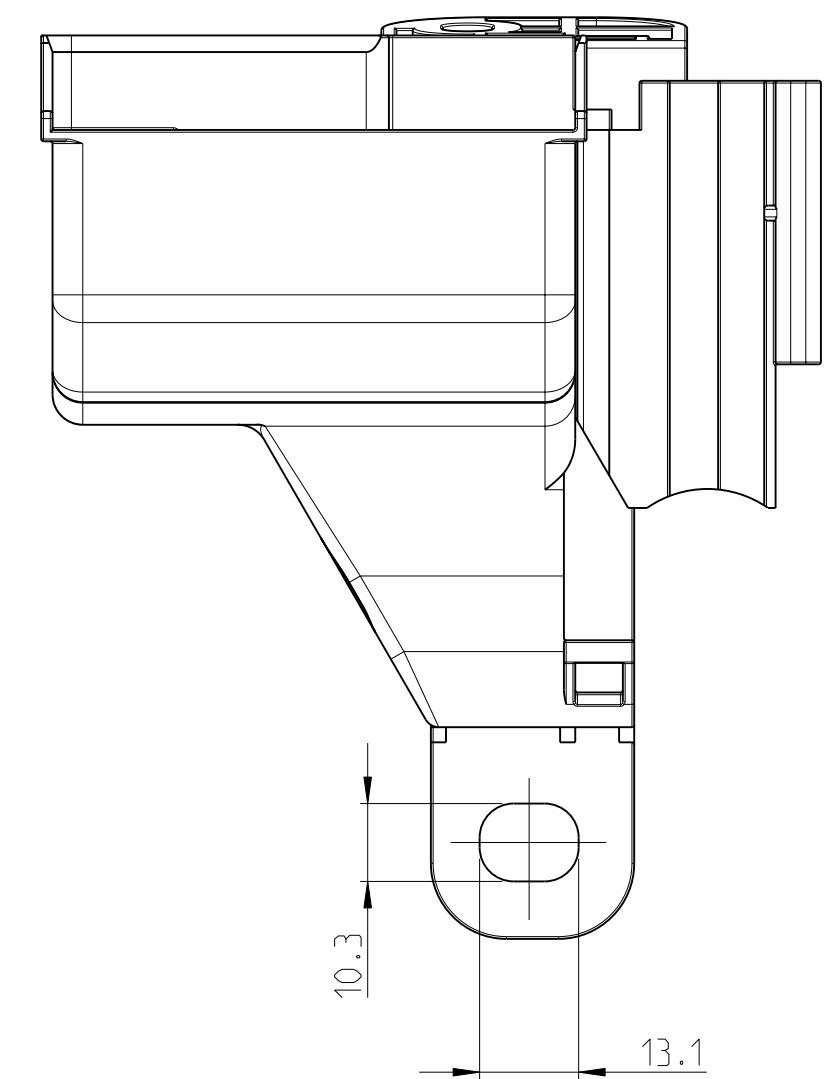
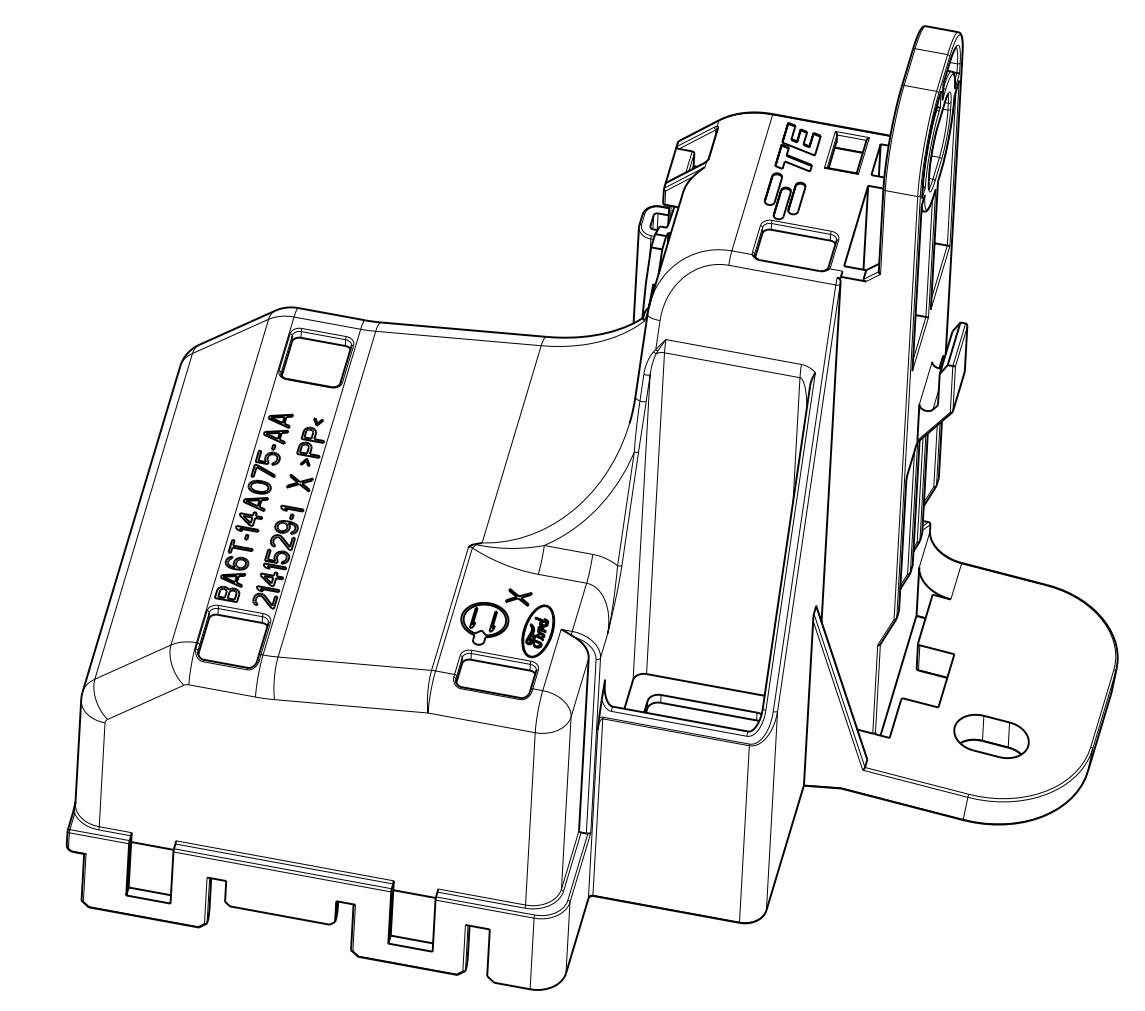
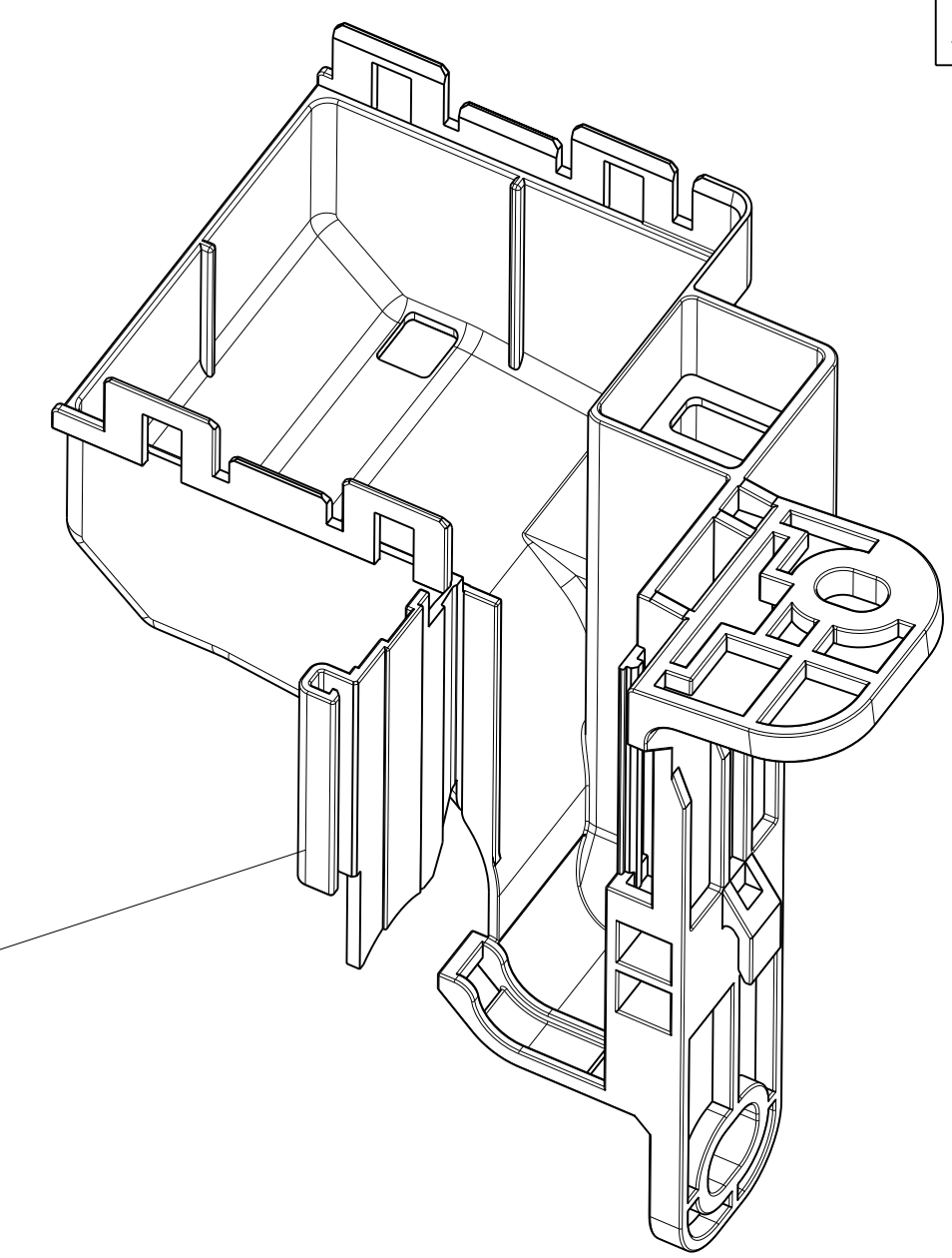


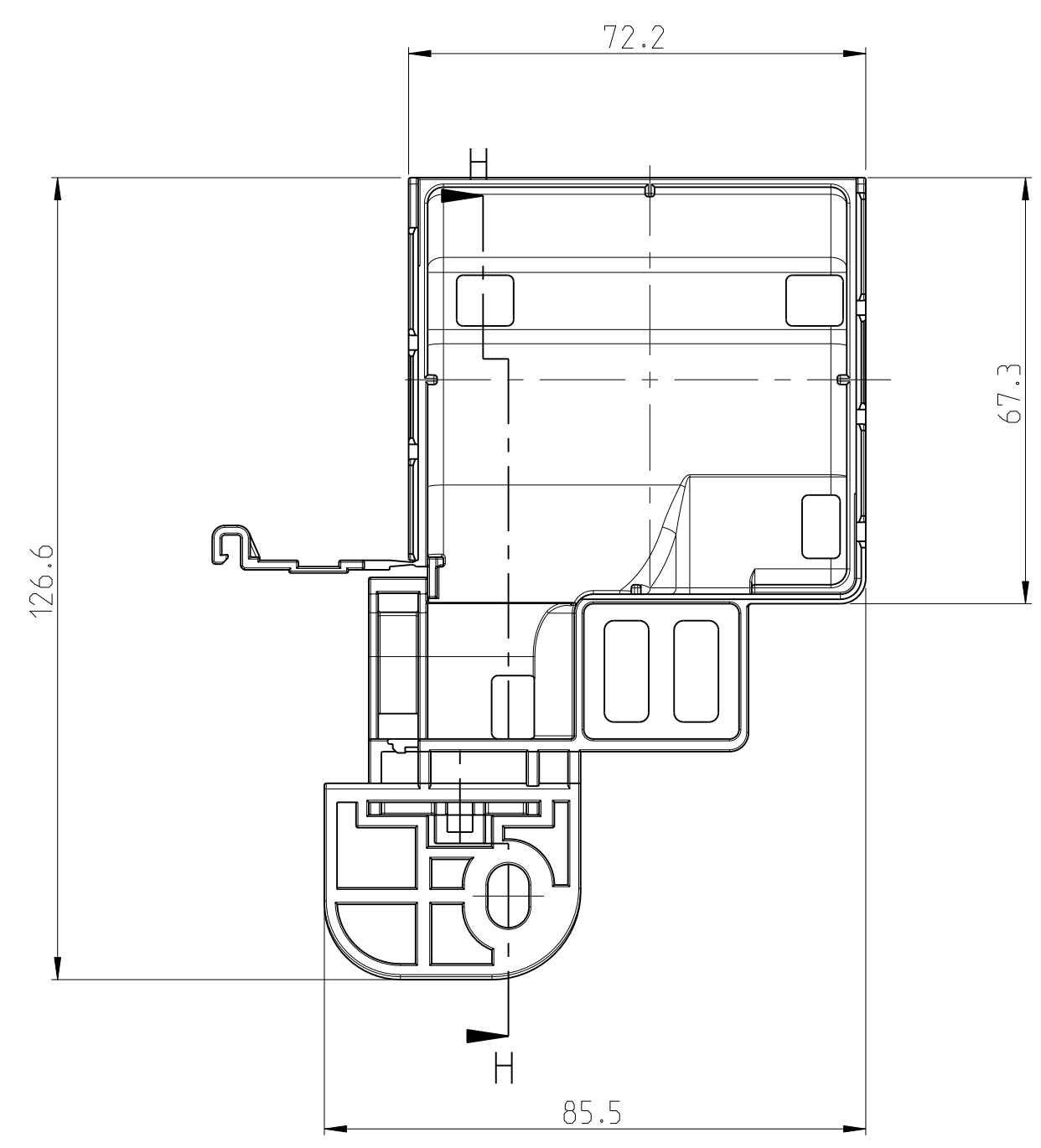
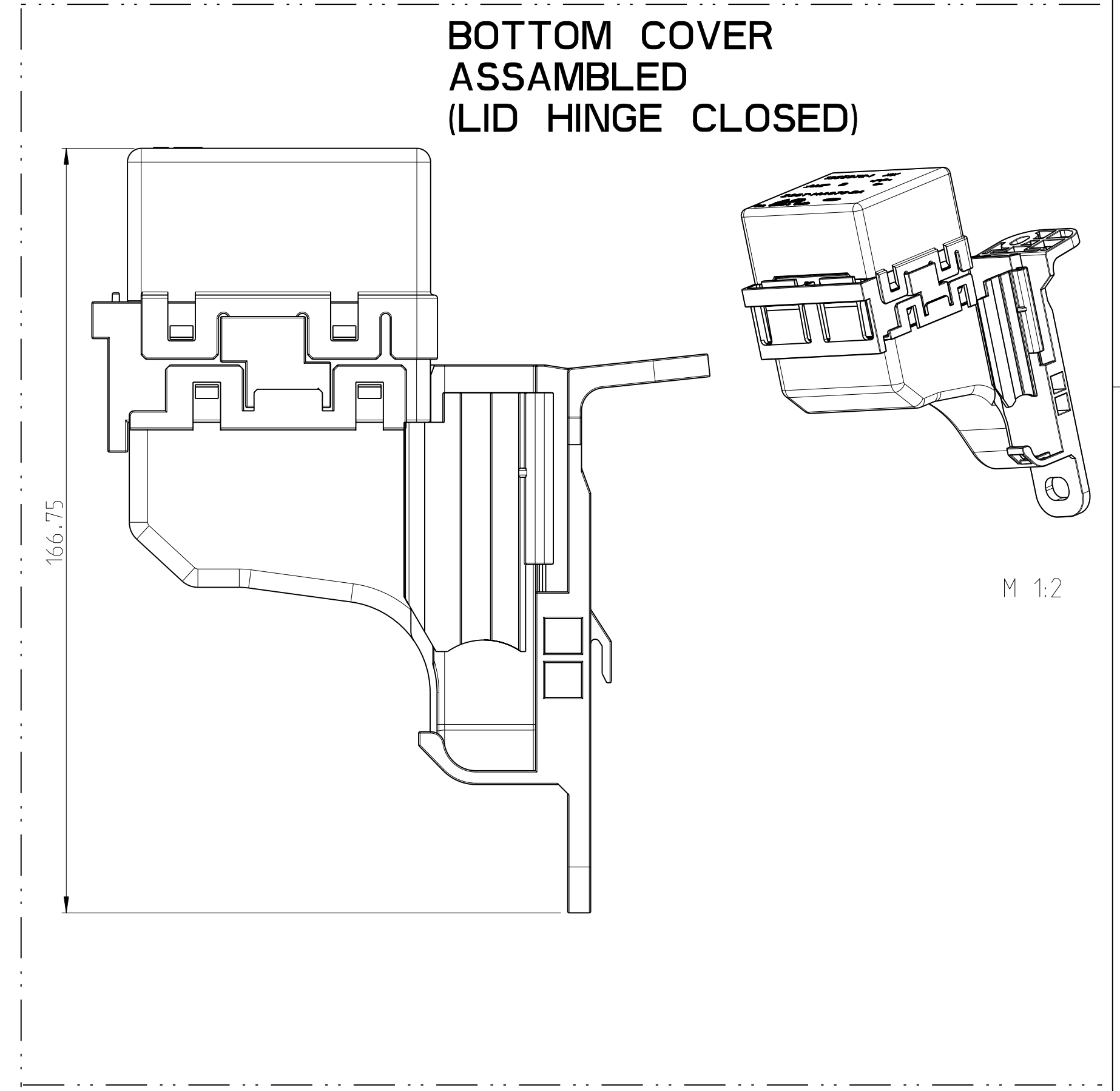
LOC	DIST	REVISIONS			
P	LTB	DESCRIPTION	DATE	DWN	APVD
A1	-	UPDATED	10DEC2010	MT	HR
B	-	UPDATED	11MAY2011	MT	HR



LID HINGE OPEN



**BOTTOM COVER
 ASSAMBLD
 (LID HINGE CLOSED)**



PART NO	REV	DESCRIPTION	MATERIAL	WEIGHT (g)	COLOR	ITEM NO
2141529-1	B	BOTTOM COVER	PP	59.3	BLACK	1

THIS DRAWING IS A CONTROLLED DOCUMENT.		DWN M. TRAJKOV CHK H. RIPPER APVD	01DEC2010 01DEC2010
DIMENSIONS:	TOLERANCES UNLESS OTHERWISE SPECIFIED:	NAME	
mm	9 PLC ±0.5 1 PLC ±0.5 2 PLC ±0.5 3 PLC ±0.5 4 PLC ±0.5 ANGLES ±°	PRODUCT SPEC	
MATERIAL	FINISH	APPLICATION SPEC	
-	-	WEIGHT	
CUSTOMER DRAW ING		SCALE 5:1 SHEET 1 OF 1 REV B	

STE TE Connectivity

**BOTTOM COVER,
 SUB RELAY BOX**

SIZE CAGE CODE DRAWING NO RESTRICTED TO
 A1 00779 C=2141529 -