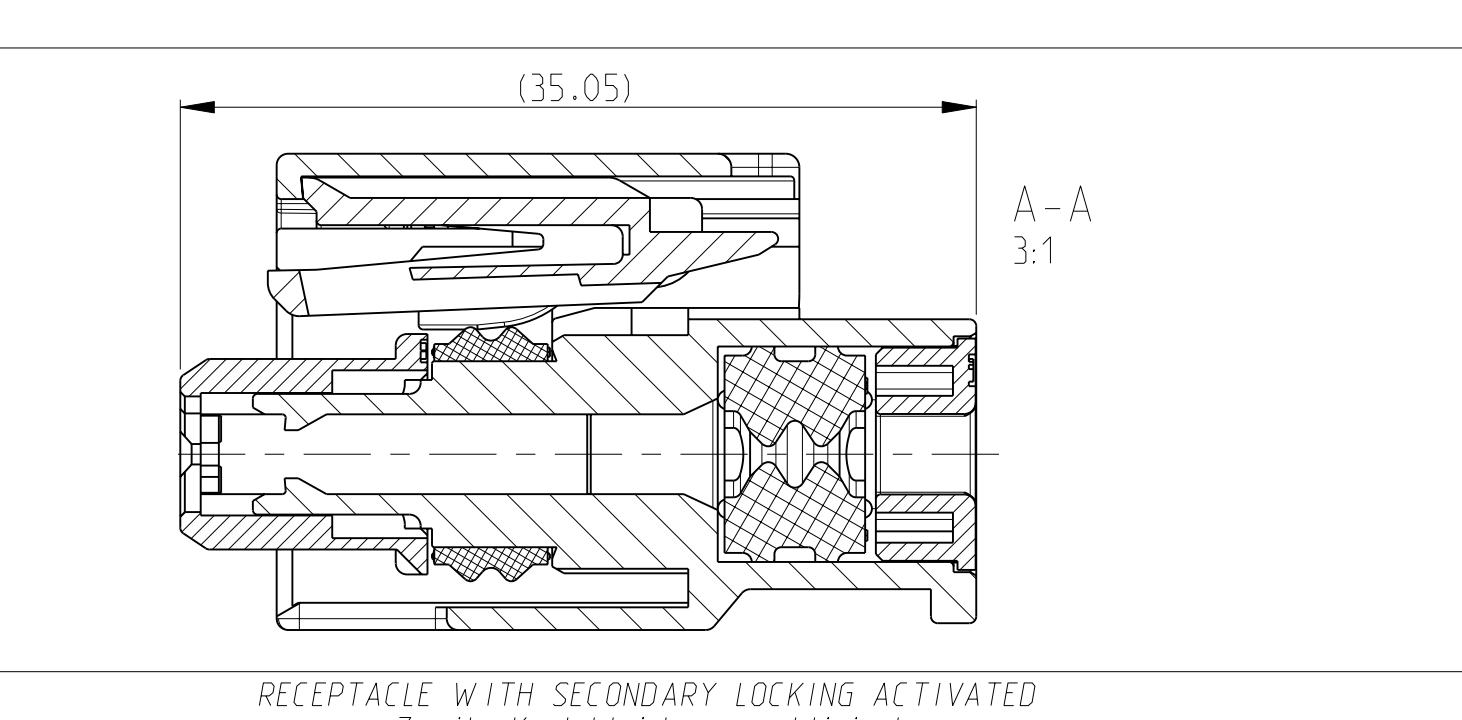
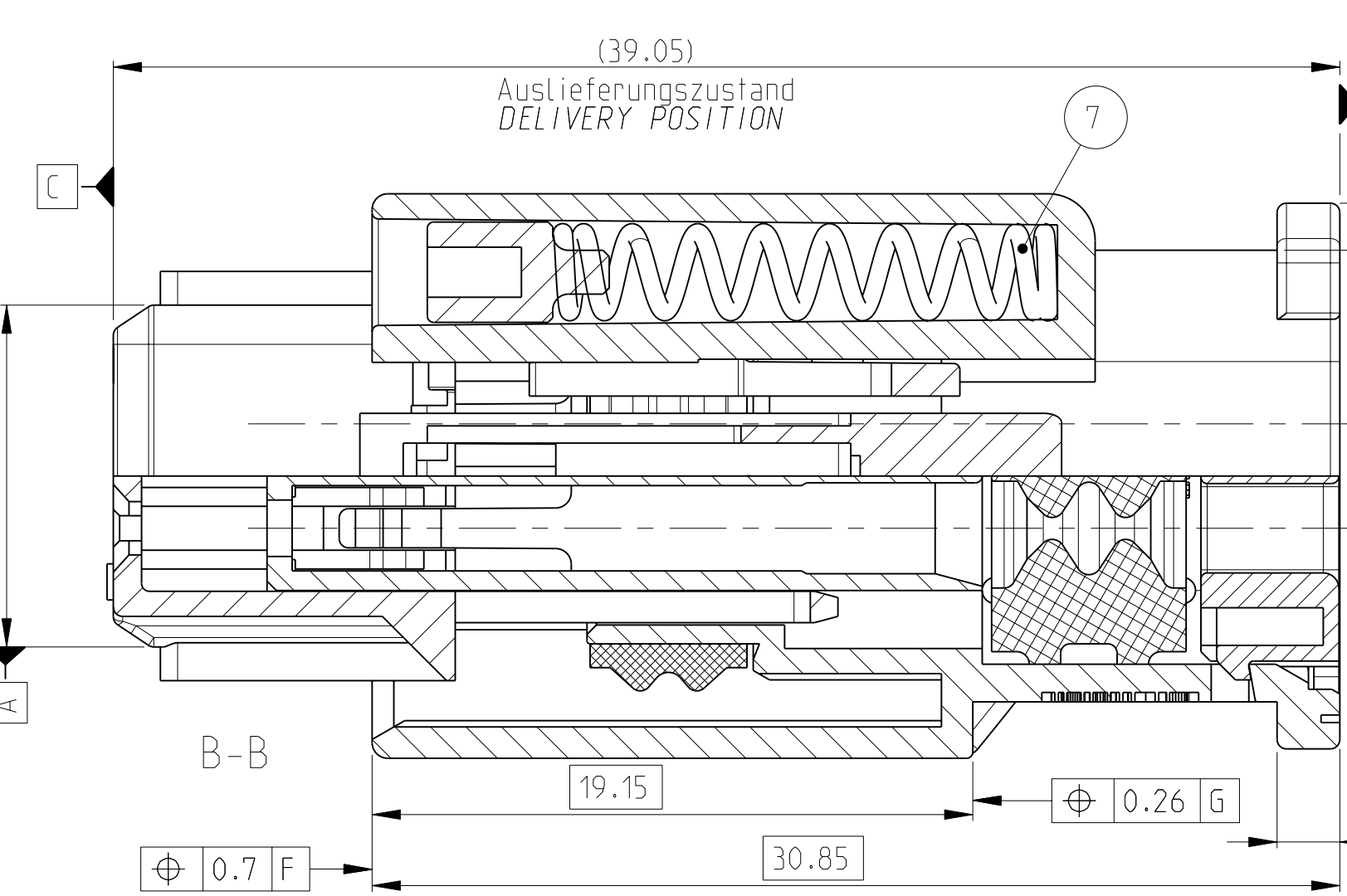
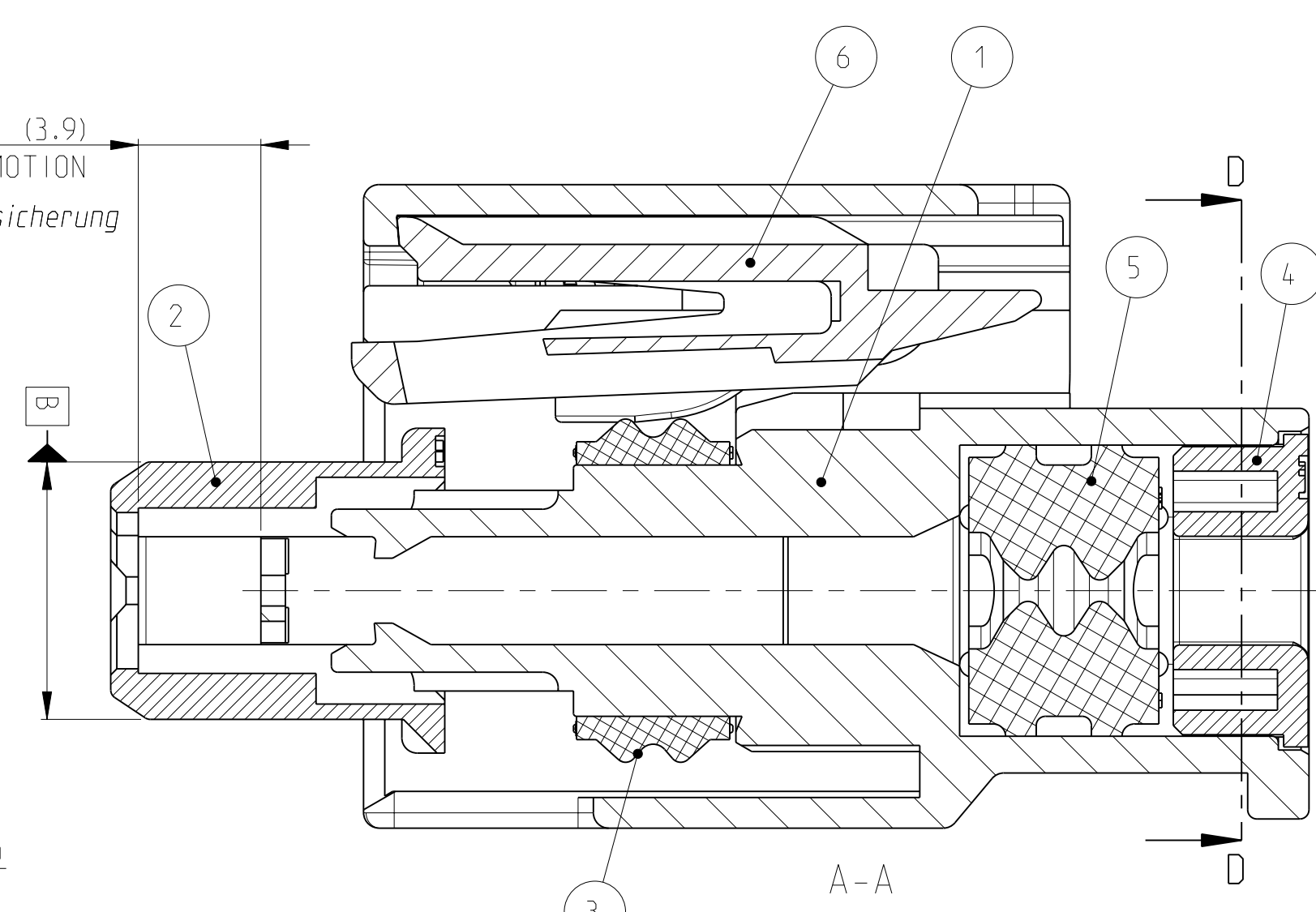
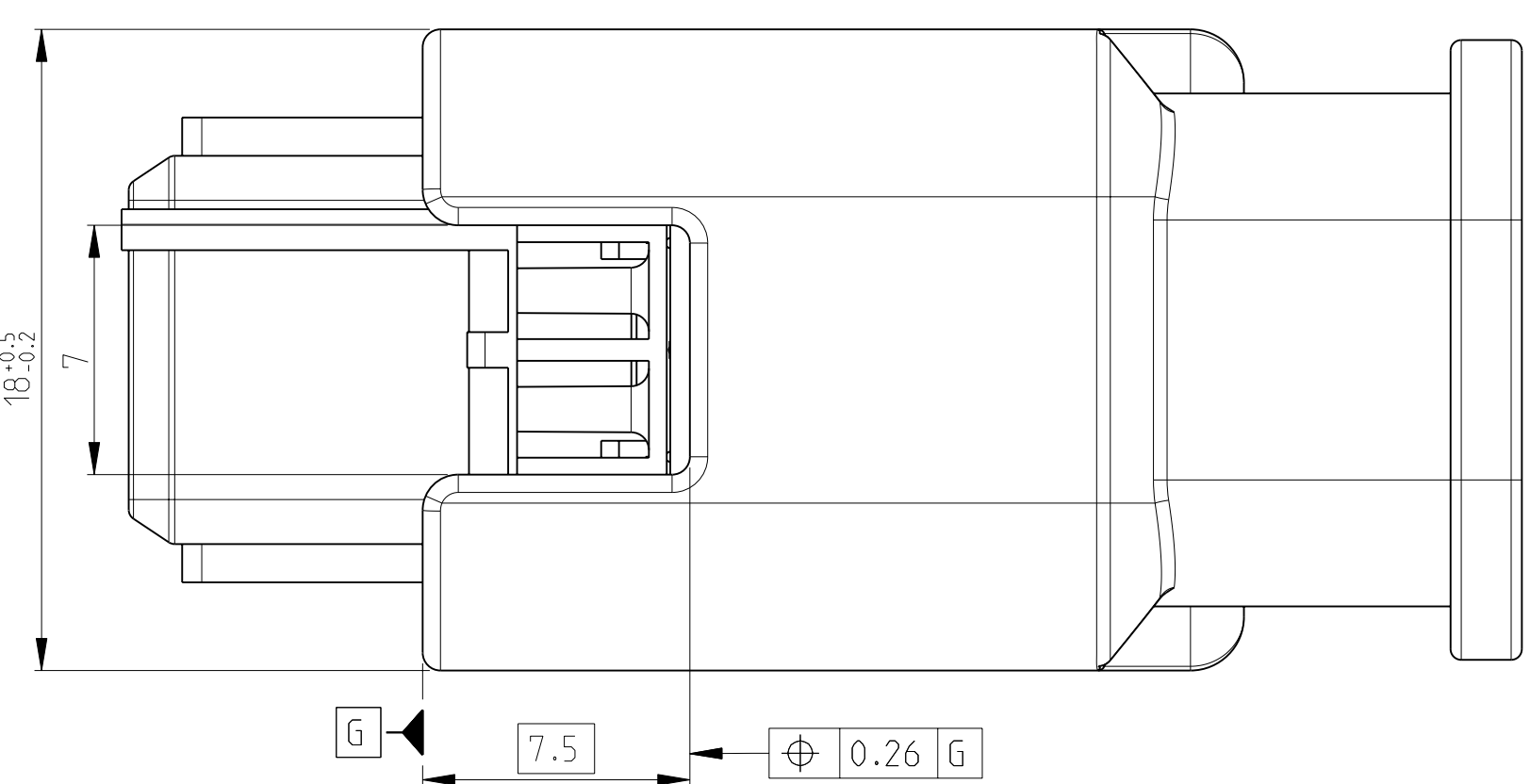
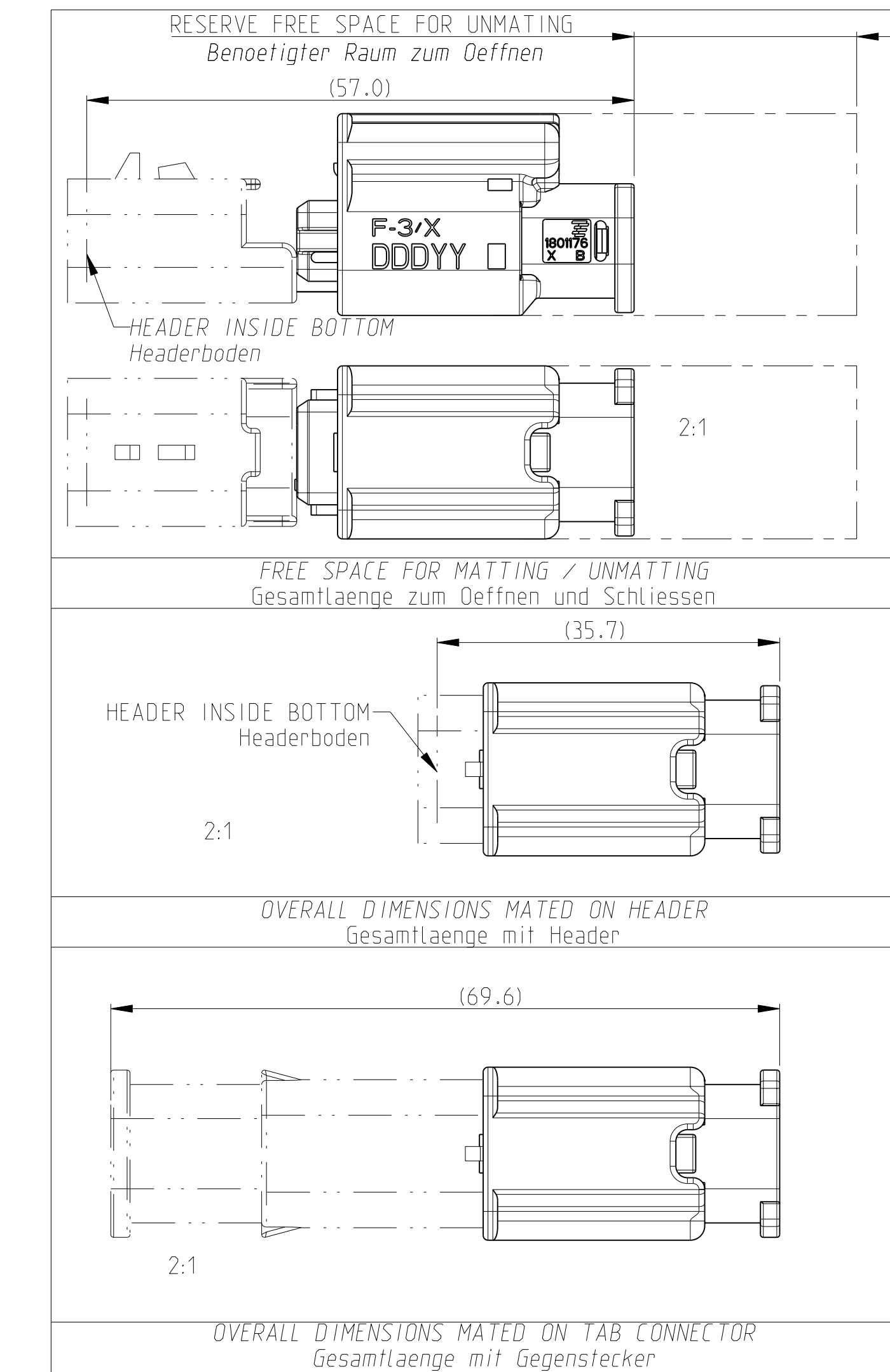
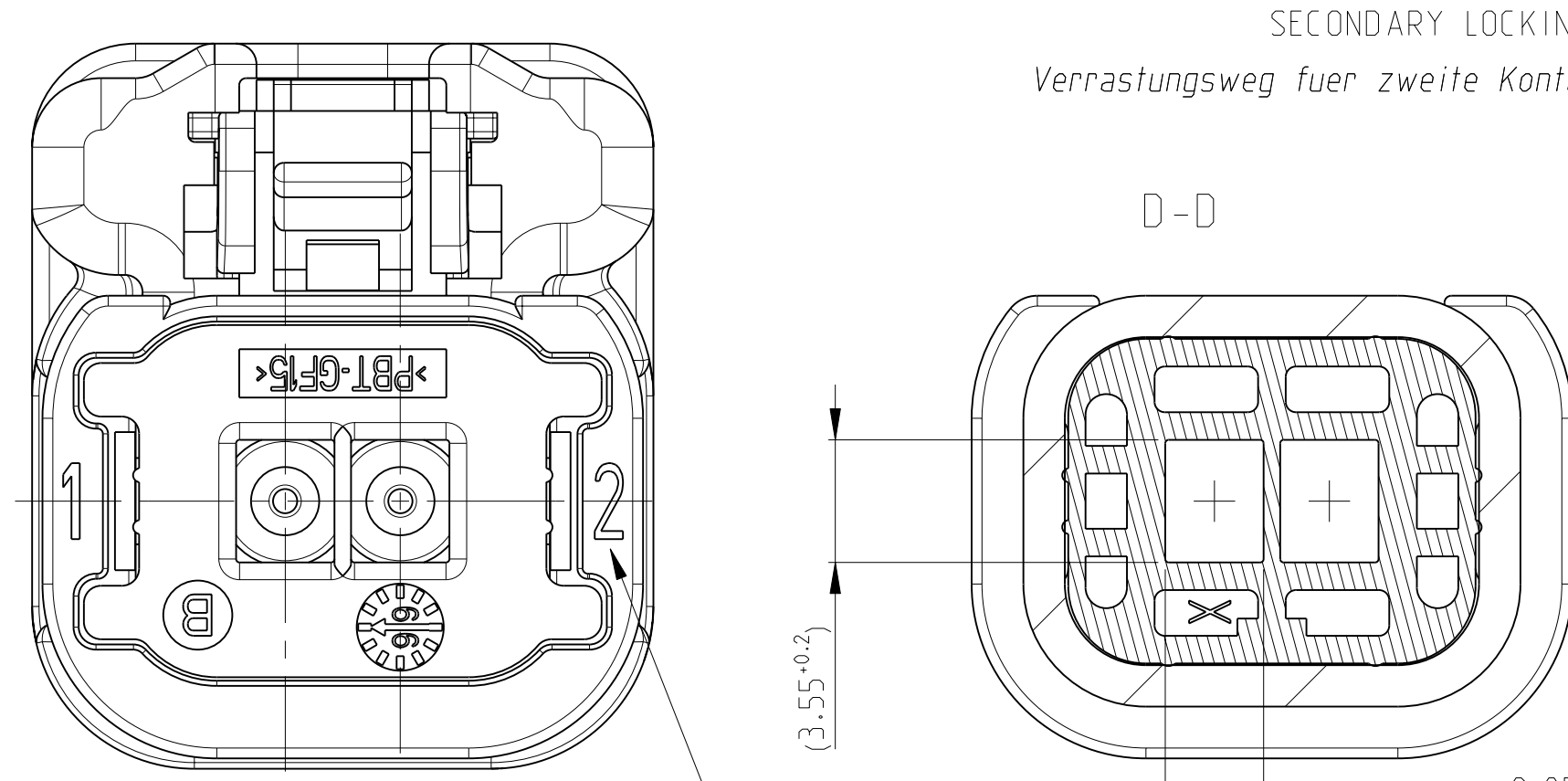


TE PN TE Nr.	COLOUR Farbe	KEYING TOLERANCE: Kodierungstoleranz: ±0.05
0-2141502-1	BLACK schwarz	
0-2141502-2	BLUE blau	
0-2141502-3	GREY grau	
0-2141502-4	YELLOW gelb	
0-2141502-5	GREEN gruen	
0-2141502-6	BROWN braun	
0-2141502-7	WHITE weiss	
0-2141502-8	RED rot	
0-2141502-9	ORANGE orange	

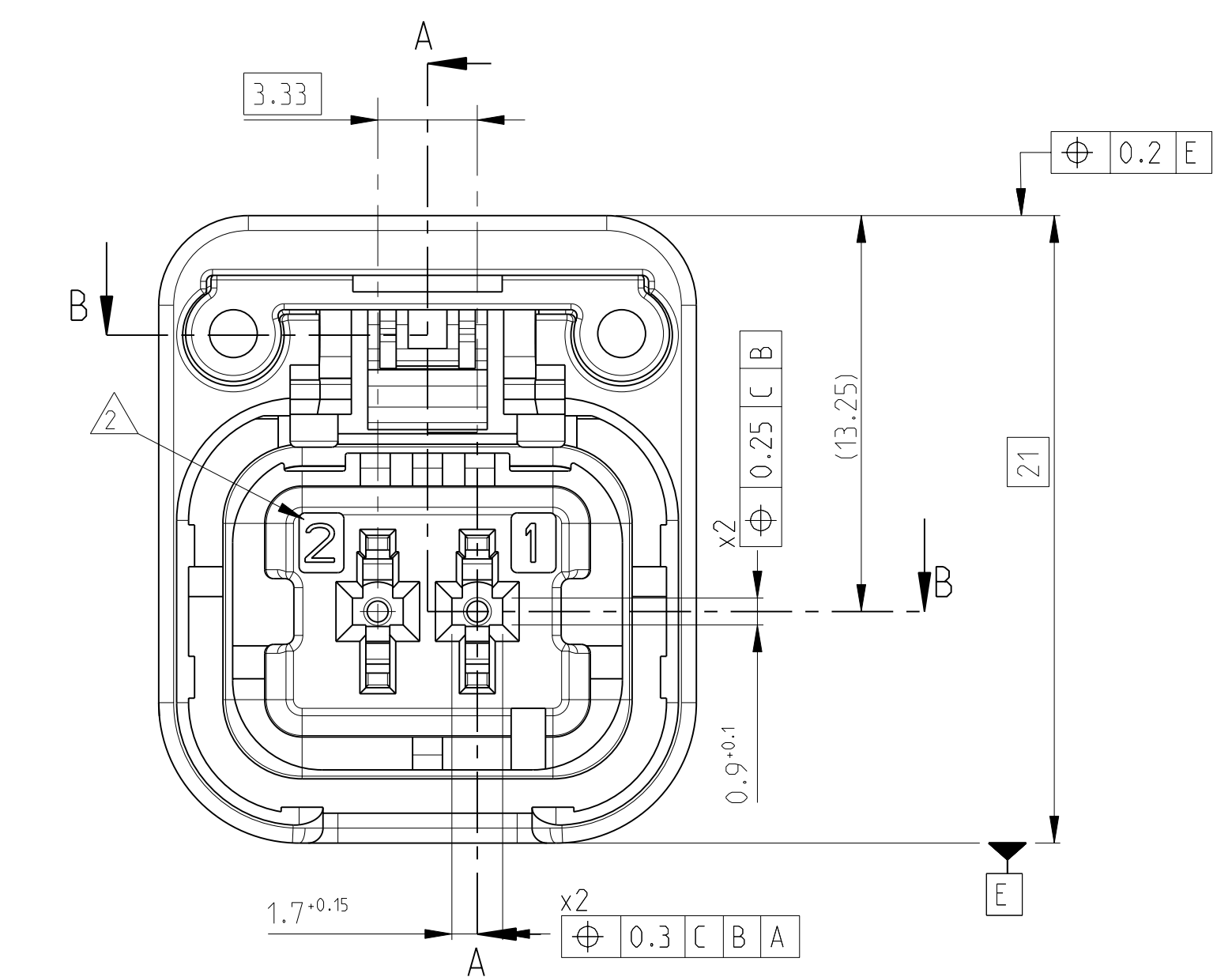
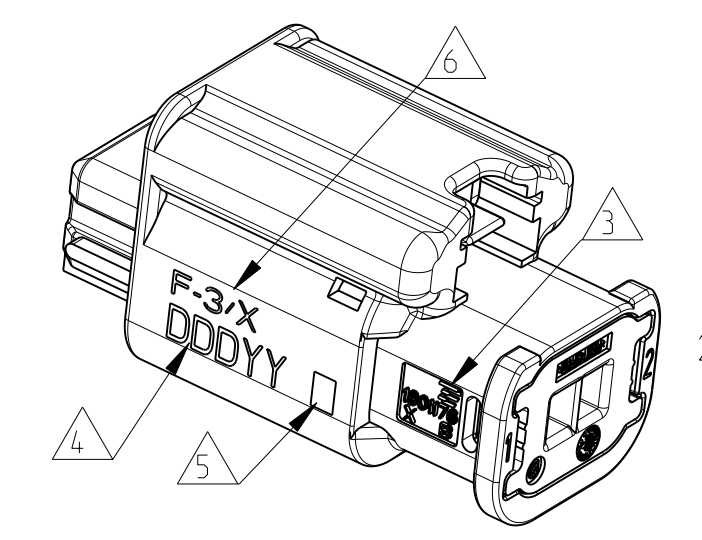
**NOTES**  
Bemerkungen

- 0-2141502-1 AS SHOWN  
0-2141502-1 wie gezeichnet
- CAVITY MARKING  
Kammernummerierung
- TE LOGO  
TE Zeichen
- ASSEMBLY DATE: "DDYY"  
Zusammenbau Datum: "DDYY"
- PLANT CODE:  
Herstellungs Land:  
E = EUROPE  
C = CHINA  
M = MERCOSUR
- ASSY. PN. AND REVISION  
FOR EXAMPLE: F-3/X  
F = FORD VERSION; -3 = SUFFIX FOR TE PART NUMBER; X = REVISION  
Zusammenbau Nr. und Revision  
Zum Beispiel: F-3/X  
F = Ford Version; -3 = Nachstrichzahl fuer TE Teilenummer; X = Revision

DESCRIPTION Beschreibung	TE PN TE Nr.
FIXED COVER 2 WAYS - LEFT/RIGHT EXIT Abdeckkappe mit Abgang links/rechts	FOR CORRUGATED TUBE Ø6 Fuer Wellrohr Ø6 1801466-1
FIXED COVER 2 WAYS - UP/DOWN EXIT Abdeckkappe mit Abgang oben/unten	FOR CORRUGATED TUBE Ø4.5 Fuer Wellrohr Ø4.5 1801466-2
FIXED COVER 2 WAYS - EXIT IN LINE Abdeckkappe mit geradem Abgang	FOR CORRUGATED TUBE Ø6 Fuer Wellrohr Ø6 1801155-5
ROTATIVE COVER 90 DEG. 2 WAYS Drehbare Abdeckkappe mit 90 Grad Abgang	FOR CORRUGATED TUBE Ø6 Fuer Wellrohr Ø6 1801356-1
RECEPTACLE 1.5 SENSOR GOLD PLATED Section 1.5mm <sup>2</sup> 1.5 mm Sensor Flachkontakt fuer 1.5mm <sup>2</sup> , selektiv vergoldet	1670328-1
RECEPTACLE 1.5 SENSOR GOLD PLATED Section 0.5 to 1mm <sup>2</sup> 1.5 mm Sensor Flachkontakt fuer 0.5 - 1mm <sup>2</sup> , selektiv vergoldet	1670326-1
2 WAYS TAB CONNECTOR HP 2 pol. Stift Gehaeuse HP	1801174-X



LOC	DIST	REV	DESCRIPTION	DATE	OWN	APVD
A1	-	A	NEW PART, NEW DRAWING	27SEP2010	MK	KR
		B	E-11-009265	09JUN2011	MK	KR



**ACCEPTABLE CABLE SECTIONS PER CONTACT**  
 The cross-section of the cables used must be between 0.5 and 1.5mm<sup>2</sup>  
 (Wire min= 1.40mm; Wire Max= 2.40mm)  
 Kabelquerschnitt liegt zwischen 0,5 und 1,5mm<sup>2</sup>  
 (Ø Min= 1,40mm; Ø Max= 2,40mm)

REV	ASSY PN	QTY	MATERIAL	DESCRIPTION	COLOUR	ITEM
2	0-2141502-9	2	STAINLESS STEEL	SPRING	BLANK	7
1	0-2141502-8	1	PA66-GF30	SPRING-LOCK SLIDE 2 WAYS	YELLOW	6
1	0-2141502-7	1	MVQ	FAMILY SEAL	LIGHT BLUE	5
1	0-2141502-6	1	PBT-GF15	COVER FOR FAMILY SEAL	BLACK	4
1	0-2141502-5	1	MVQ	RADIAL SEAL	LIGHT BLUE	3
1	0-2141502-4	1	PBT-GF15	SEC. LOCKING DEVICE COD.9	ORANGE	2
1	0-2141502-3	1	PBT-GF15	SEC. LOCKING DEVICE COD.8	RED	2
1	0-2141502-2	1	PBT-GF15	SEC. LOCKING DEVICE COD.7	WHITE	2
1	0-2141502-1	1	PBT-GF15	SEC. LOCKING DEVICE COD.6	BROWN	2
1	0-2141502-1	1	PBT-GF15	SEC. LOCKING DEVICE COD.5	GREEN	2
1	0-2141502-1	1	PBT-GF15	SEC. LOCKING DEVICE COD.4	YELLOW	2
1	0-2141502-1	1	PBT-GF15	SEC. LOCKING DEVICE COD.3	GREY	2
1	0-2141502-1	1	PBT-GF15	SEC. LOCKING DEVICE COD.2	BLUE	2
1	0-2141502-1	1	PBT-GF15	SEC. LOCKING DEVICE COD.1	BLACK	2
1	0-2141502-1	1	PBT-GF15	RECEPTACLE HOUSING	BLACK	1

THIS DRAWING IS A CONTROLLED DOCUMENT. DWG: M. Kressmann 27SEP2010  
 CHK: K. Roth 29SEP2010  
 E.S. Number: 040CT2010  
 PRODUCT SPEC: -  
 APPLICATION SPEC: -  
 WEIGHT: -  
 CUSTOMER DRAWING: -

**STE** TE Connectivity  
 NAME: 2 WAY RECEPTACLE HPSSL CONNECTOR ASSEMBLY  
 SIZE: A1 CAGE CODE: 00779 DRAWING NO: C-2141502  
 RESTRICTED TO: -  
 SCALE: 5:1 SHEET: 1 OF 1 REV: B