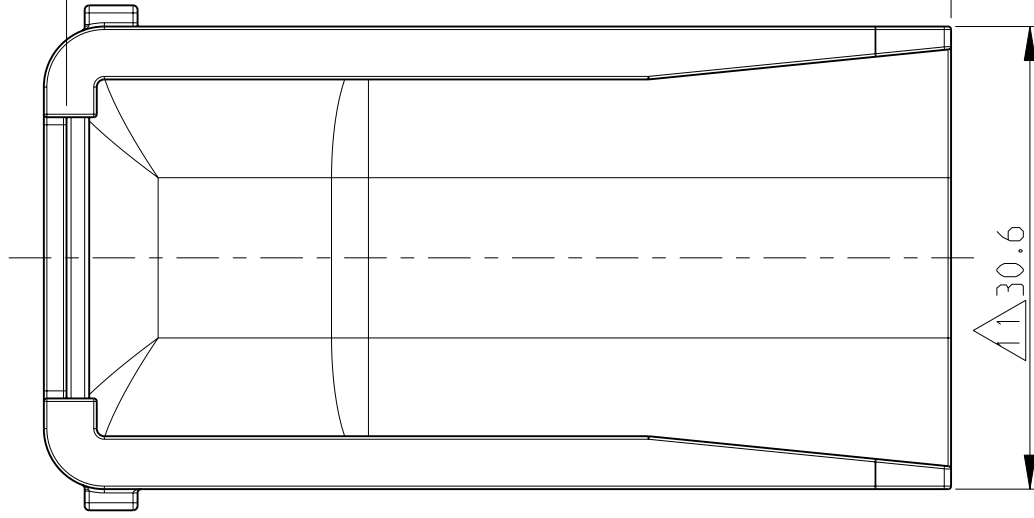


THIS DRAWING IS UNPUBLISHED
 RELEASED FOR PUBLICATION
 2010
 © COPYRIGHT 2010 Tyco Electronics AMP GmbH ALL RIGHTS RESERVED.

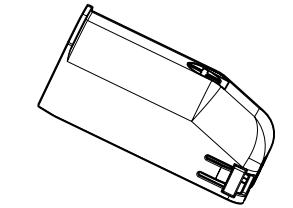
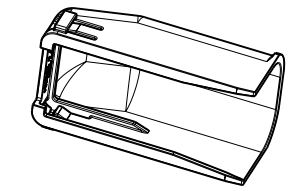
LOC	DIST	REVISIONS			
P	LTR	DESCRIPTION	DATE	DWN	APVD
A	-	NEW PART. NEW DRAWING	13SEP2010	Neu.	-

STOP PLANE FOR COVER
IN MOUNTING POSITION

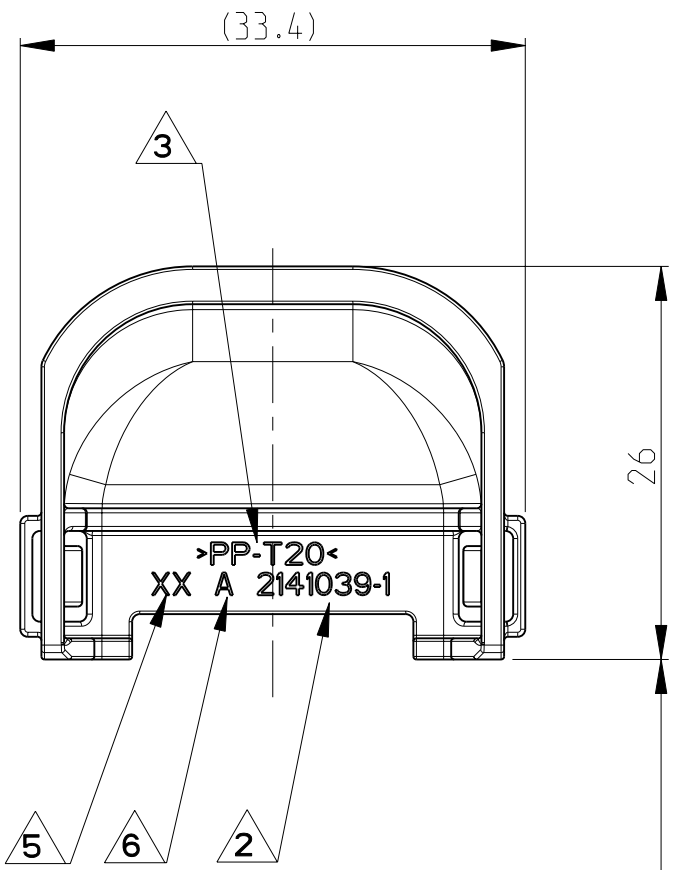
(58.5)



1:2 DELIVERY POSITION

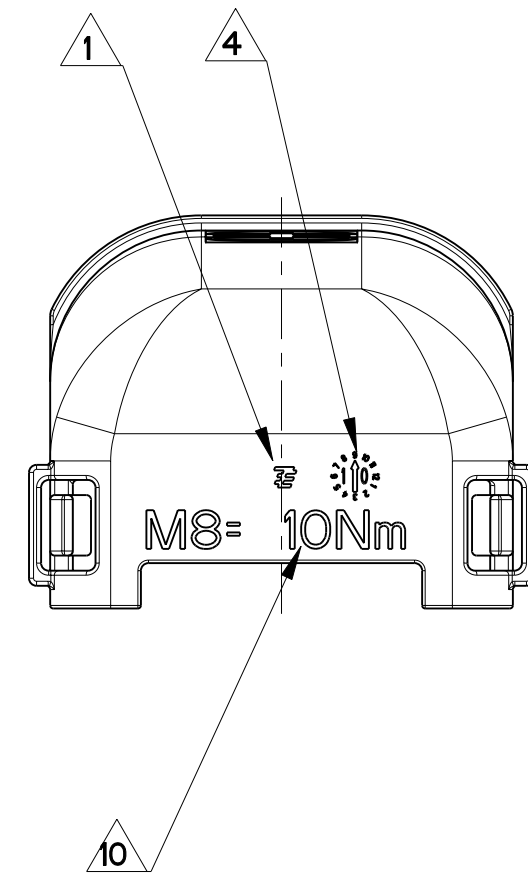
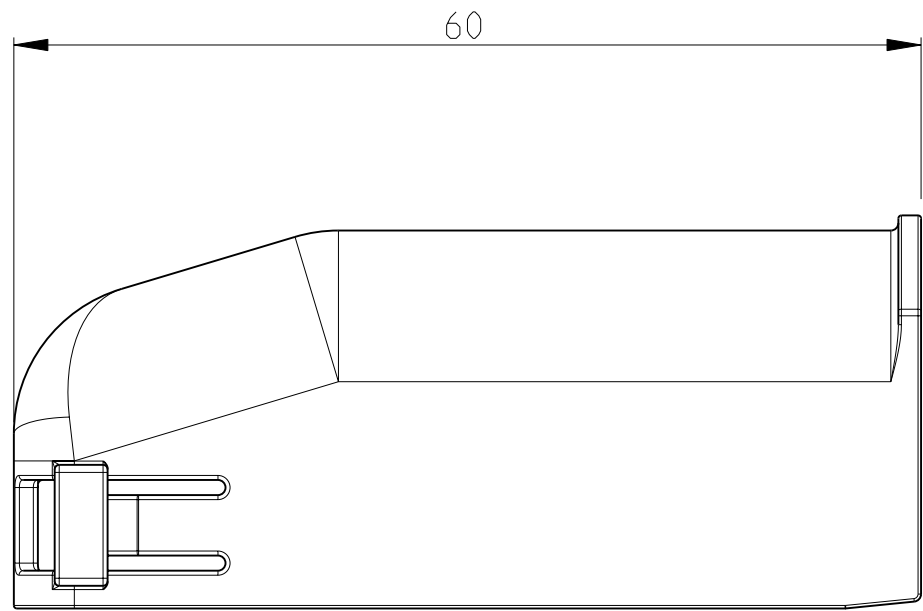


(33.4)



>PP-T20<
XX A 2141039-1

MOUNTING PLANE FOR COVER



NOTES

- 1 TE LOGO
- 2 TE ORDER NUMBER
- 3 MATERIAL MARKING
- 4 PRODUCTION DATE
- 5 TOOL CAVITY MARKING
- 6 REVISION NUMBER
- 7 PACKAGING: BULK MATERIAL IN CARD BOARD BOX
- 8 PARTS ARE TO BE FREE OF SCRATCHES DISCOLORATION, SALT RESIDUE OR OTHER IMPERFECTIONS THAT MAY AFFECT FUNCTION OR FIT OF PART
- 9 OVER VIEW PRODUCT GROUP SEE : 114-94092
- 10 TORQUE MARKING FOR EYELET
- 11 CONCAVE: ADDITIONAL TO PERMISSIBLE DIMENSION TOLERANCE REGULAR COLAPS EACH SIDE 0.7
 Konkav: Zusätzlich zur Maßtoleranz zulässiger gleichmäßiger Einfall 0.7

2141039-1	A	7.38	COVER	PP-T20	BLACK	1
TE PART NO.	REV	WEIGHT [g]	DESCRIPTION	MATERIAL	COLOUR SURFACE	ITEM NO

USED WITH:

TEMPERATURE CLASS: -40 TO 85 °C

VIBRATION CLASS: 1. ON BODY OR CHASSIS

ONLY BASIC DATA FOR DETAIL SEE PRODUCT SPEC

THIS DRAWING IS A CONTROLLED DOCUMENT.

DIMENSIONS: mm	TOLERANCES UNLESS OTHERWISE SPECIFIED: 0 PLC ±0.5 1 PLC ±0.5 2 PLC ±0.5 3 PLC ± 4 PLC ±	FINISH ±2°	MATERIAL SEE TABLE	SEE TABLE
-------------------	--	---------------	-----------------------	-----------

DWN H. NEUMEUER 13SEP2010	CHK R. Hecker 13SEP2010	APVD G. Mumper 13SEP2010	NAME COVER FUSE MODULE TYPE A
PRODUCT SPEC 108-94263			SIZE -
APPLICATION SPEC 114-94090			CAGE CODE A200779
WEIGHT SEE TABLE			DRAWING NO C=2141039
CUSTOMER DRAWING			RESTRICTED TO -

SCALE 2:1 SHEET 1 OF 1 REV A