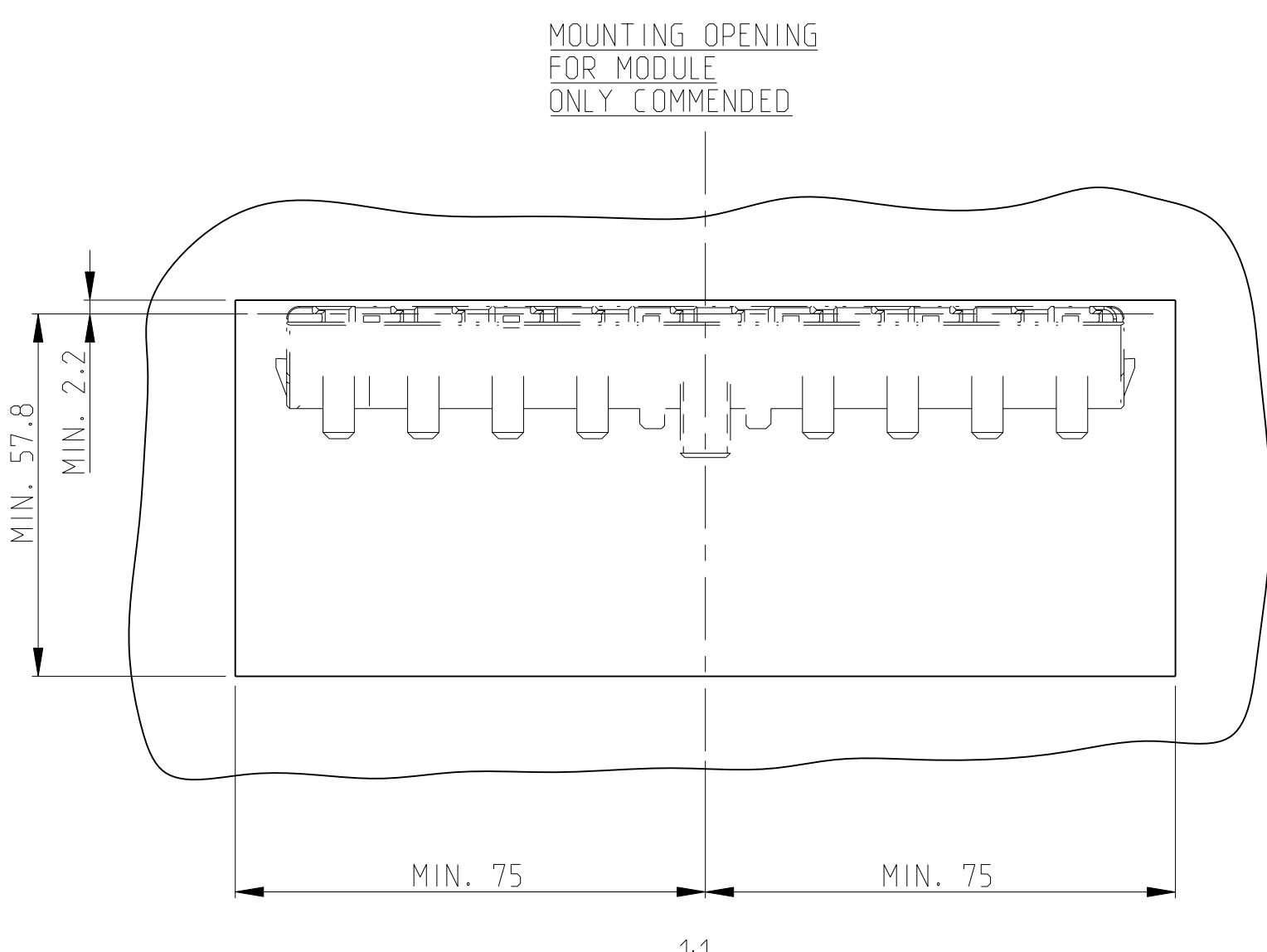
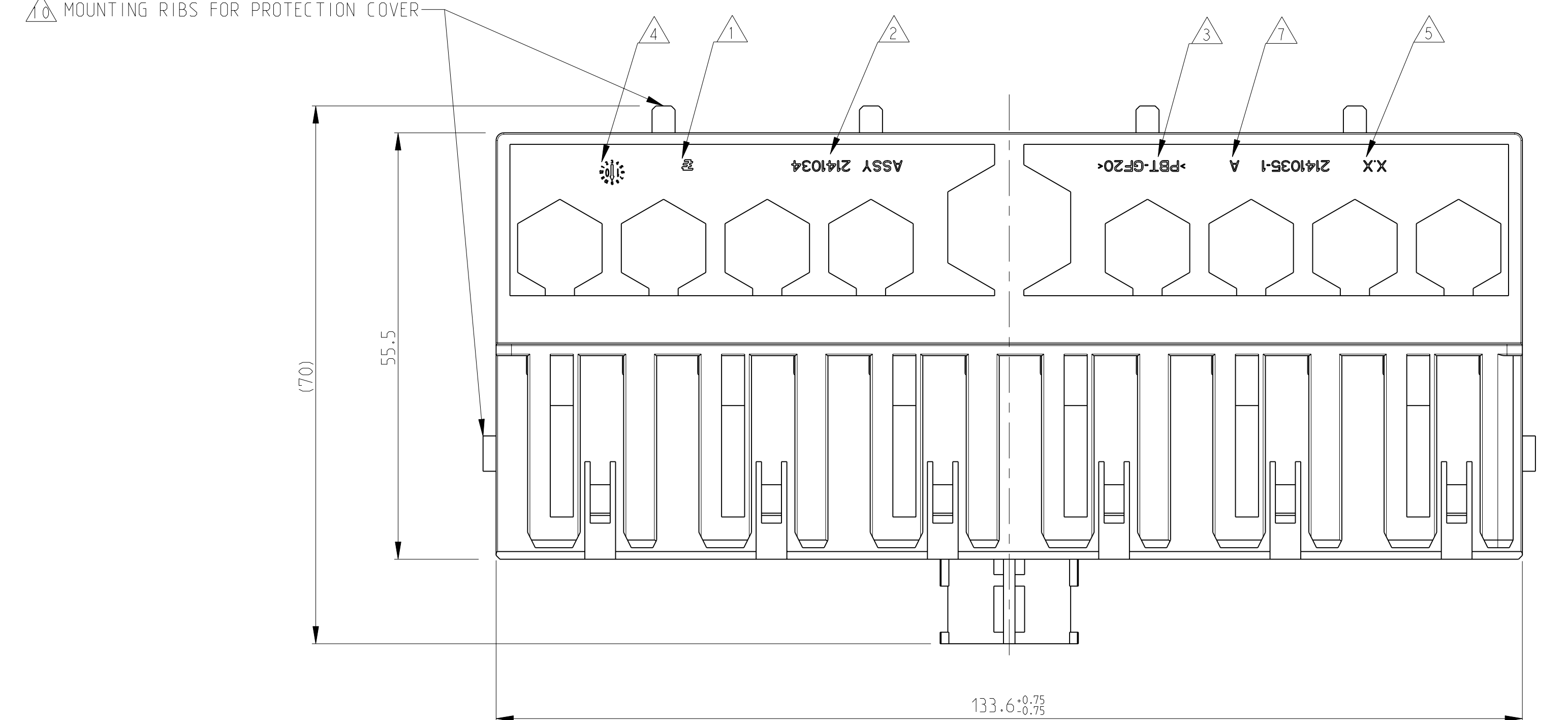
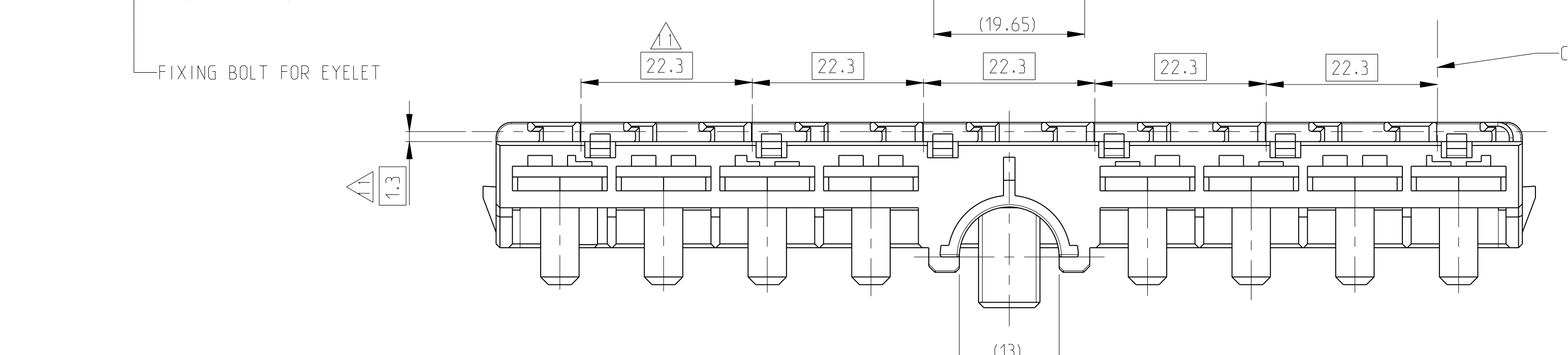
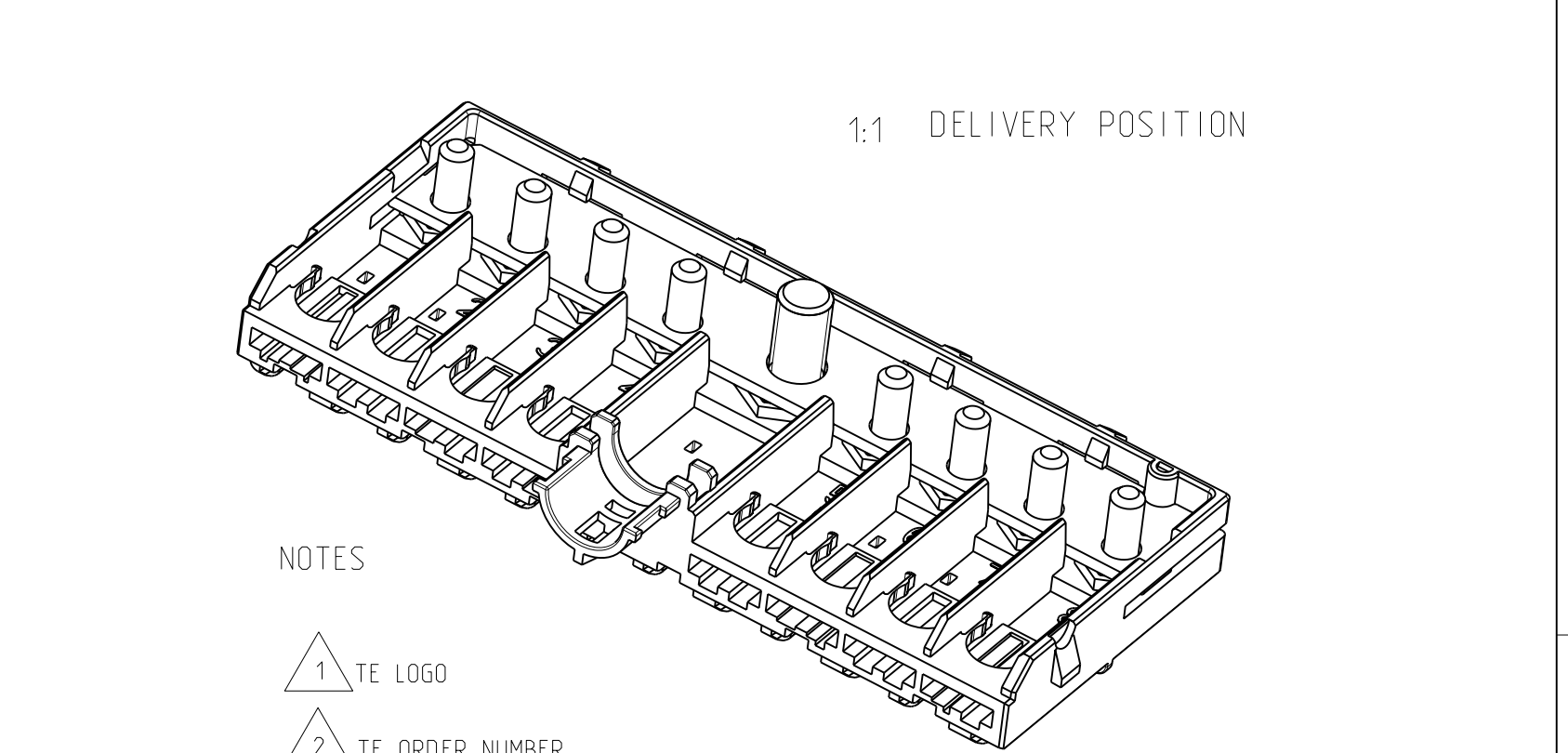
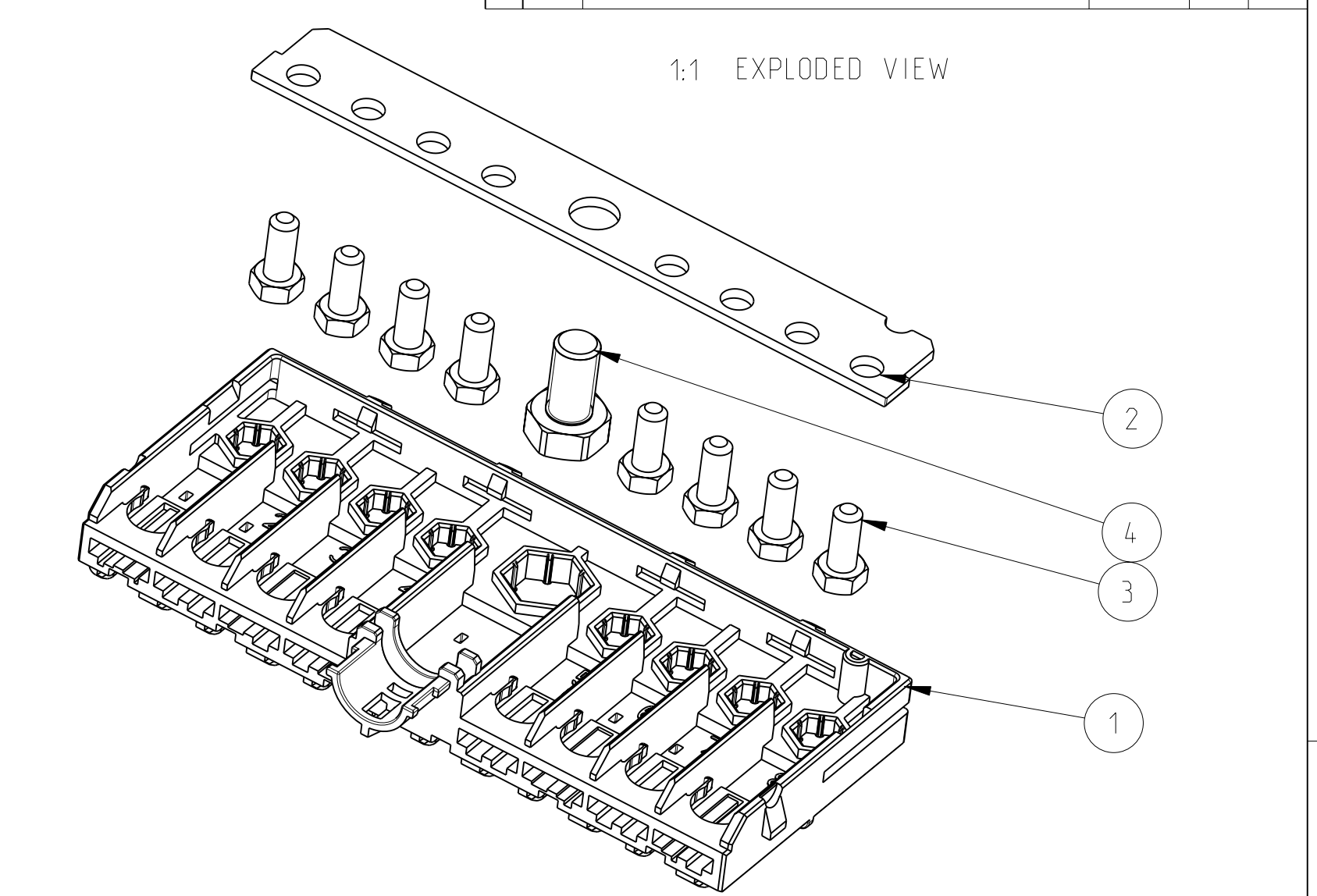
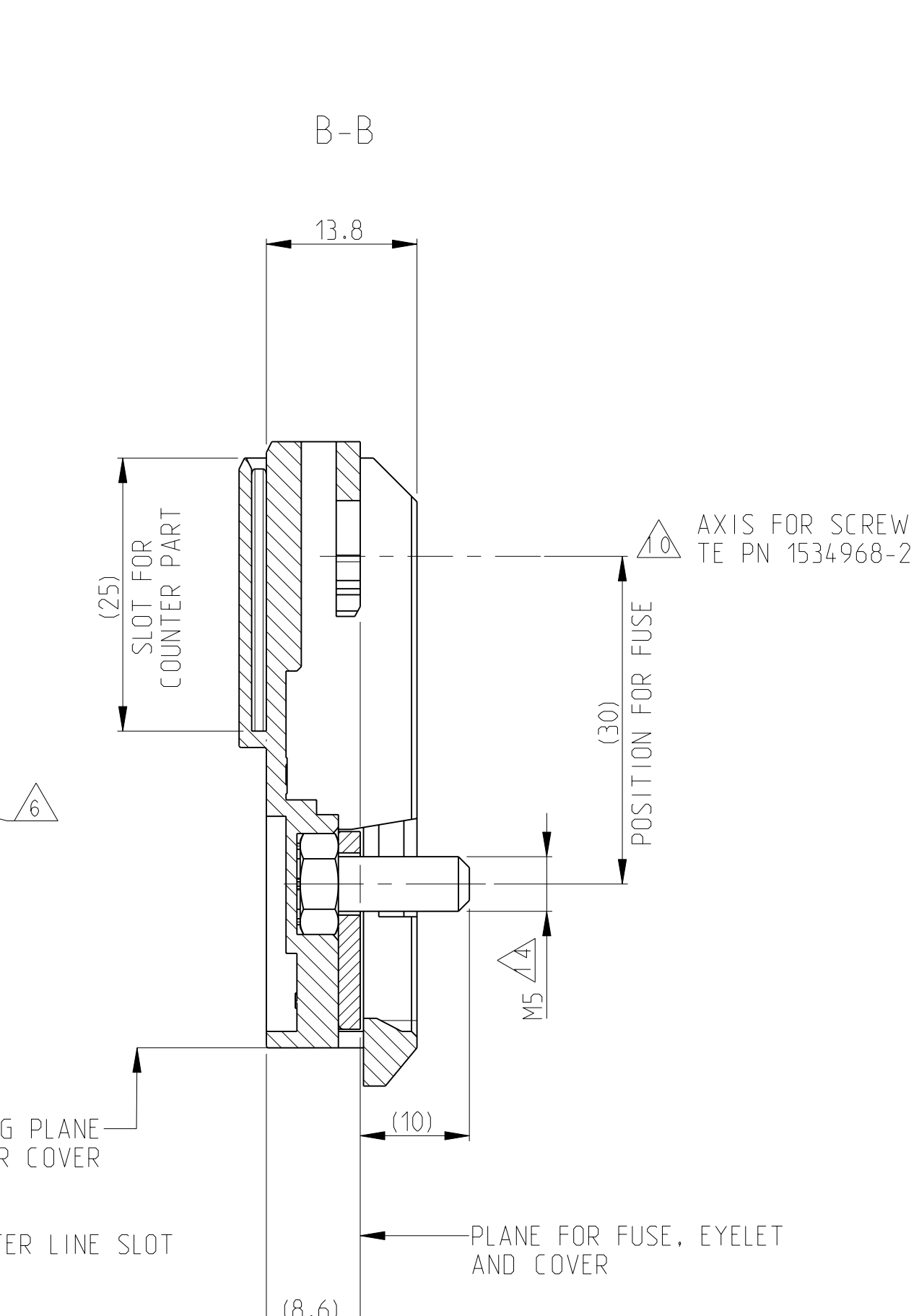
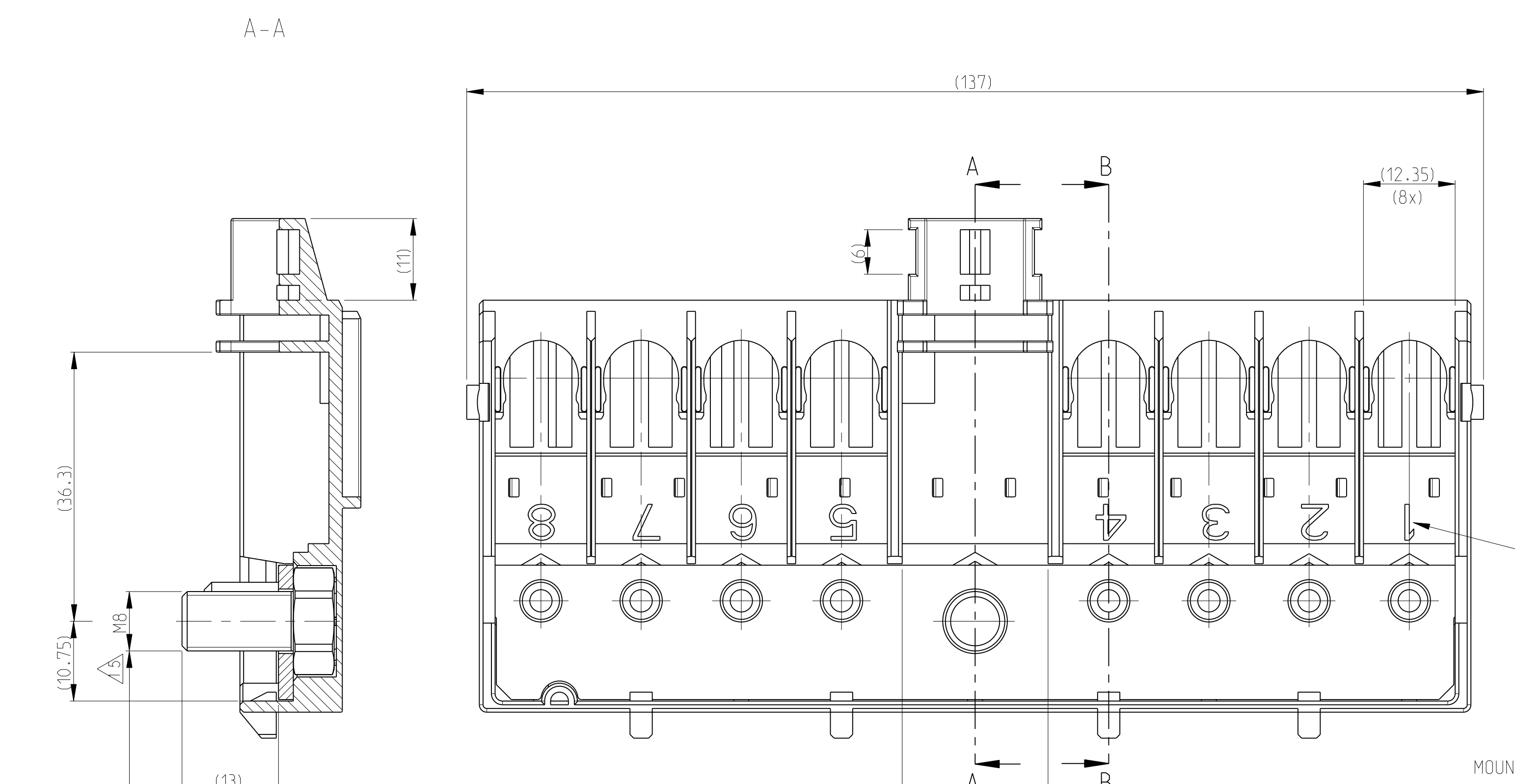


LOC	DIST	REV	DATE	BY	APPV
A1	-	1	11NOV2010	Neu.	-



- NOTES
- 1 TE LOGO
 - 2 TE ORDER NUMBER
 - 3 MATERIAL MARKING
 - 4 PRODUCTION DATE
 - 5 TOOL CAVITY MARKING
 - 6 SLOT MARKING
 - 7 REVISION NUMBER
 - 8 PACKAGING: LAYERS IN CARD BOARD BOX
 - 9 PARTS ARE TO BE FREE OF SCRATCHES, DISCOLORATION, SALT RESIDUE OR OTHER IMPERFECTIONS THAT MAY AFFECT FUNCTION OR FIT OF PART
 - 10 OVER VIEW PRODUCT GROUP SEE : 114-94092
 - 11 SYSTEM PITCH DIMENSION'S FOR MULTIPLE PLUG IN SYSTEM
 - 12 PLEASE NOTE: MAX. CURRENT CARRYING CAPACITY OF MODUL SEE: 108-94263
 - 13 FOR MORE OR ACTUAL INFORMATION ABOUT TERMINALS PLEASE CONTACT SUPPLIER OR TE
 - 14 TIGHTENING TORQUE M5 = 4±0.5 Nm USED WITH WASHER FOR M5
 - 15 TIGHTENING TORQUE M8 = 10±1 Nm USED WITH WASHER FOR M8

TE ORDER NO STRIP FORM	TE ORDER NO LOSE PIECE	SUPPLIER	WIRE RANGE MM ²	MATERIAL	FINISH
719554-2			50 MM ²	Cu	TIN PLATED
719553-2			35 MM ²	Cu	TIN PLATED

RECOMMENDED EYELET SYSTEM: FOR BOLD M8

USED WITH:

ALLOCATED FOR: PRE-FUSE -SF30- 125A MAX.

NOMINAL VOLTAGE SYSTEM: 12V

TEMPERATURE CLASS: -40 TO 85 °C

VIBRATION CLASS: 1, ON BODY OR CHASSIS

SEALED CLASS: 0

ONLY BASIC DATA FOR DETAIL SEE PRODUCT SPEC

TE ASSY NO.	REV	WEIGHT [g]	POS.	QTY.	DESCRIPTION	MATERIAL	COLOR SURFACE	ITEM NO
2141034-1	A	120.93	4	1	HEXAGON SCREW M8x15	STEEL 8.8	ZINCED	4
			3	8	HEXAGON SCREW M5x12	STEEL 8.8	ZINCED	3
			2	1	BUSBAR	CuSn0.15	PRE TINNED	2
			1	1	PRE-FUSE HOUSING	PBT-GF20	BLACK	1

THIS DRAWING IS A CONTROLLED DOCUMENT.

OWNER: R. NEUMEUER 13SEP2010
 CHK: R. HECKER 13SEP2010
 APPV: MUMMER 13SEP2010

NAME: PRE-FUSE -SF30- MODULE
 8POS ASSY

SIZE: CAGE CODE DRAWING NO: 114-94090
 WEIGHT: SEE TABLE
 CUSTOMER DRAWING: A1 00779 C=2141034

RESTRICTED TO: -

SCALE: 5:1 SHEET: 1 OF 1 REV: A1