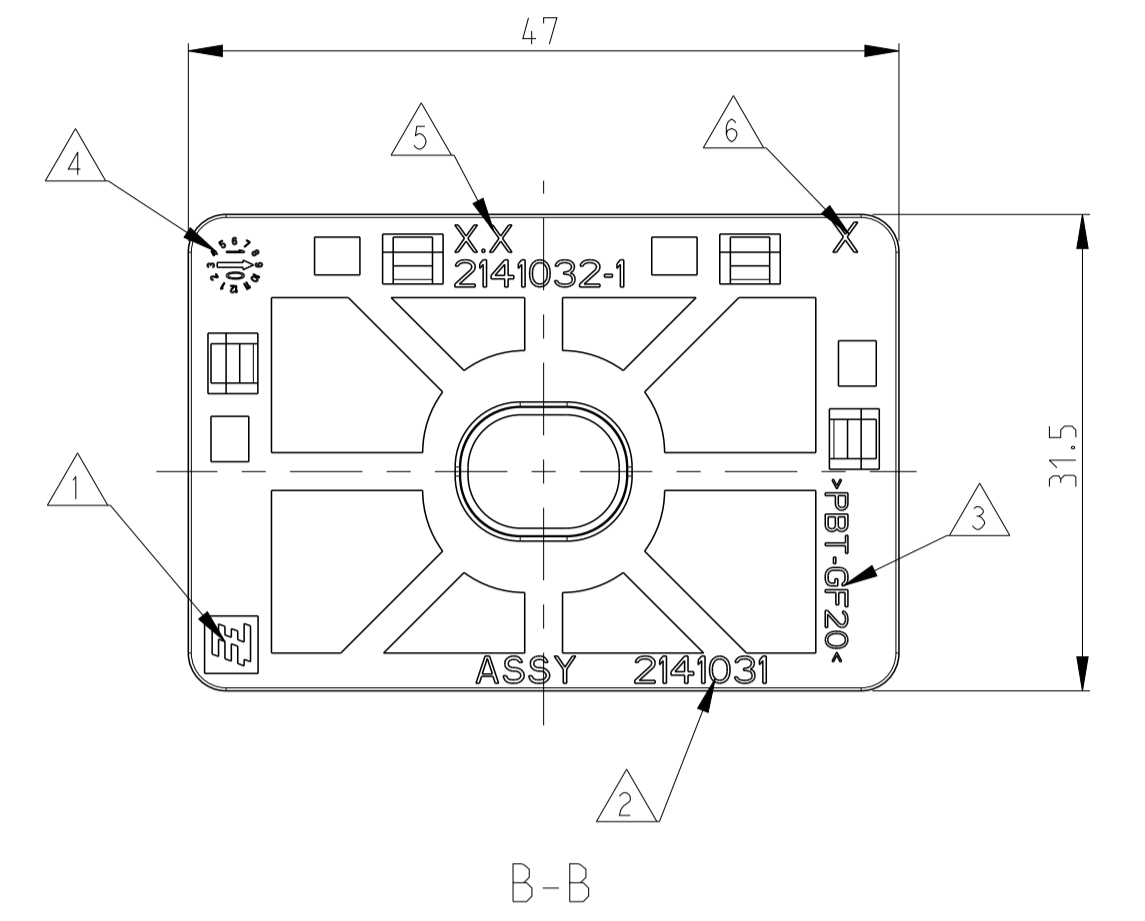
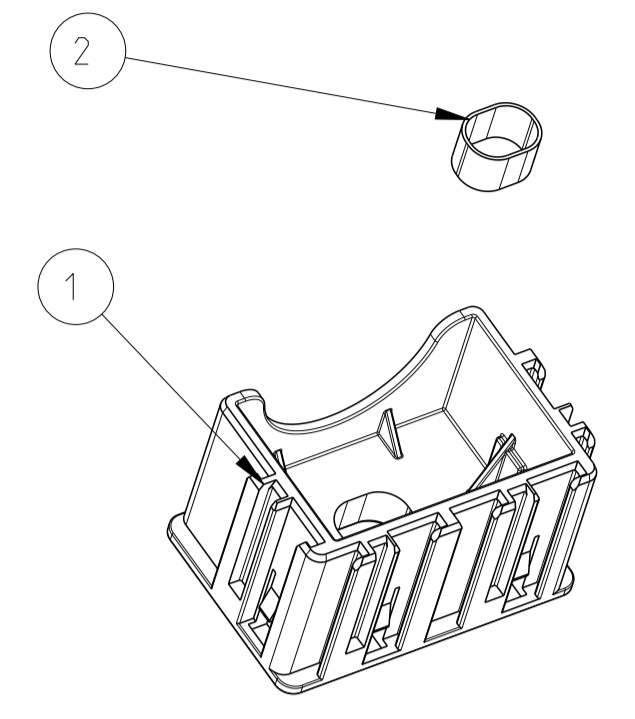


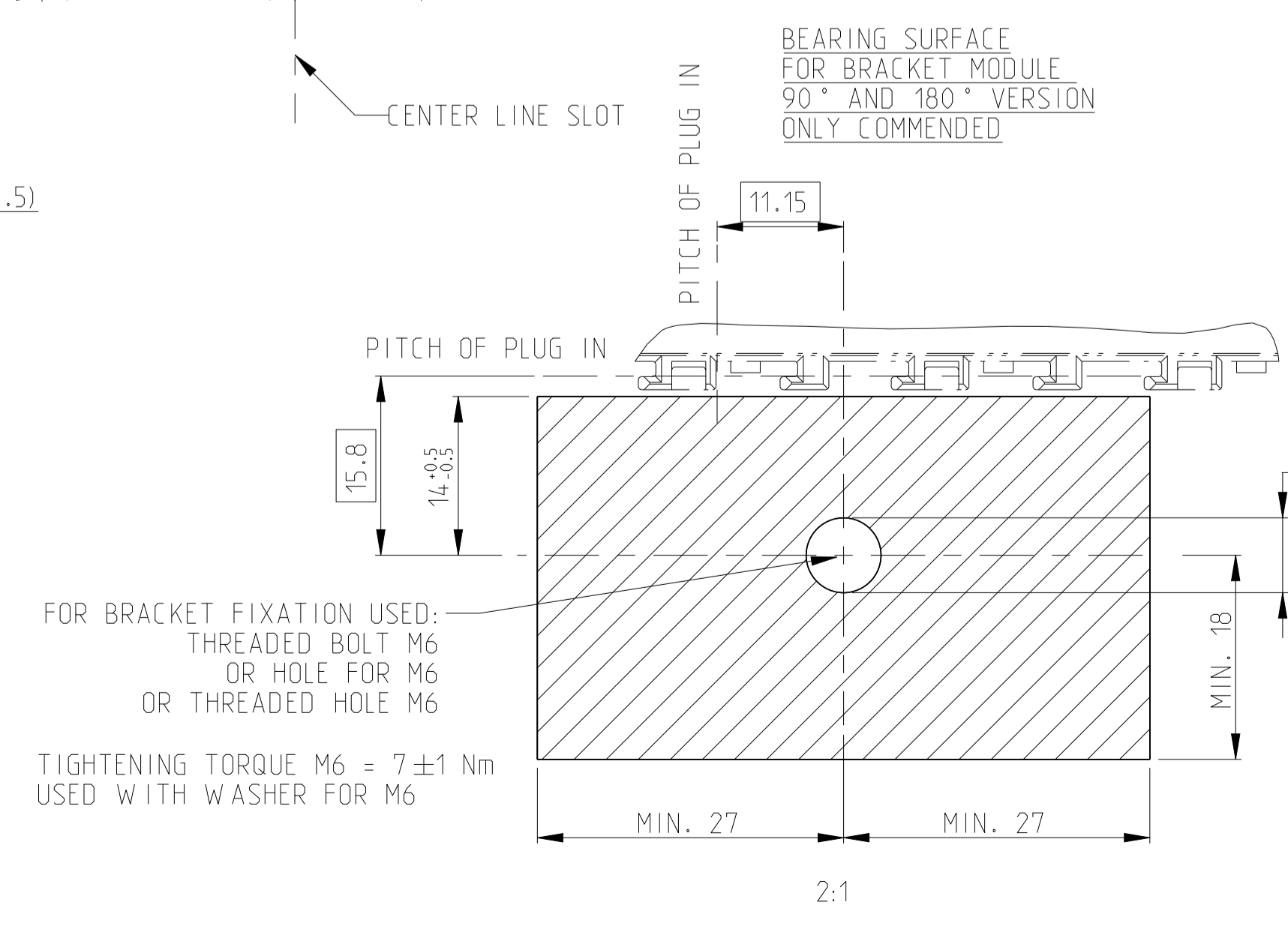
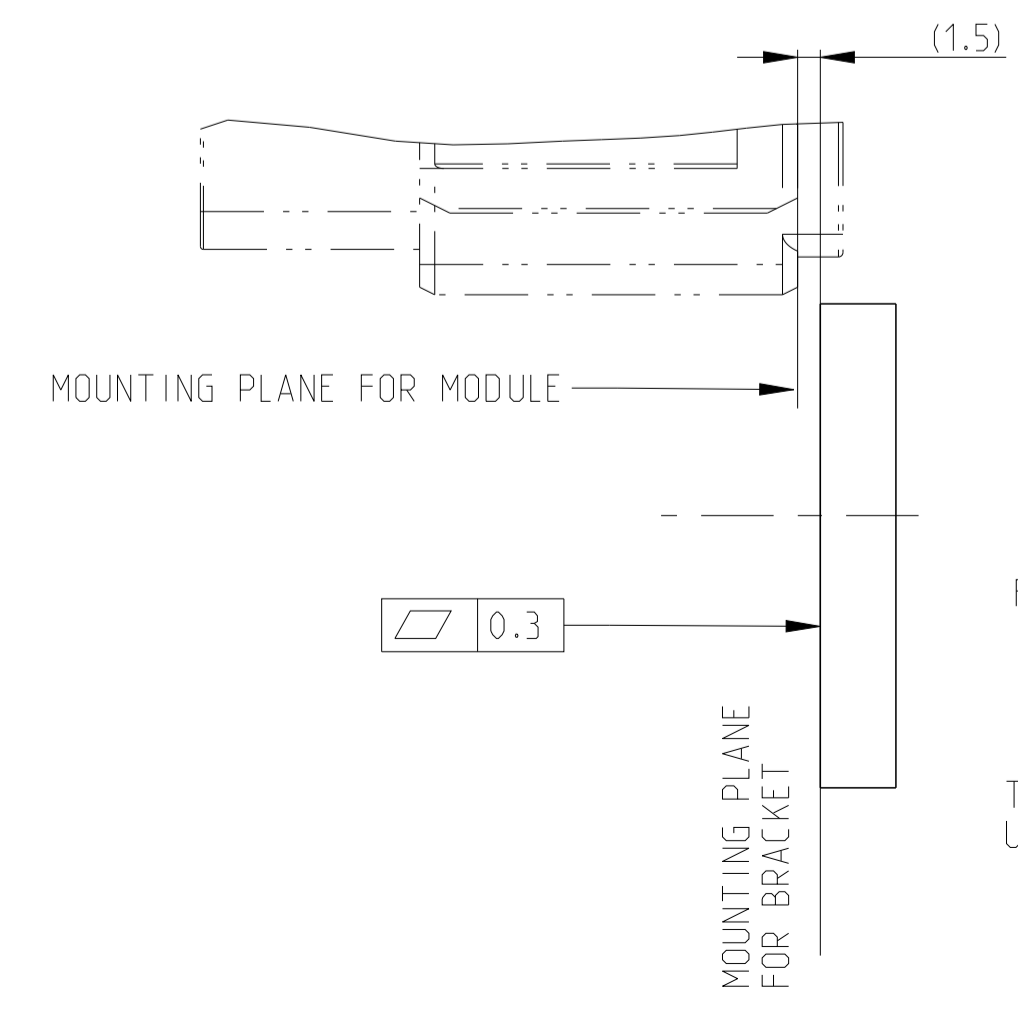
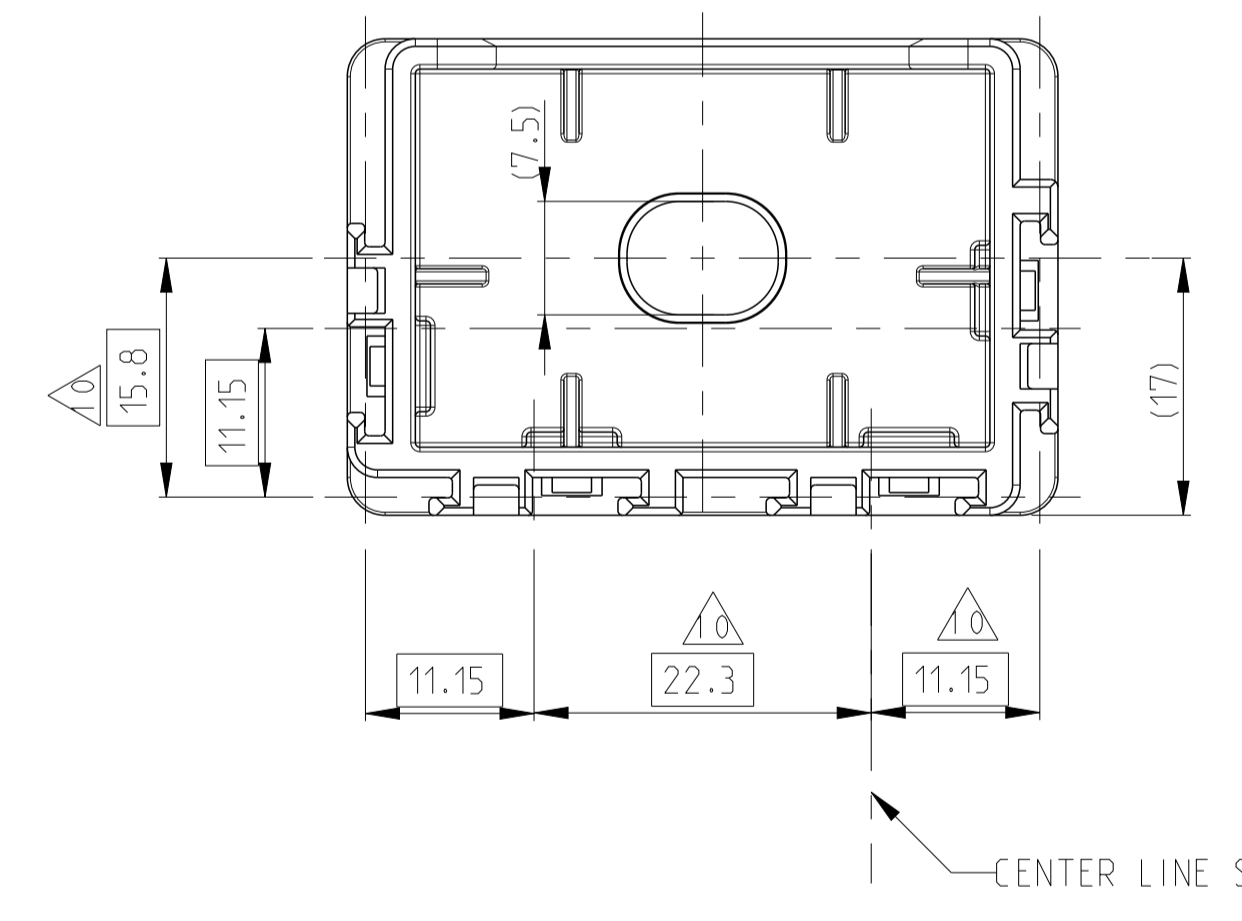
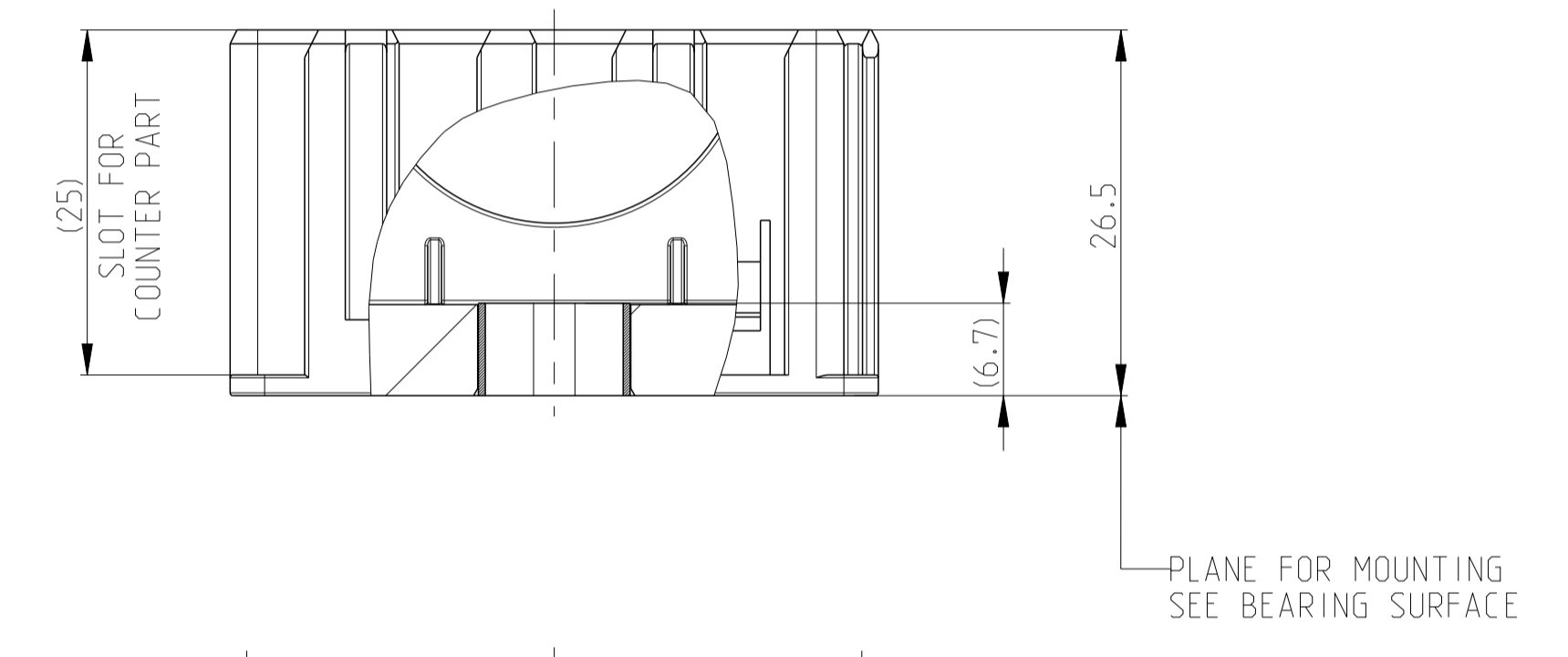
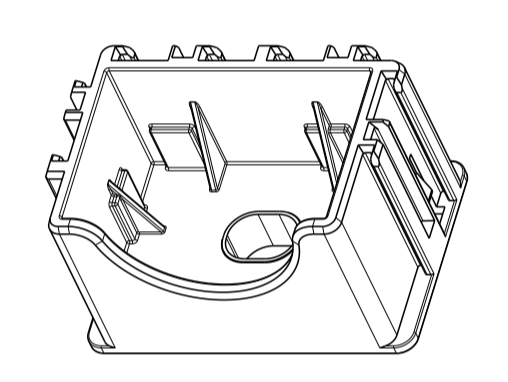
LOC	DIST	REV	DESCRIPTION	DATE	DMN	APVD
A1	-	A	NEW ASSY. NEW DRAWING	13SEP2010	Neu.	-
		A1	SEE E-12-021322	11DEC2012	SK	RH

PN 2141031-1
180° VERSION

1:1 EXPLODED VIEW

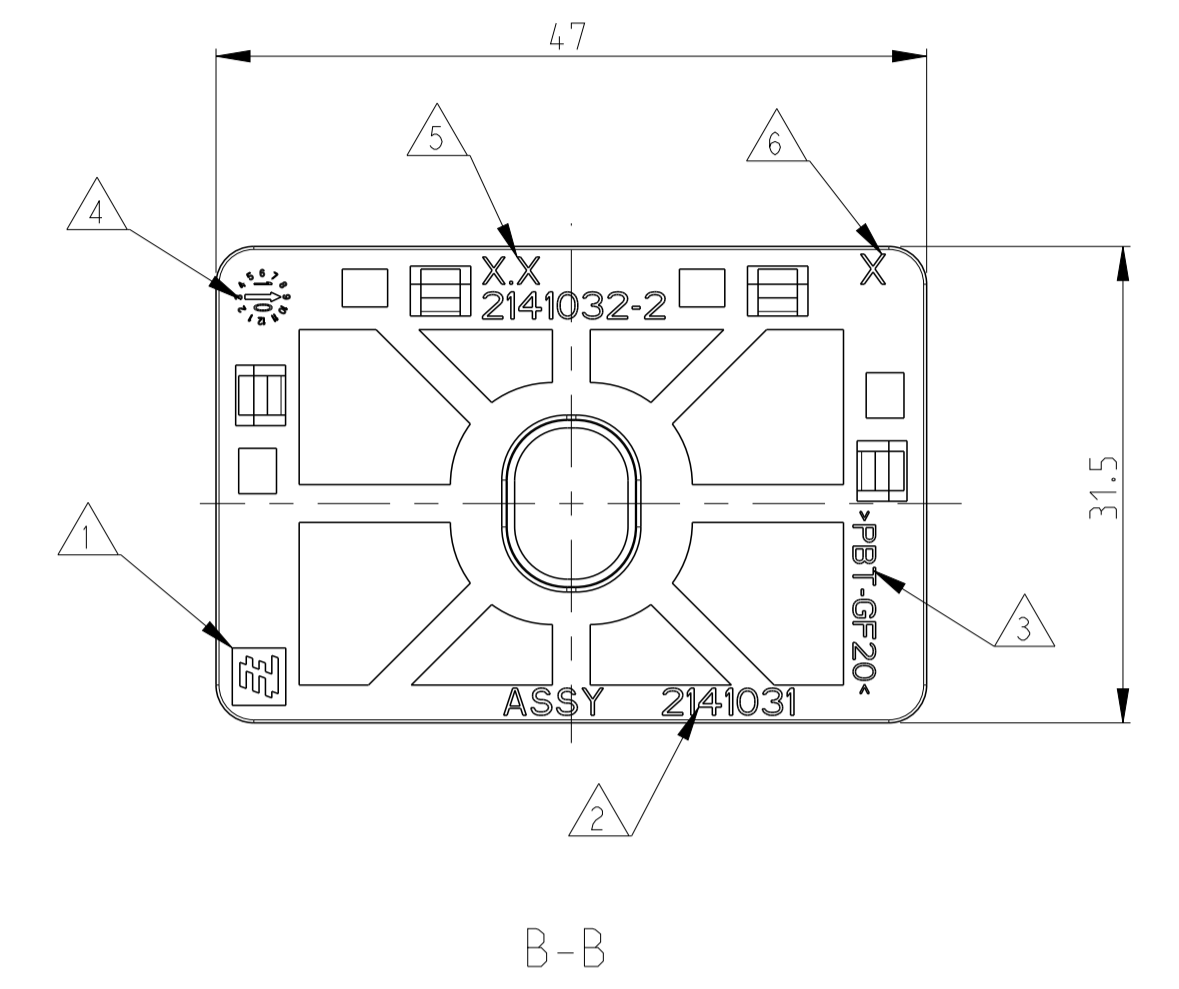
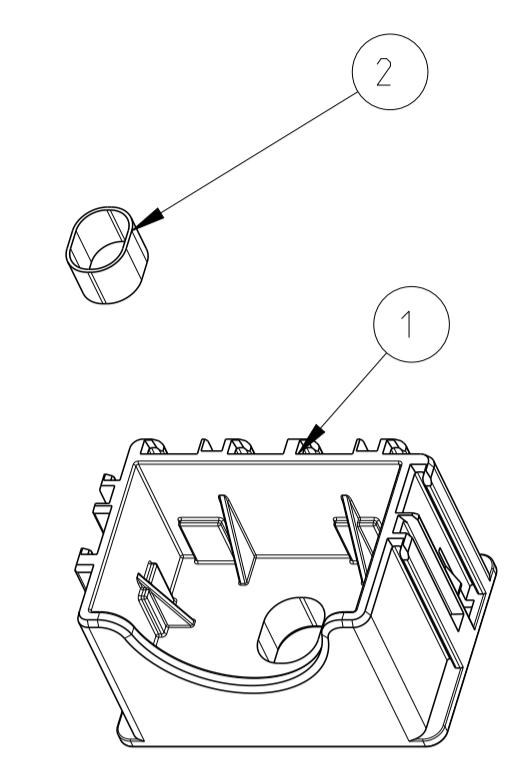


1:1 DELIVERY POSITION

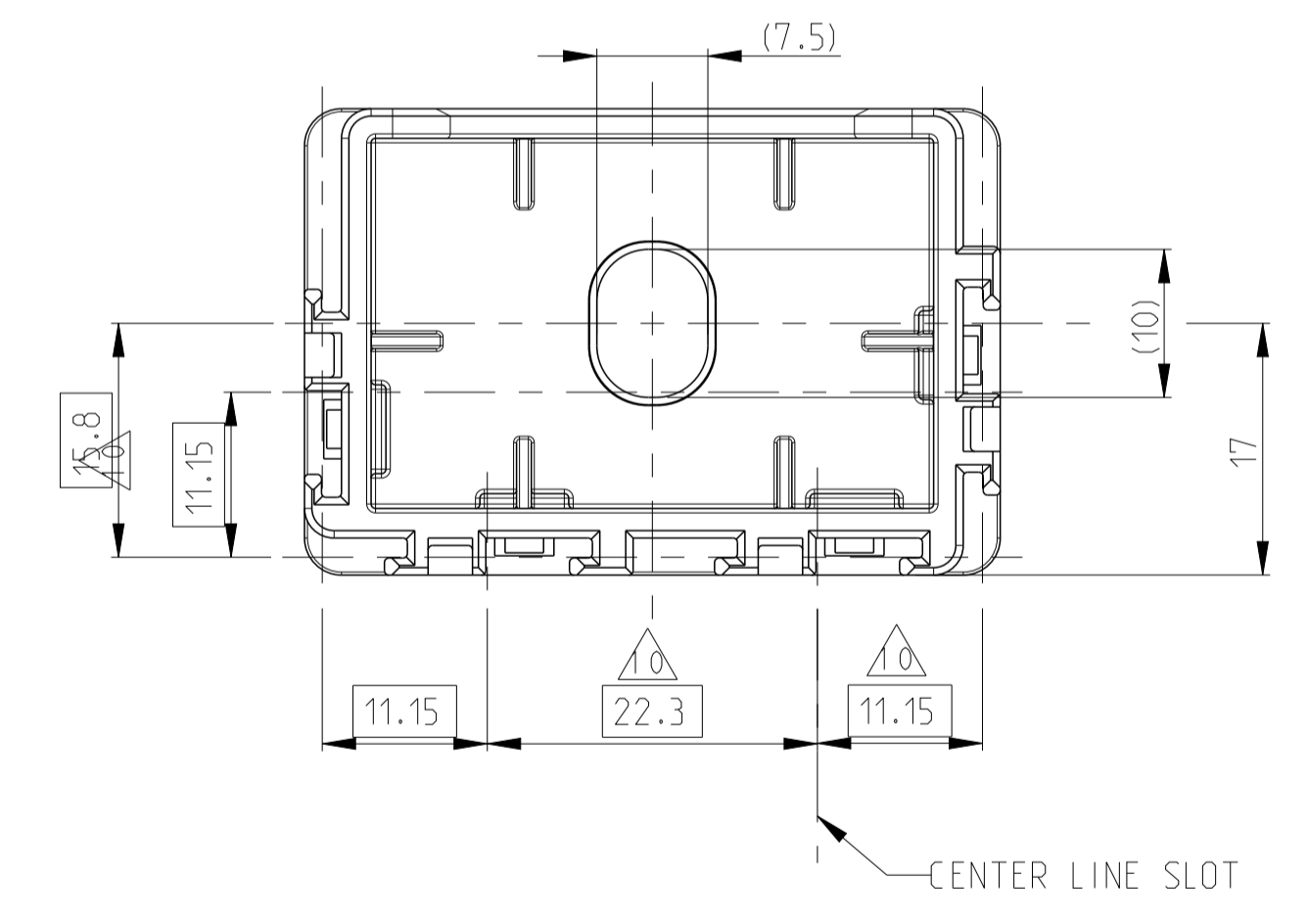
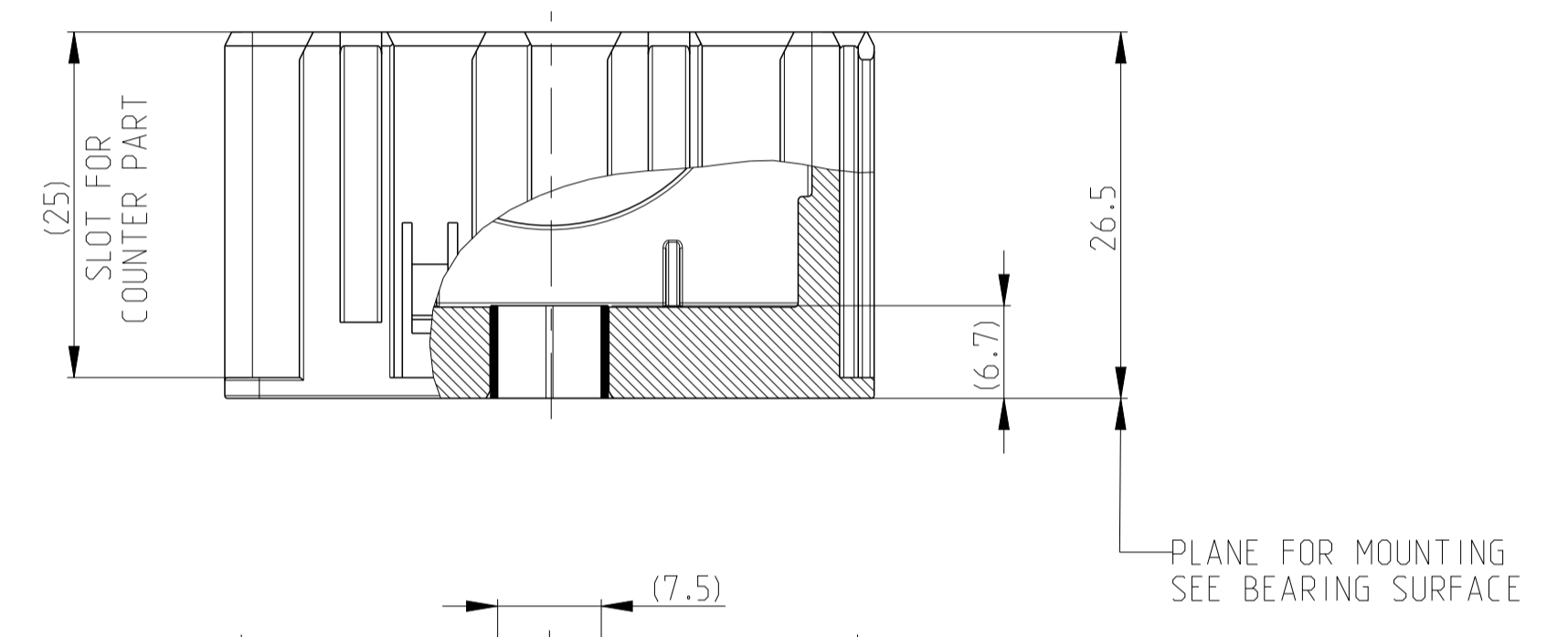
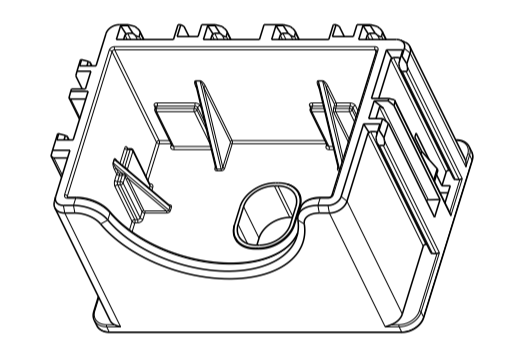


PN 2141031-2
90° VERSION (A1)

1:1 EXPLODED VIEW



1:1 DELIVERY POSITION



- NOTES
- 1 TE LOGO
 - 2 TE ORDER NUMBER
 - 3 MATERIAL MARKING
 - 4 PRODUCTION DATE
 - 5 TOOL CAVITY MARKING
 - 6 REVISION NUMBER
 - 7 PACKAGING: BULK MATERIAL IN CARD BOARD BOX
 - 8 PARTS ARE TO BE FREE OF SCRATCHES DISCOLORATION, SALT RESIDUE OR OTHER IMPERFECTIONS THAT MAY AFFECT FUNCTION OR FIT OF PART
 - 9 OVER VIEW PRODUCT GROUP SEE : 114-94092
 - 10 SYSTEM PITCH DIMENSION'S FOR MULTIPLE PLUG IN SYSTEM

TE ASSY NO.	REV	WEIGHT [g]	POS.	QTY.	DESCRIPTION	MATERIAL	COLOR SURFACE	ITEM NO.
2141031-2	B	18.12	2	1	SLEEVE OVAL	STEEL	ZINCED	4
			1	1	HOUSING 90°	PBT-GF20	BLACK	3
2141031-1	B	18.12	2	1	SLEEVE OVAL	STEEL	ZINCED	2
			1	1	HOUSING 180°	PBT-GF20	BLACK	1

USED WITH: 9

TEMPERATURE CLASS: -40 TO 85 °C

VIBRATION CLASS: 1, ON BODY OR CHASSIS

ONLY BASIC DATA FOR DETAIL SEE PRODUCT SPEC

THIS DRAWING IS A CONTROLLED DOCUMENT. OWN: H. NEUMEUER 13SEP2010, CHK: R. HECKER 13SEP2010, APVD: G. MUMMER 13SEP2010

DIMENSIONS: mm, TOLERANCES UNLESS OTHERWISE SPECIFIED: 0 PLC ±0.5, 1 PLC ±0.5, 2 PLC ±0.5, 3 PLC ±, 4 PLC ±, ANGLES ±, FINISH SEE TABLE

MATERIAL: SEE TABLE

NAME: BRACKET MODULE ASSY

SIZE: A1, CAGE CODE: 00779, DRAWING NO: 2141031

SCALE: 2:1, SHEET: 1 OF 1, REV: A1

TE Connectivity