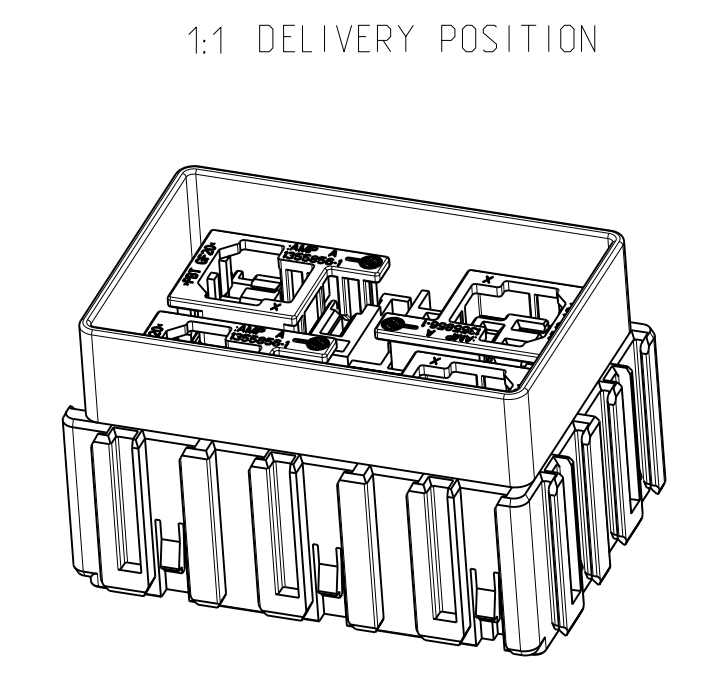
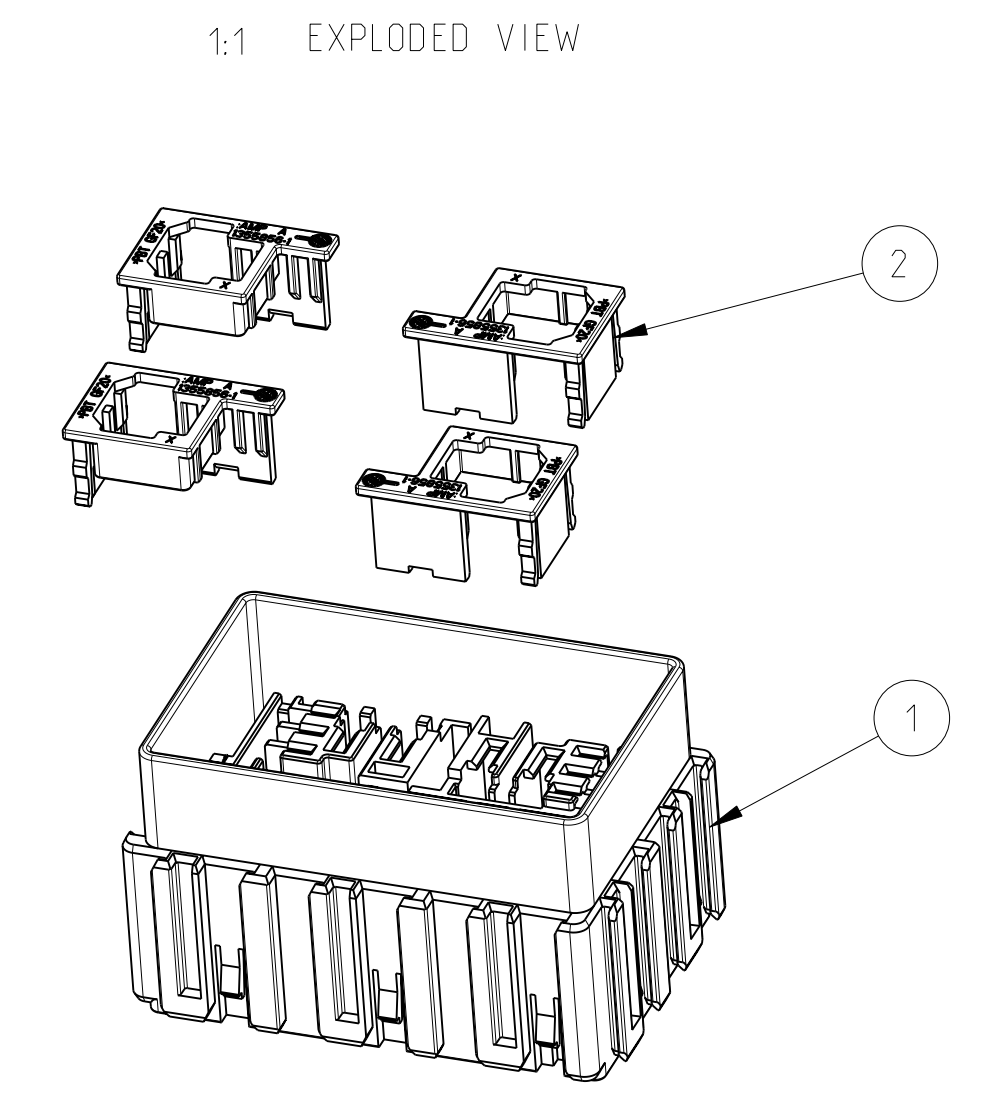
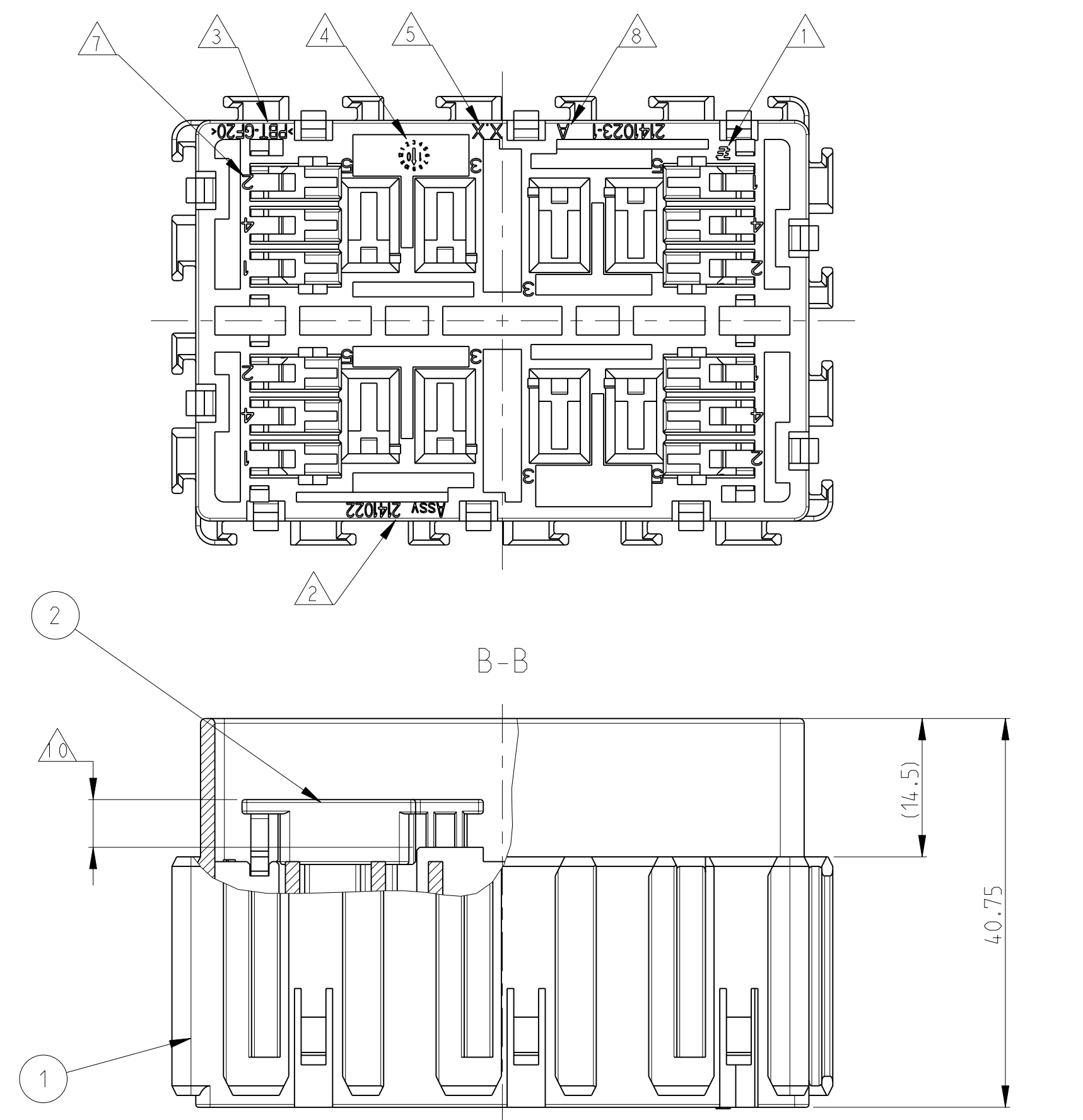
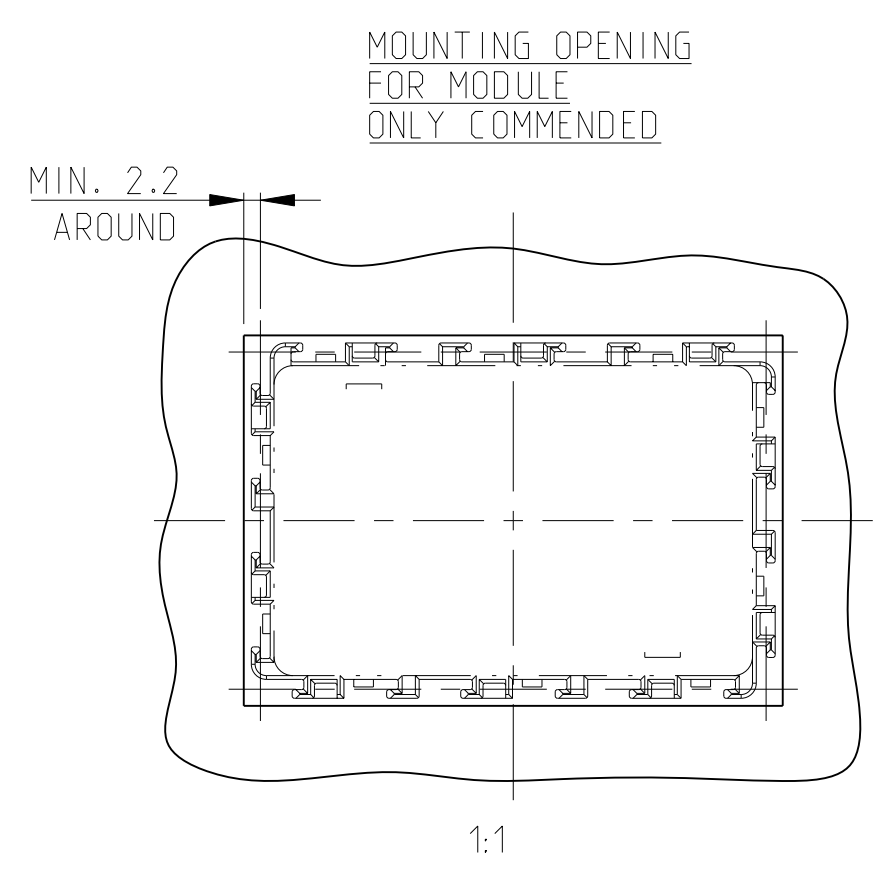


LOC	DIST	REVISIONS			
P	LTR	DESCRIPTION	DATE	DWN	APVD
A		NEW ASSY. NEW DRAWING	13SEP2010	Neu.	-
A1		SEE ECR-12-011721	28JUN2012	SK	RH



NOTES

- 1 TE LOGO
- 2 TE ORDER NUMBER
- 3 MATERIAL MARKING
- 4 PRODUCTION DATE
- 5 TOOL CAVITY MARKING
- 6 SLOT MARKING
- 7 CAVITY MARKING
- 8 REVISION NUMBER
- 9 PACKAGING: LAYERS IN CARD BOARD BOX
- 10 SPACER FOR ALL RELAYS IN PRE LATCHED POSITION
- 11 PARTS ARE TO BE FREE OF SCRATCHES DISCOLORATION, SALT RESIDUE OR OTHER IMPERFECTIONS THAT MAY AFFECT FUNCTION OR FIT OF PART
- 12 FOR MORE OR ACTUAL INFORMATION ABOUT TERMINALS PLEASE CONTACT SUPPLIER OR TE
- 13 OVER VIEW PRODUCT GROUP SEE : 114-94092
- 14 SYSTEM PITCH DIMENSION'S FOR MULTIPLE PLUG IN SYSTEM
- 15 PLEASE NOTE: MAX. CURRENT CARRYING CAPACITY OF MODULE SEE: 108-94263



TE ORDER NO	TE ORDER NO	SUPPLIER	WIRE CODE	MATERIAL	FINISH
STRIP FORM	LOSE PIECE	MOLEX			
		33113-0006		Cu	TIN
2208342-1		33113-0005	14.16	Cu	TIN
2208342-2		33113-0003	18.20	Cu	TIN
		33113-0002		Cu	TIN
		33113-0001		Cu	TIN

RECOMMENDED TERMINAL SYSTEM: 4.8 MM

TE ORDER NO	TE ORDER NO	SUPPLIER	WIRE CODE	MATERIAL	FINISH
STRIP FORM	LOSE PIECE	LEAR			
		361730-YF200	(2)22 (2)24	Cu	PRE TIN PLATED
		362230-YF200	22-24	Cu	PRE TIN PLATED
2208343-1		361330-YF200	(1)16-(1)18 (2)20	Cu	PRE TIN PLATED
		361130-YF200	(2)14	Cu	PRE TIN PLATED
2208343-2		361430-YF200	14-16	Cu	PRE TIN PLATED
2208343-3		361030-YF200	10-12	Cu	PRE TIN PLATED

RECOMMENDED TERMINAL SYSTEM: 6.3 MM

USED WITH:

ALLOCATED FOR: MICRO RELAY 20A MAX.

NOMINAL VOLTAGE SYSTEM: 12V

TEMPERATURE CLASS: -40 TO 85 °C

VIBRATION CLASS: 1. ON BODY OR CHASSIS

SEALED CLASS: 0

ONLY BASIC DATA FOR DETAIL SEE PRODUCT SPEC

214-1022-1	A	63.94	2	4x	SPACER	PBT-GF20	RED	2
TE ASSY NO.	REV	WEIGHT (g)	POS.	QTY.	DESCRIPTION	MATERIAL	COLOUR SURFACE	ITEM NO.
			1	1x	HOUSING	PBT-GF20	BLACK	1

THIS DRAWING IS A CONTROLLED DOCUMENT.

DIMENSIONS:	TOLERANCES UNLESS OTHERWISE SPECIFIED:	DWN	13SEP2010
mm	0 PLC ±0.5	CH	13SEP2010
	1 PLC ±0.5	R.	13SEP2010
	2 PLC ±0.5	HECKER	
	3 PLC ±0.5	LS. NUMBER	13SEP2010
	4 PLC ±0.5	APVD	
	ANGLES ±0.2°	PRODUCT SPEC	
MATERIAL	FINISH	NAME	TE Connectivity
SEE TABLE	SEE TABLE	MICRO RELAY MODULE	
		4POS ASSY	
		SIZE	114-94090
		WEIGHT	114-94090
		SCALE	1:1
		SHEET	1 OF 1
		REV	A1