

LOC	DIST	REVISIONS			
P	LTR	DESCRIPTION	DATE	DWN	APVD
	0	RELEASED PER NPR 5705	24 APR 98	-	-
	A	ADDED -2 PER EC 0G1C-147-98	17 SEP 98	PB	GS
	A1	REVISED PER ECO-09-020689	28AUG09	KK	AEQ

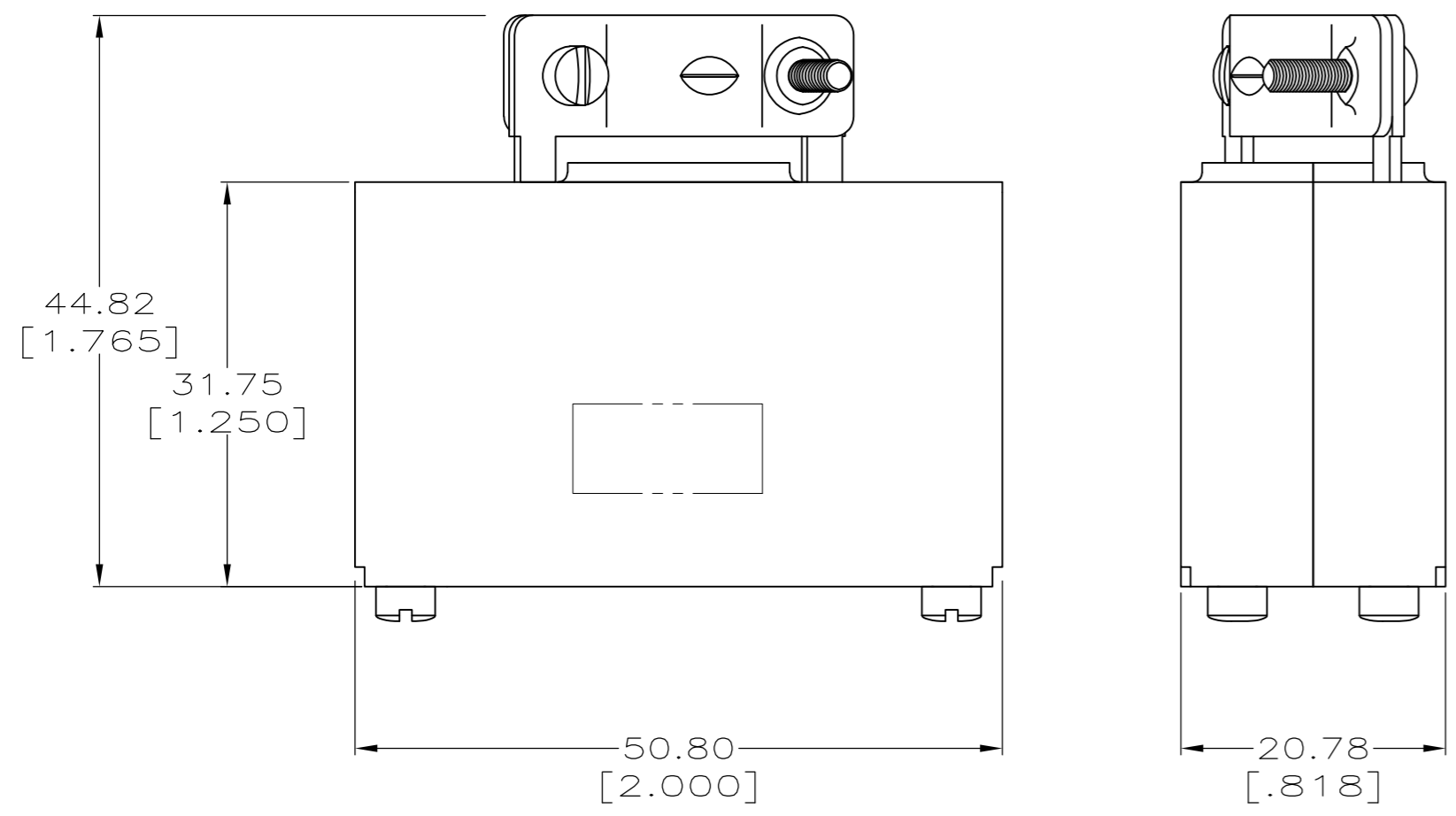
- ① CABLE CLAMP WILL ACCEPT 34 WIRES OF 1.78 [.070] MAX DIA.
- ② CABLE CLAMP WILL ACCEPT CABLE DIAMETERS BETWEEN 5.08-7.62 [.200-.300].
- ③ OBSOLETE PARTS: OBSOLETE CIS STREAMLINING PER D.RENAUD/D.SINISI

CABLE CLAMP  
 MATERIAL: CARBON STEEL  
 FINISH: 5.08μm [.000200] MIN NICKEL  
 2 EACH

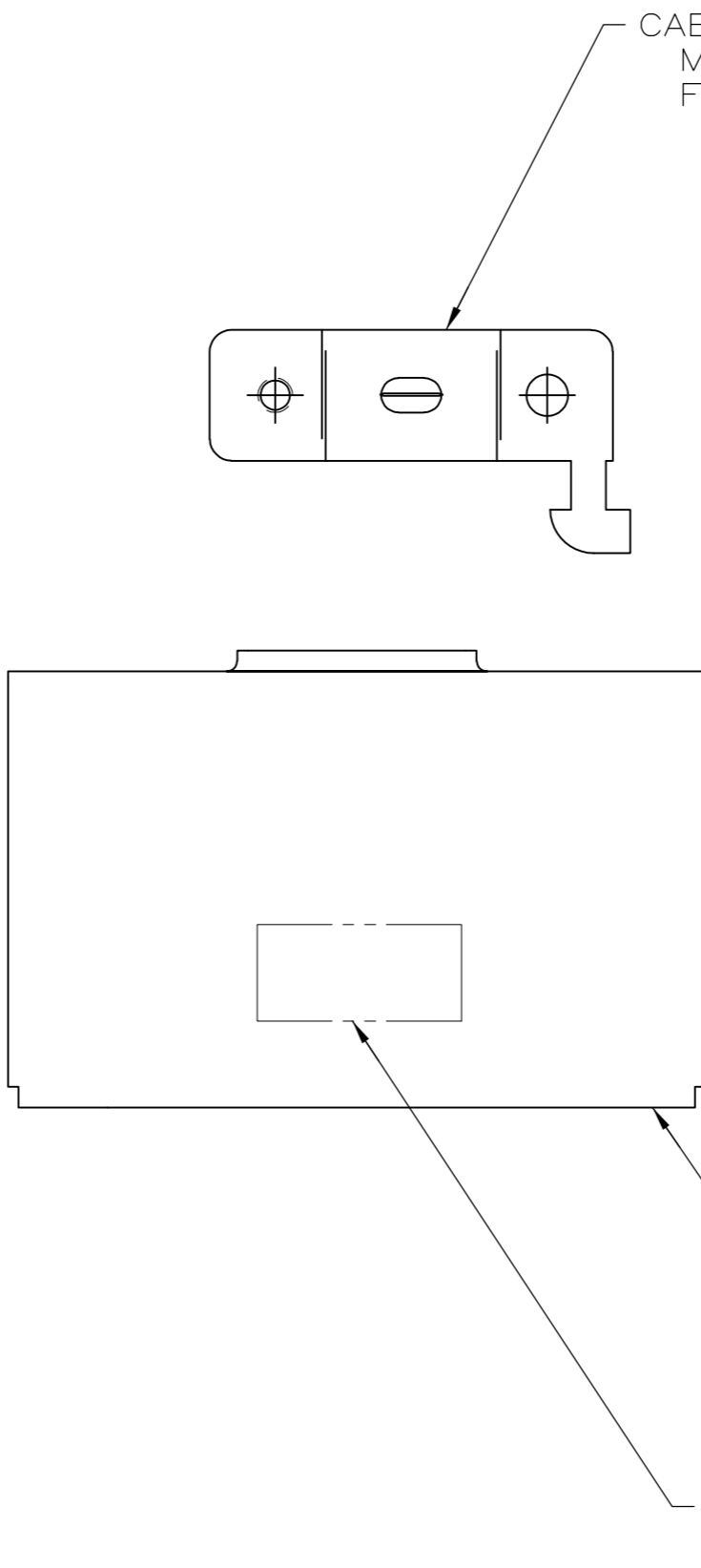
4-40 UNC-2A FILLISTER HEAD SCREW  
 MATERIAL: CARBON STEEL  
 FINISH: ZINC  
 6 EACH

SHIELD  
 MATERIAL: CARBON STEEL  
 FINISH: 5.08μm [.000200] MIN NICKEL  
 2 EACH

AMP, PART NUMBER AND DATE CODE  
 IN THIS AREA



ASSEMBLED VIEW



③ OBSOLETE	②	213981-2
	①	213981-1
	NOTE	PART NUMBER

THIS DRAWING IS A CONTROLLED DOCUMENT.		DWN C.DORWART 24 APR 98	AMP Incorporated Harrisburg, PA 17105-3608	
DIMENSIONS: mm [INCHES]		CHK M.McALONIS 27 APR 98	NAME	
TOLERANCES UNLESS OTHERWISE SPECIFIED:		APVD M.McALONIS 27 APR 98	PRODUCT SPEC	
0 PLC ±-		APPLICATION SPEC		
1 PLC ±-		WEIGHT		
2 PLC ±0.38 [.015]		SIZE CAGE CODE DRAWING NO RESTRICTED TO		
3 PLC ±-		A2 00779 C- 213981		
4 PLC ±-		SCALE 2:1 SHEET 1 OF 1 REV A1		
ANGLES ±-		CUSTOMER DRAWING		
MATERIAL SEE CALLOUTS		FINISH SEE CALLOUTS		