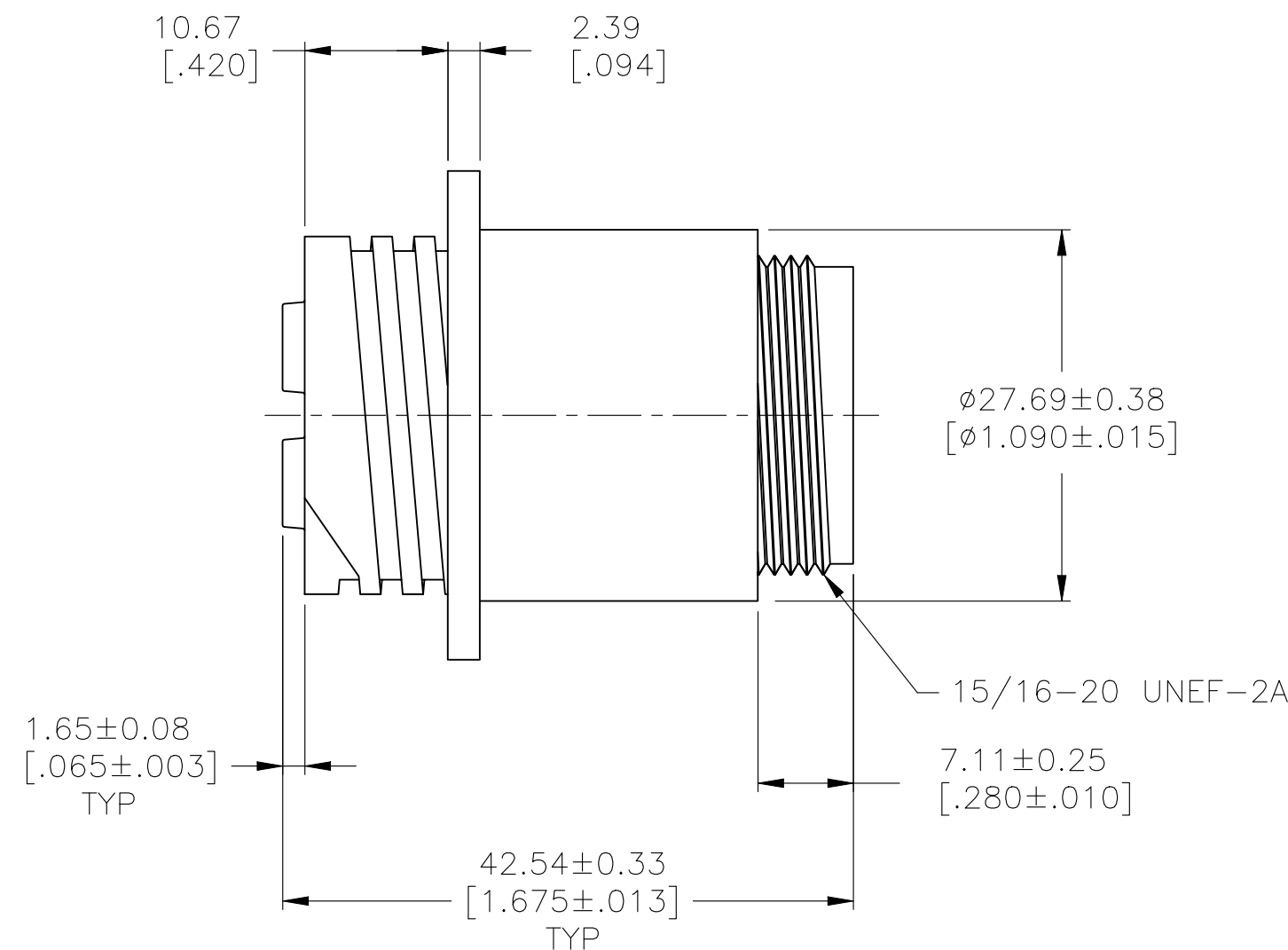
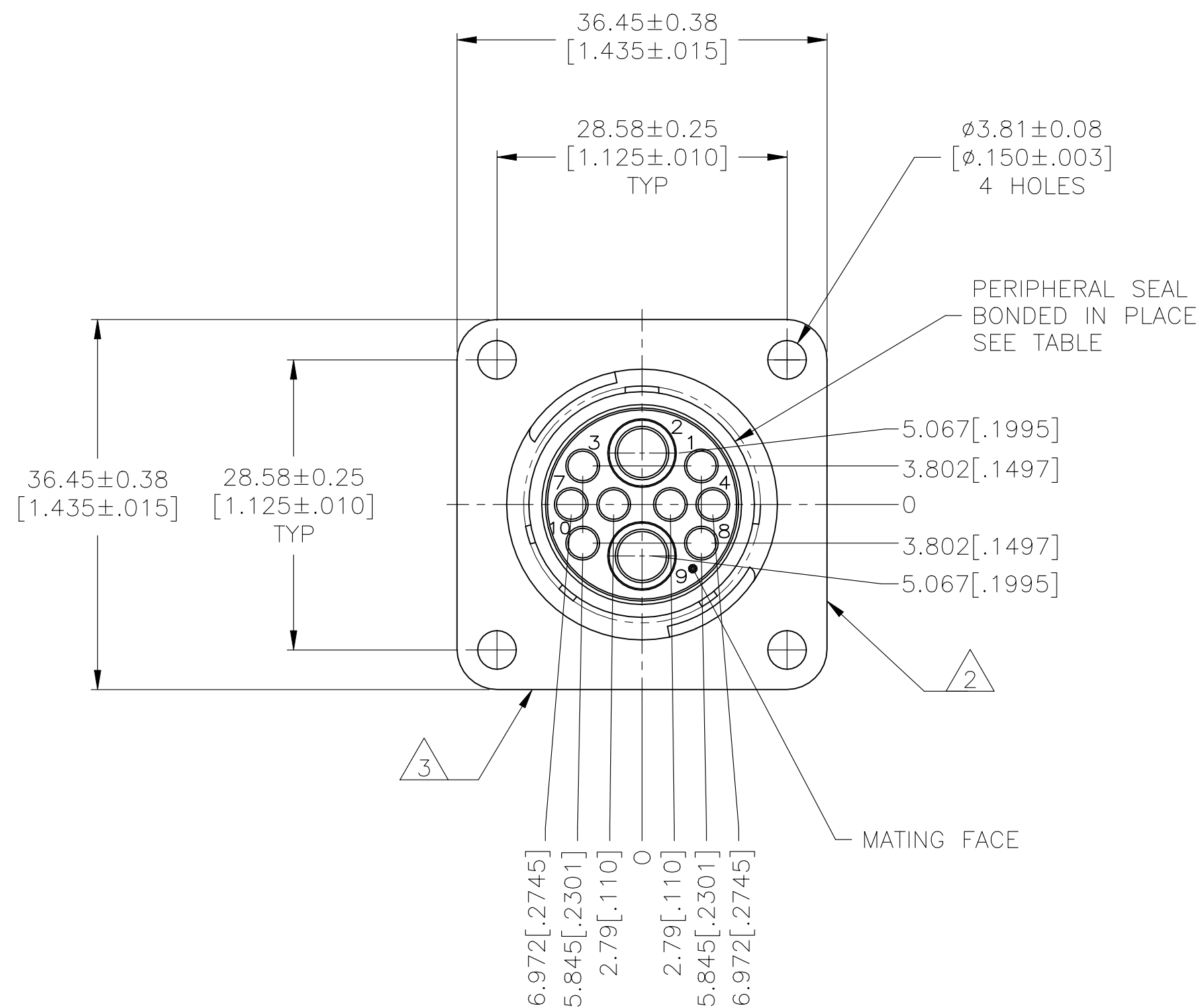
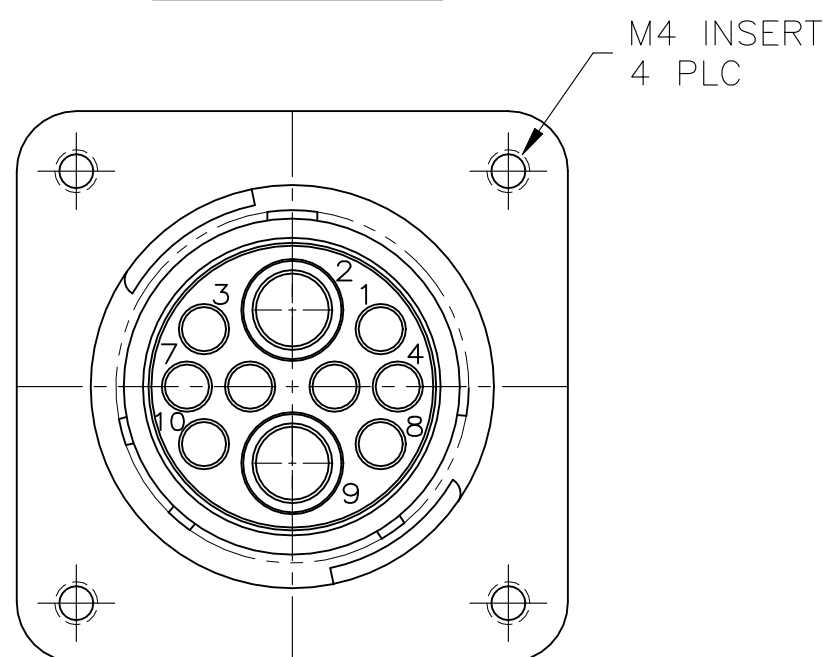


REVISIONS				
P	LTR	DESCRIPTION	DATE	APVD
E		REVISED PER ECO-21-006943	13OCT2021	RK MZ



213893-1 & 2



213893-3

- 1 OBSOLETE PARTS: OBSOLETE CIS STREAMLINING PER D.RENAUD/D.SINISI
- 2 PART NUMBER, DATE CODE AND COUNTRY OF MANUFACTURE MARKED ON ANY FLANGE EDGE.
- 3 TE LOGO AND PART NUMBER LOCATED ON ANY FLANGE EDGE SEE CHART.

213893-2	213893-1	NO	YES	213893-2
-	213893-1	NO	NO	213893-1
PART NUMBER LASER MARKED OR INK STAMPED ON HOUSING	PART NUMBER MOLDED INTO HOUSING	THREADED INSERTS	PERIPHERAL SEAL	PART NUMBER

THIS DRAWING IS A CONTROLLED DOCUMENT.		DWN D.HARDY 06/27/95		RECEPTACLE HOUSING, REVERSE SEX, SERIES 6, 17-10, CIRCULAR PLASTIC CONNECTOR		
DIMENSIONS: mm		CHK R.STONE 06/29/95		NAME		
TOLERANCES UNLESS OTHERWISE SPECIFIED:		APVD A.FRANTUM 06/29/95		PRODUCT SPEC		
0 PLC ± - 1 PLC ± - 2 PLC ± 0.13 [.005] 3 PLC ± 0.013 [.0005] 4 PLC ± - ANGLES ± -		APPLICATION SPEC 108-1579	SIZE A2	CAGE CODE 00779	DRAWING NO C=213893	
MATERIAL NYLON, BLACK	FINISH -	WEIGHT -	SCALE 2:1	SHEET 1 of 1	REV E	