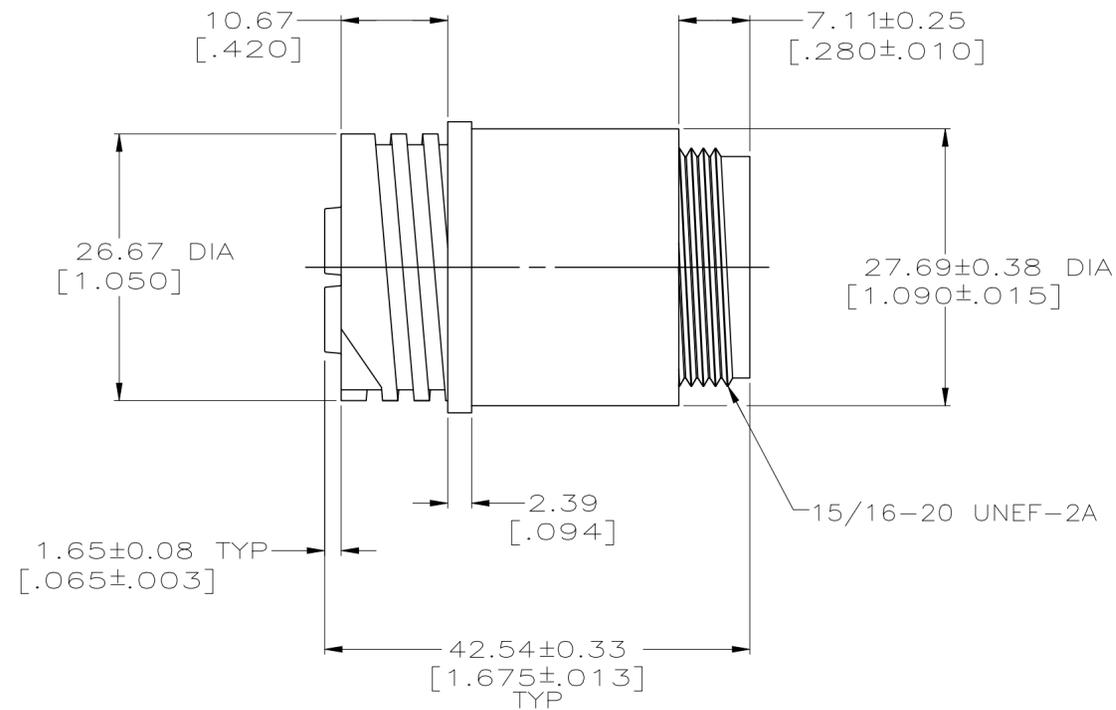
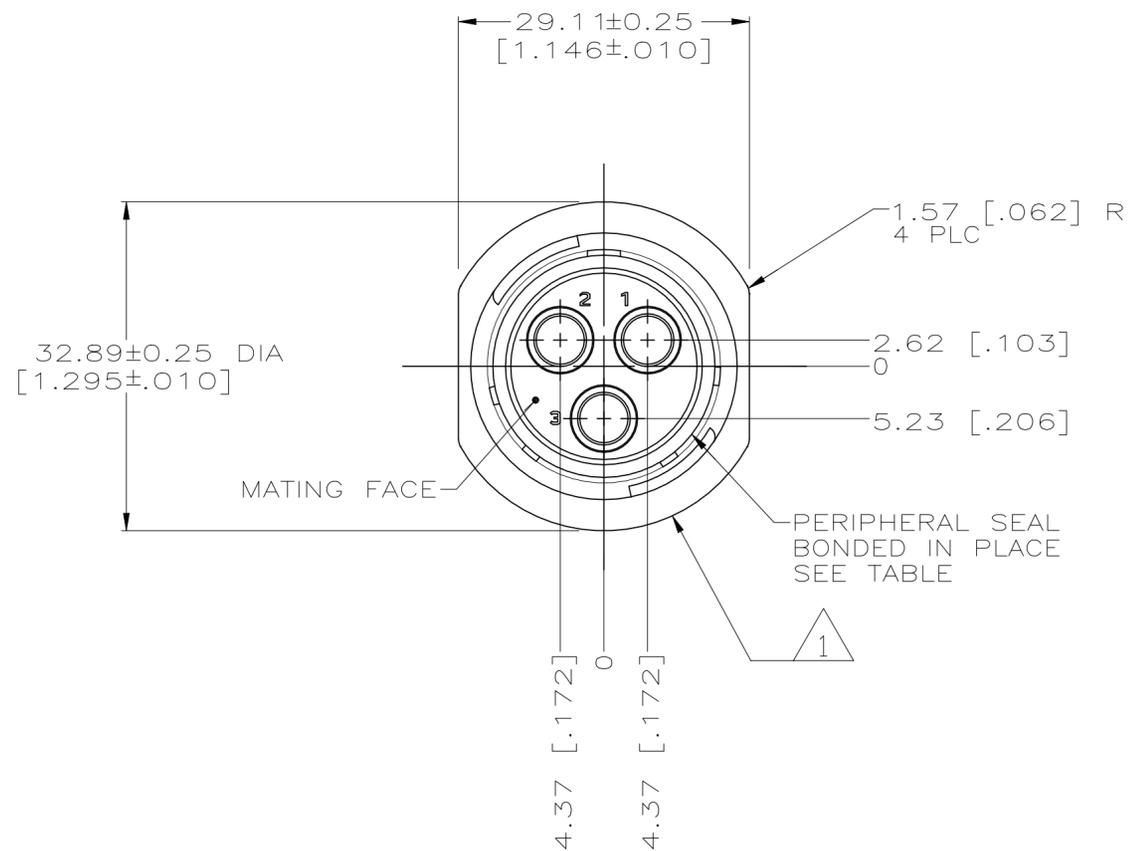


REVISIONS					
P	LTR	DESCRIPTION	DATE	DWN	APVD
B		ECO-21-006943	13OCT2021	RK	MZ



NOTES:

1 TE LOGO AND PART NUMBER MARKED ON ANY FLANGE EDGE

YES	213890-2
NO	213890-1
PERIPHERAL SEAL	PART NUMBER

THIS DRAWING IS A CONTROLLED DOCUMENT.		DWN	D.HARDY	06/23/95	 TE Connectivity																		
DIMENSIONS: mm[INCHES]		CHK	R.STONE	06/29/95																			
TOLERANCES UNLESS OTHERWISE SPECIFIED:		APVD	A.FRANTUM	06/29/95																			
<table border="1"> <tr><td>0 PLC</td><td>±</td><td>-</td></tr> <tr><td>1 PLC</td><td>±</td><td>-</td></tr> <tr><td>2 PLC</td><td>±</td><td>0.13 [.005]</td></tr> <tr><td>3 PLC</td><td>±</td><td>-</td></tr> <tr><td>4 PLC</td><td>±</td><td>-</td></tr> <tr><td>ANGLES</td><td>±</td><td>-</td></tr> </table>		0 PLC	±	-		1 PLC	±	-	2 PLC	±	0.13 [.005]	3 PLC	±	-	4 PLC	±	-	ANGLES	±	-	PRODUCT SPEC	108-1579	NAME
0 PLC	±	-																					
1 PLC	±	-																					
2 PLC	±	0.13 [.005]																					
3 PLC	±	-																					
4 PLC	±	-																					
ANGLES	±	-																					
MATERIAL	NYLON, BLACK	FINISH	-	WEIGHT	-	SIZE	A2	CAGE CODE	00779	DRAWING NO	C=213890	RESTRICTED TO	-										
CUSTOMER DRAWING		SCALE		2:1	SHEET	1 of 1	REV	B															