

4

3

2

1

THIS DRAWING IS UNPUBLISHED.

RELEASED FOR PUBLICATION

20

© COPYRIGHT 20

BY -

ALL RIGHTS RESERVED.

REVISIONS

P	LTR	DESCRIPTION	DATE	DWN	APVD
	A2	REVISED PER ECO-15-018523	29DEC2015	DD	LV
	A3	REVISED PER ECO-16-005357	06APR2016	DD	LV

1 POLYESTER PBT, COLOR: SEE TABLE.

2 JACK HOUSING INTERFACE PER DIN 72594-1, ROAD VEHICLES - RADIO FREQUENCY INTERFACE - DIMENSIONS AND ELECTRICAL REQUIREMENTS.

3. SEE INSTRUCTION SHEET 408-10028.

4 DIMENSION APPLIES TO ALL CODING RIBS.

ISOMETRIC VIEW

PER DETAIL B	B	SIGNAL WHITE	2138711-2
PER DETAIL A	A	JET BLACK	2138711-1
KEYING	CODING REF	HOUSING COLOR	PART NUMBER

THIS DRAWING IS A CONTROLLED DOCUMENT.		DWN K. PETERSON 14SEP2011					
DIMENSIONS: mm		CHK L. VARSIK 14SEP2011					
TOLERANCES UNLESS OTHERWISE SPECIFIED:		APVD L. VARSIK 14SEP2011					
0 PLC ±- 1 PLC ±- 2 PLC ±- 3 PLC ±- 4 PLC ±- ANGLES ±-		PRODUCT SPEC -	NAME JACK HOUSING, 1 POSITION, FAKRA, SMB				
MATERIAL - 1		FINISH -	APPLICATION SPEC 114-13157	SIZE A3	CAGE CODE 00779	DRAWING NO C-2138711	RESTRICTED TO -
CUSTOMER DRAWING			WEIGHT -	SCALE 4:1	SHEET 1 OF 2	REV A3	

1470-19 (3/13)

THIS DRAWING IS UNPUBLISHED.

RELEASED FOR PUBLICATION

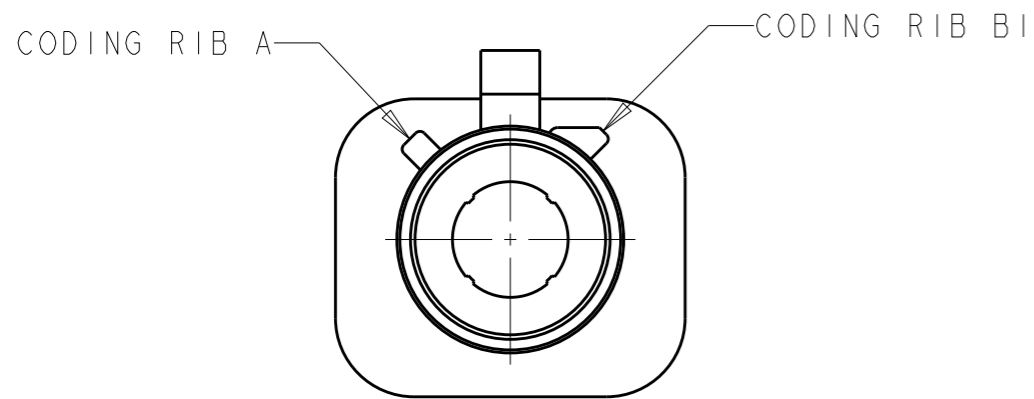
20

© COPYRIGHT 20 BY -

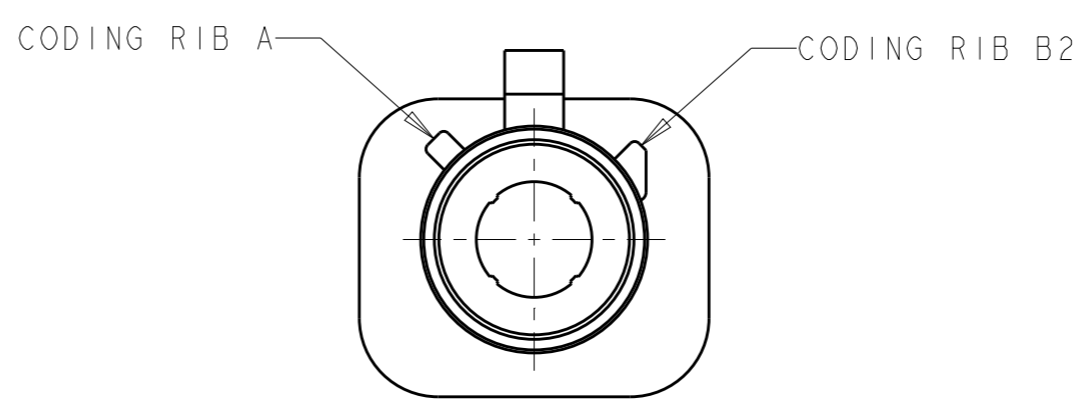
ALL RIGHTS RESERVED.

REVISIONS

P	LTR	DESCRIPTION	DATE	DWN	APVD
-		SEE SHEET 1	-	-	-



DETAIL A

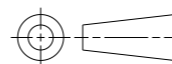


DETAIL B

THIS DRAWING IS A CONTROLLED DOCUMENT.

DIMENSIONS:

mm



TOLERANCES UNLESS OTHERWISE SPECIFIED:

- 0 PLC ±-
- 1 PLC ±-
- 2 PLC ±-
- 3 PLC ±-
- 4 PLC ±-
- ANGLES ±-

MATERIAL

-

FINISH

-

DWN 14SEP2011

K. PETERSON

CHK 14SEP2011

L. VARSIK

APVD 14SEP2011

L. VARSIK

PRODUCT SPEC

-

APPLICATION SPEC

114-13157

WEIGHT

-

CUSTOMER DRAWING



TE Connectivity

NAME

JACK HOUSING,
1 POSITION, FAKRA,
SMB

SIZE

CAGE CODE

DRAWING NO

RESTRICTED TO

A300779

C-2138711

-

SCALE

4:1

SHEET

2 OF 2

REV

A3