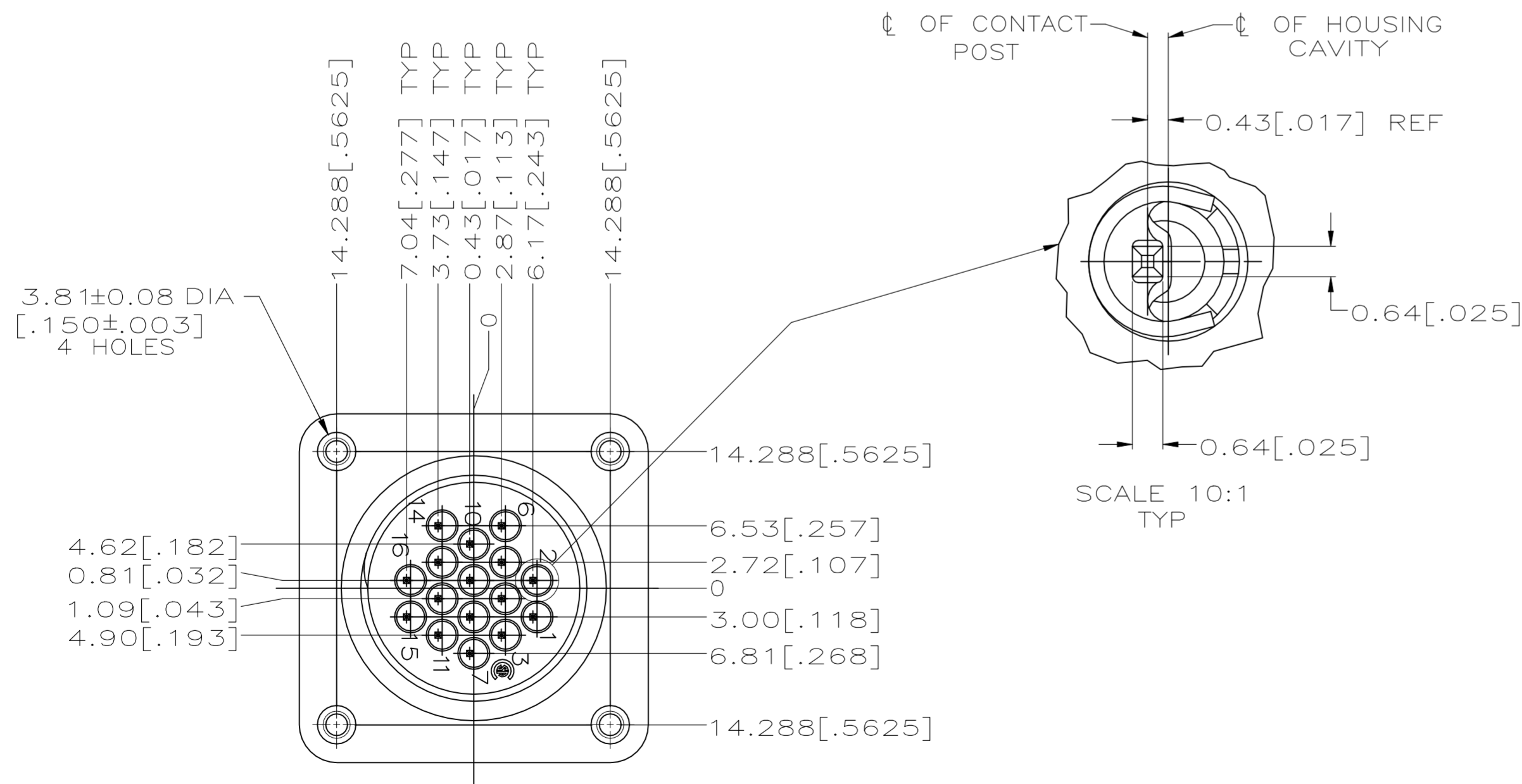
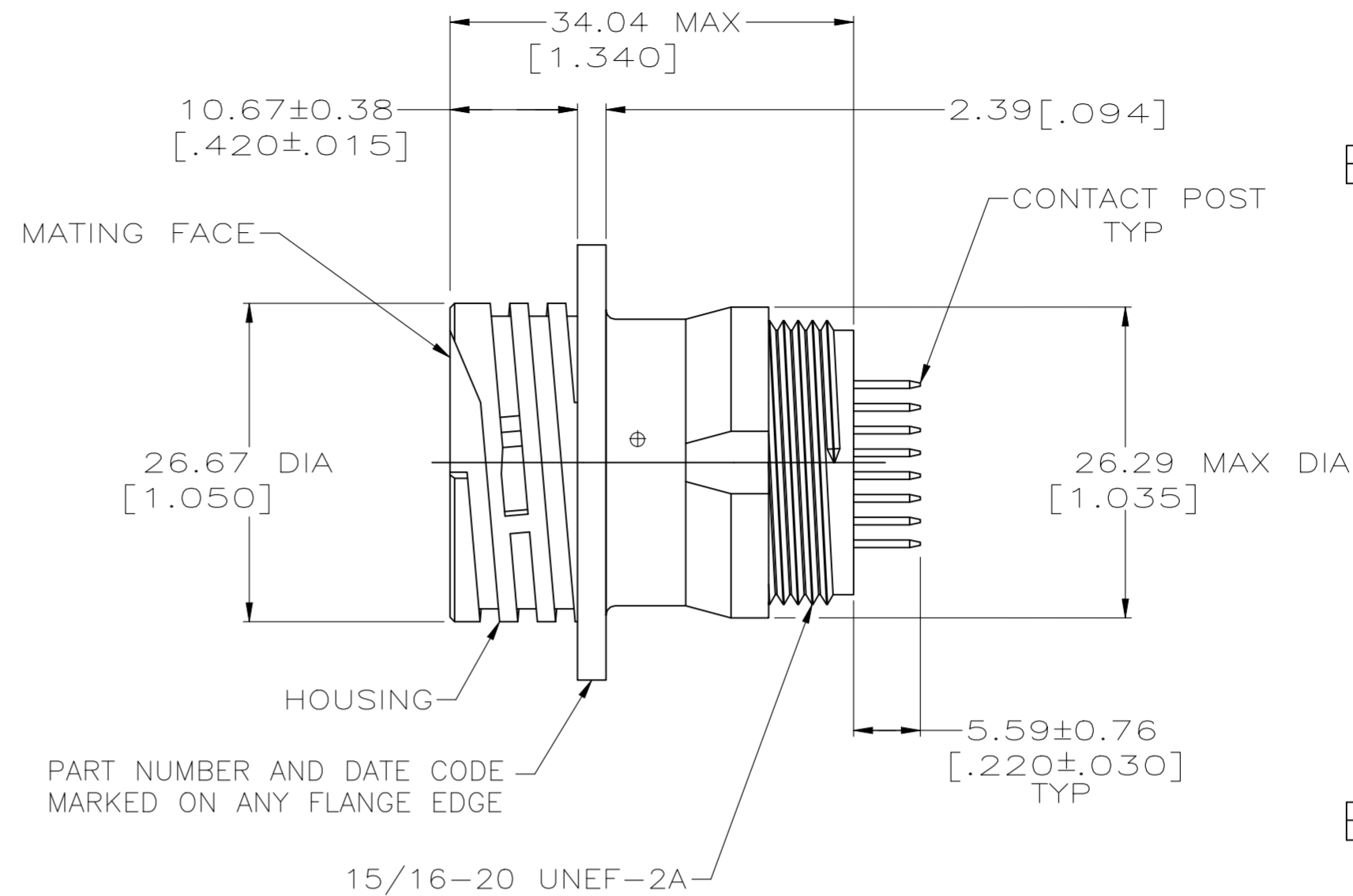
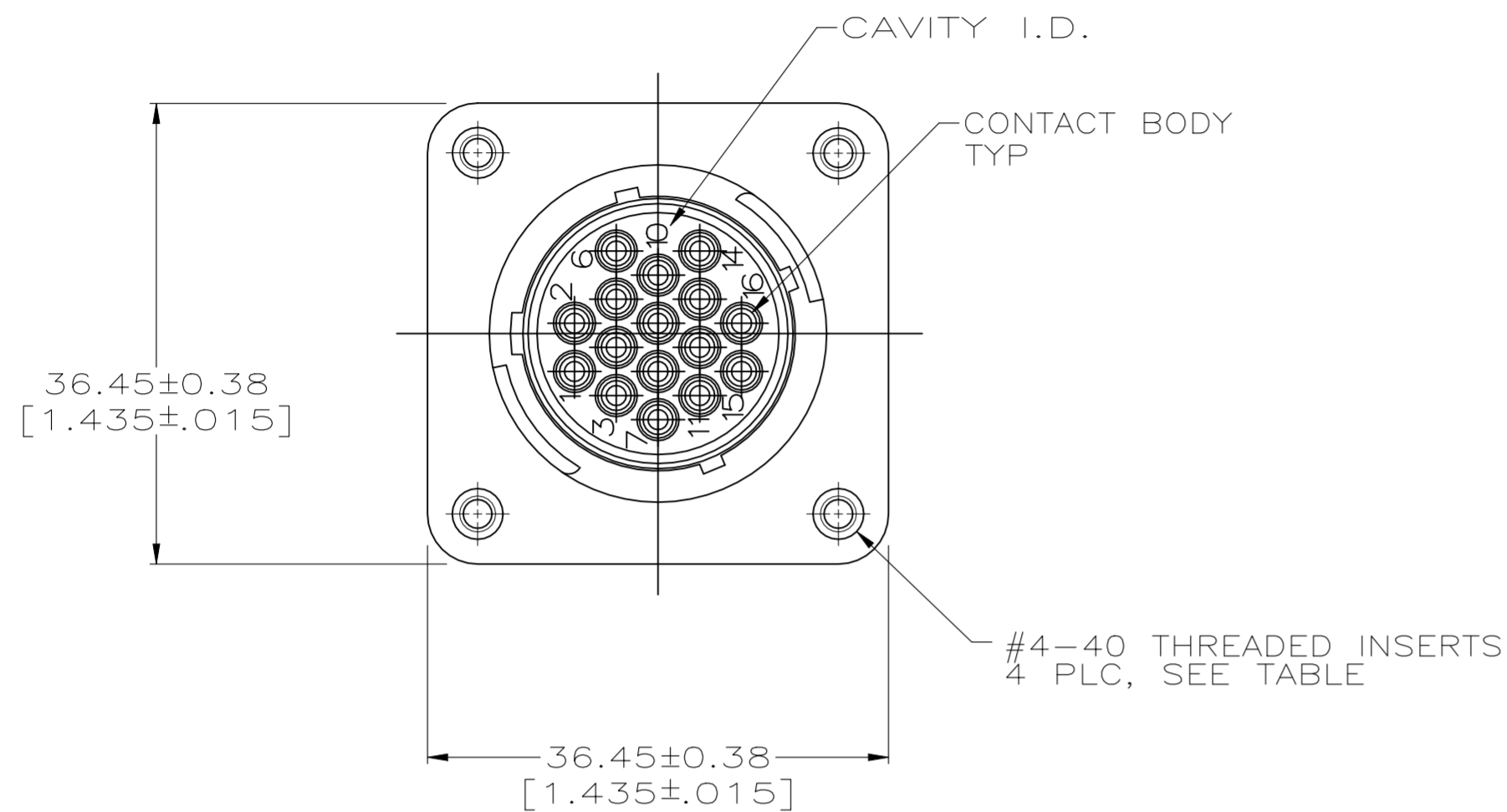


REVISIONS					
P	LTR	DESCRIPTION	DATE	DWN	APVD
D1		REVISED PER ECR-22-150475	26AUG2022	RK	MZ



- 1 NYLON, UL 94V-0 RATED, BLACK.
- 2 STAINLESS STEEL.
- 3 BRASS.
- 4 CONTACT BODY: $0.76\mu\text{m}$ [0.000030] MIN GOLD FOR A LENGTH OF 5.08 [.200] MIN FROM MATING END. GOLD FLASH ON REMAINDER, BOTH OVER $1.27\mu\text{m}$ [0.000050] MIN NICKEL. CONTACT POST: $2.54\mu\text{m}$ [0.000100] MIN TIN-LEAD OVER $1.27\mu\text{m}$ [0.000050] MIN NICKEL.
- 5 RECOMMENDED PC BOARD HOLE SIZE FOR CONTACT POST = 0.89 ± 0.08 [0.035 ± .003] DIA..
- 6 CONTACT BODY: $0.76\mu\text{m}$ [0.000030] MIN GOLD FOR A LENGTH OF 5.08 [.200] MIN FROM MATING END. GOLD FLASH ON REMAINDER, BOTH OVER $1.27\mu\text{m}$ [0.000050] MIN NICKEL. CONTACT POST: $2.54\mu\text{m}$ [0.000100] MIN TIN OVER $1.27\mu\text{m}$ [0.000050] MIN NICKEL.

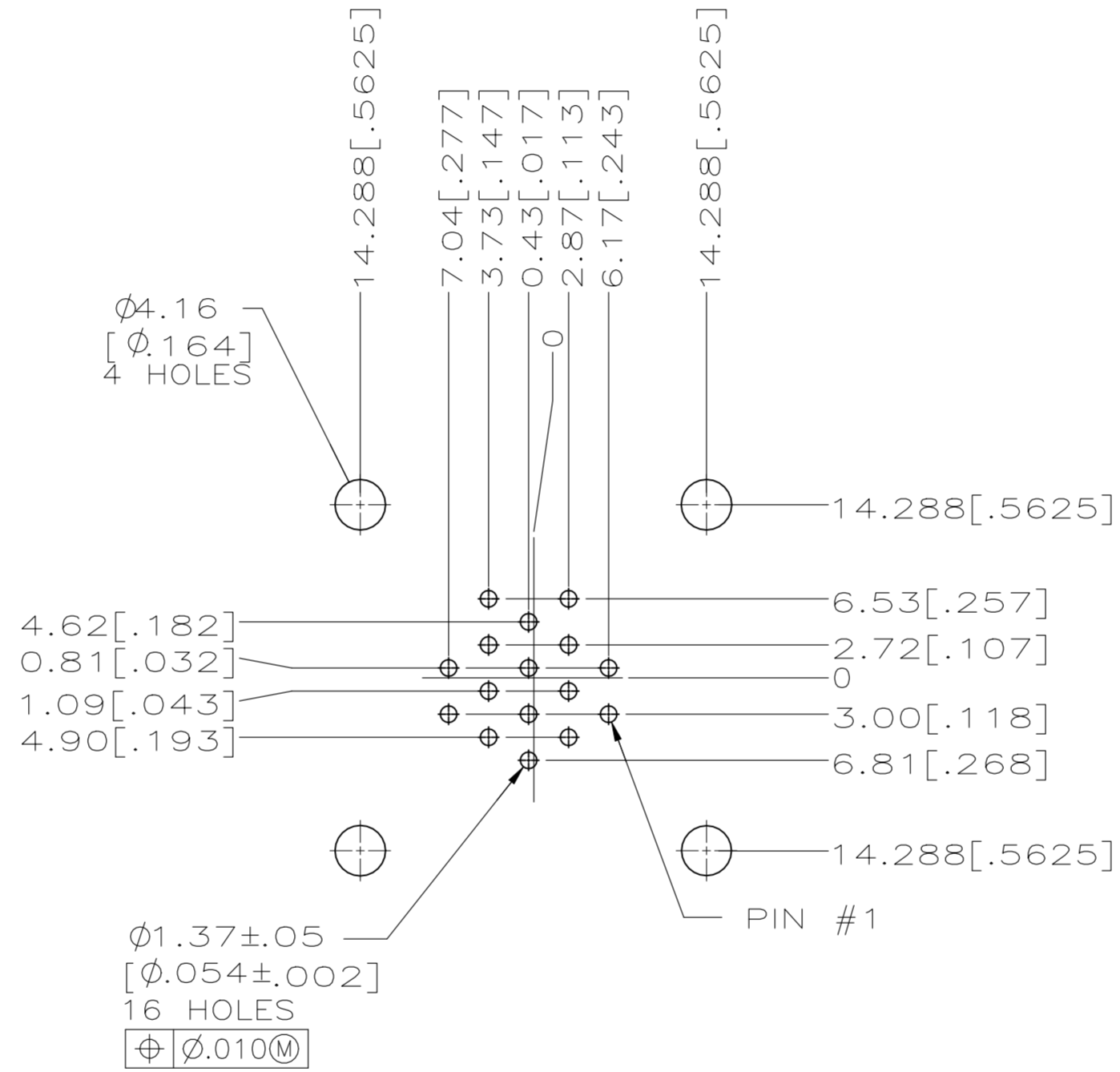
	6	YES	213855-4
	6	NO	213855-3
OBsolete	4	YES	213855-2
OBsolete	4	NO	213855-1
FINISH	THREADED INSERTS	PART NUMBER	

THIS DRAWING IS A CONTROLLED DOCUMENT.		DWN	D.HARDY	01-03-95	TE TE Connectivity Ltd.
		CHK	R.STONE	01-09-95	
DIMENSIONS: mm [INCHES]		TOLERANCES UNLESS OTHERWISE SPECIFIED:		NAME	
		0 PLC	± -	PRODUCT SPEC	
		1 PLC	± -	108-10024	
		2 PLC	± 0.25 [010]	APPLICATION SPEC	
		3 PLC	± -	114-10038	
		4 PLC	± -	SIZE	
		ANGLES	± -	CAGE CODE	
MATERIAL: 1		FINISH	-	DRAWING NO	
CONTACT SPRING: 2				A2 00779	
CONTACT BODY & POST: 3				C=213855	
		WEIGHT		RESTRICTED TO	
		-		-	
		CUSTOMER DRAWING		SCALE 2:1 SHEET 1 OF 2 REV D1	

VIEW B-B

REVISIONS

P	LTR	DESCRIPTION	DATE	DWN	APVD
-	-	SEE SHEET 1	-	-	-



RECOMMENDED P.C. BOARD LAYOUT

THIS DRAWING IS A CONTROLLED DOCUMENT.		DWN D.HARDY 01-03-95	TE Connectivity Ltd.	
DIMENSIONS: mm [INCHES]		CHK R.STONE 01-09-95		
		TOLERANCES UNLESS OTHERWISE SPECIFIED: 0 PLC ± - 1 PLC ± - 2 PLC ± 0.25 [.010] 3 PLC ± - 4 PLC ± - ANGLES ± -		PRODUCT SPEC 108-10024 APPLICATION SPEC 114-10038
MATERIAL HOUSING: CONTACT SPRING: CONTACT BODY & POST:		FINISH	WEIGHT	RESTRICTED TO
CONTACT:		SIZE A2	CAGE CODE 00779	DRAWING NO. C=213855
CUSTOMER DRAWING		SCALE 2:1	SHEET 2 OF 2	REV D1