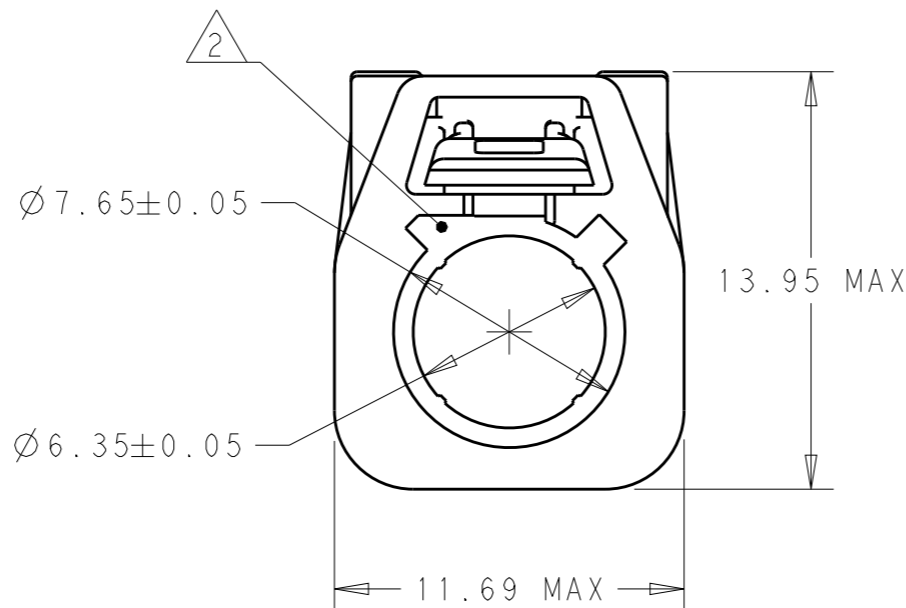
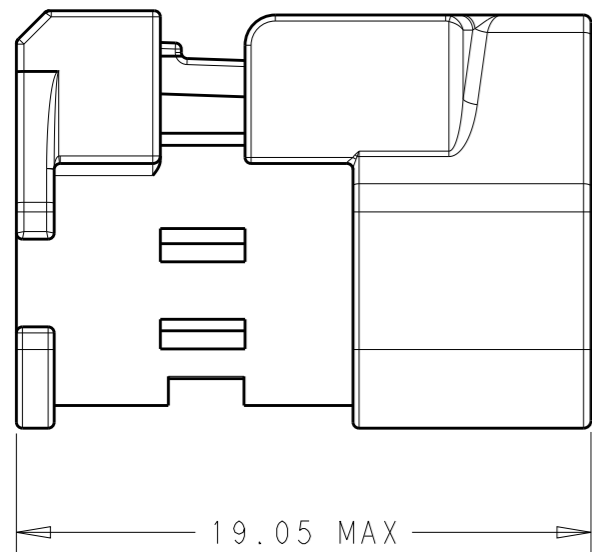


THIS DRAWING IS UNPUBLISHED. RELEASED FOR PUBLICATION 20  
 © COPYRIGHT 20 BY - ALL RIGHTS RESERVED.

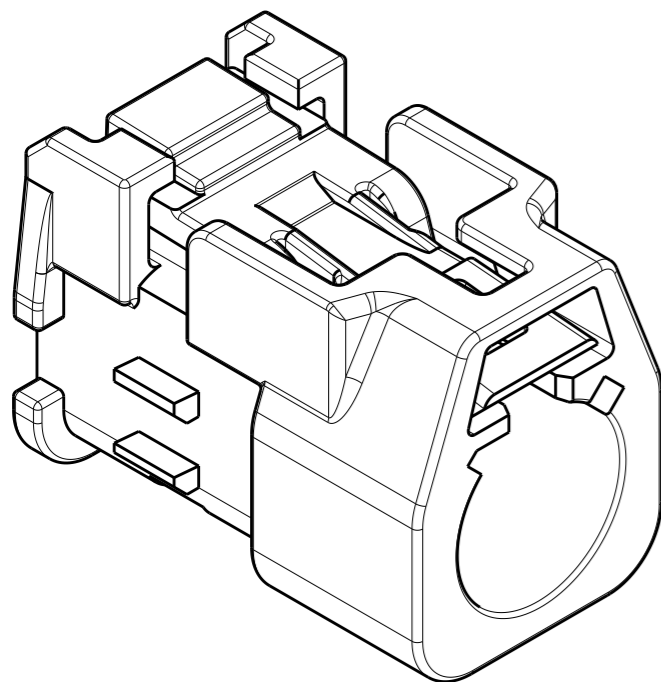
REVISIONS

P	LTR	DESCRIPTION	DATE	DWN	APVD
	B2	REVISED PER ECO-15-013802	25SEP2015	DD	LV
	B3	REVISED PER ECO-16-005357	06APR2016	DD	LV
	B4	REVISED PER ECO-18-006525	25APR2018	DM	DM



- 1 POLYESTER PBT, COLOR: SEE TABLE
- 2 PLUG HOUSING ACCEPTS JACK HOUSINGS MEETING DIN 72594-1, ROAD VEHICLES - RADIO FREQUENCY INTERFACE - DIMENSIONS AND ELECTRICAL REQUIREMENTS.
- 3. SEE INSTRUCTION SHEET 408-10028.
- 4 NOTE REMOVED

PER DETAIL Z	Z	WATER BLUE	2-2138495-1
PER DETAIL N	N	PASTEL GREEN	1-2138495-3
PER DETAIL M	M	PASTEL ORANGE	1-2138495-2
PER DETAIL K	K	CURRY	1-2138495-0
PER DETAIL H	H	HEATHER VIOLET	2138495-8
PER DETAIL G	G	BLUE GRAY	2138495-7
PER DETAIL F	F	NUT BROWN	2138495-6
PER DETAIL E	E	LEAF GREEN	2138495-5
PER DETAIL D	D	CLARET VIOLET	2138495-4
PER DETAIL C	C	SIGNAL BLUE	2138495-3
PER DETAIL B	B	SIGNAL WHITE	2138495-2
PER DETAIL A	A	JET BLACK	2138495-1
KEYING	CODING REF	HOUSING COLOR	PART NUMBER

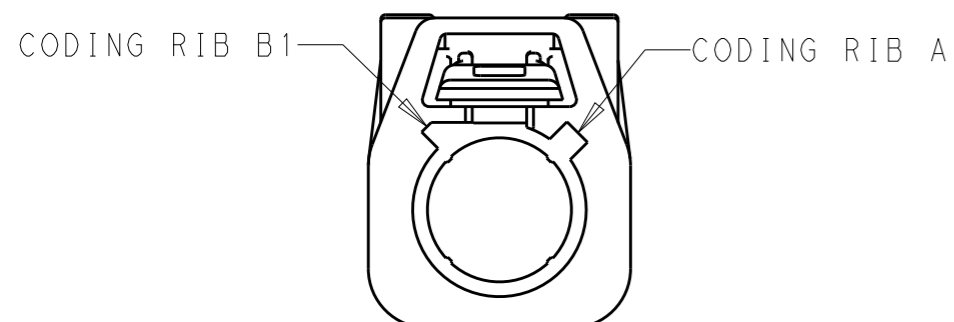


ISOMETRIC VIEW

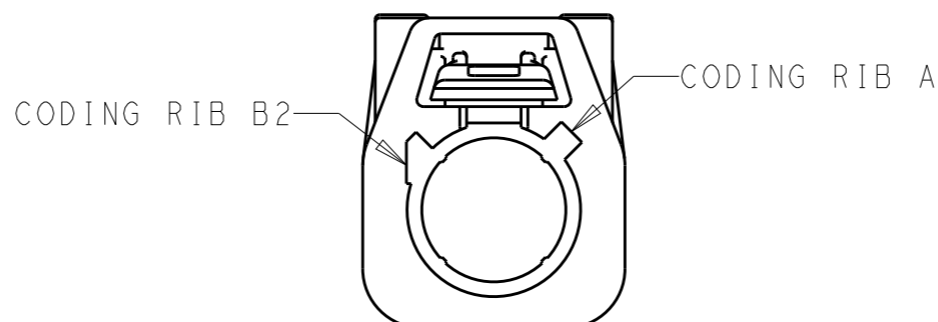
THIS DRAWING IS A CONTROLLED DOCUMENT.		DWN K. PETERSON 21MAR2011	TE Connectivity  PLUG HOUSING, 1 POSITION, FAKRA, SMB	
DIMENSIONS: mm		CHK L. VARSIK 21MAR2011		
		APVD L. VARSIK 21MAR2011		
TOLERANCES UNLESS OTHERWISE SPECIFIED: 0 PLC ±- 1 PLC ±- 2 PLC ±- 3 PLC ±- 4 PLC ±- ANGLES ±-		PRODUCT SPEC -		
MATERIAL -	FINISH -	APPLICATION SPEC 114-13157	NAME	RESTRICTED TO
-		WEIGHT -	SIZE A3	CAGE CODE 00779
-		CUSTOMER DRAWING	DRAWING NO C-2138495	SCALE 4:1
			SHEET 1 OF 3	REV B4

REVISIONS

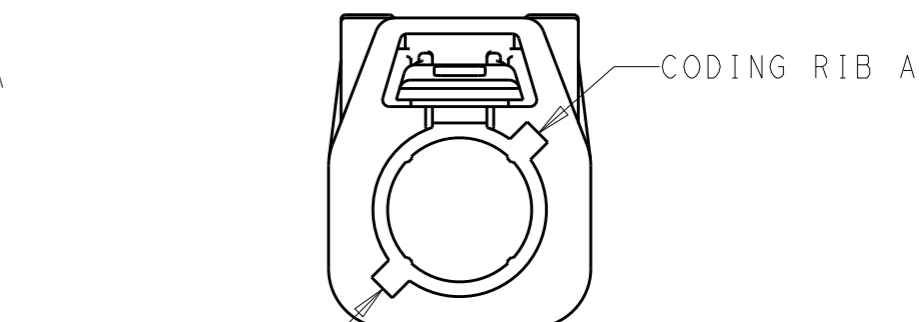
P	LTR	DESCRIPTION	DATE	DWN	APVD
-	-	SEE SHEET 1	-	-	-



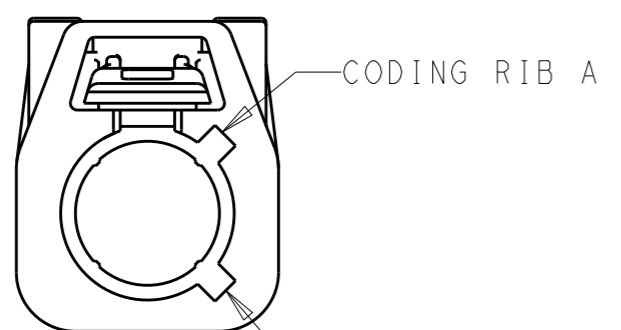
DETAIL A  
SCALE 3:1



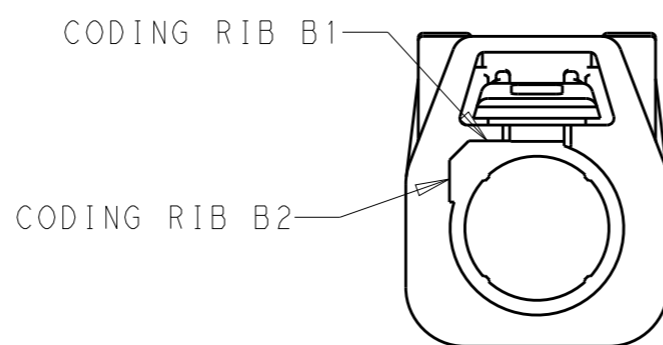
DETAIL B  
SCALE 3:1



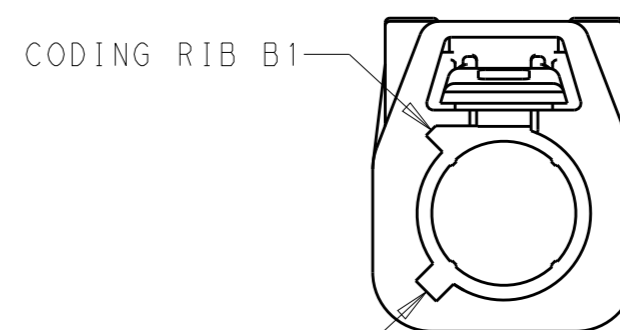
DETAIL C  
SCALE 3:1



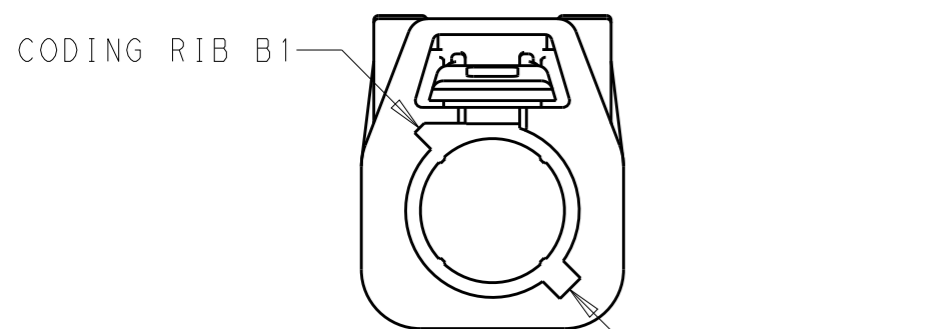
DETAIL D  
SCALE 3:1



DETAIL E  
SCALE 3:1



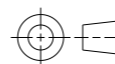
DETAIL F  
SCALE 3:1



DETAIL G  
SCALE 3:1

THIS DRAWING IS A CONTROLLED DOCUMENT.

DIMENSIONS:  
mm



TOLERANCES UNLESS OTHERWISE SPECIFIED:

- 0 PLC ±-
- 1 PLC ±-
- 2 PLC ±-
- 3 PLC ±-
- 4 PLC ±-
- ANGLES ±-

MATERIAL

-

FINISH

-

DWN K. PETERSON 21MAR2011

CHK L. VARSIK 21MAR2011

APVD L. VARSIK 21MAR2011

PRODUCT SPEC

-

APPLICATION SPEC

114-13157

WEIGHT

-

CUSTOMER DRAWING



TE Connectivity

NAME  
PLUG HOUSING,  
1 POSITION, FAKRA,  
SMB

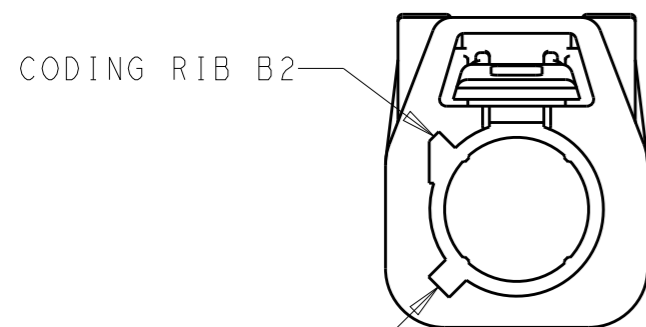
SIZE CAGE CODE DRAWING NO RESTRICTED TO

A300779 C-2138495

SCALE 4:1 SHEET 2 OF 3 REV B4

REVISIONS

P	LTR	DESCRIPTION	DATE	DWN	APVD
-		SEE SHEET 1	-	-	-



CODING RIB B2

DETAIL H  
SCALE 3:1



CODING RIB C

CODING RIB D

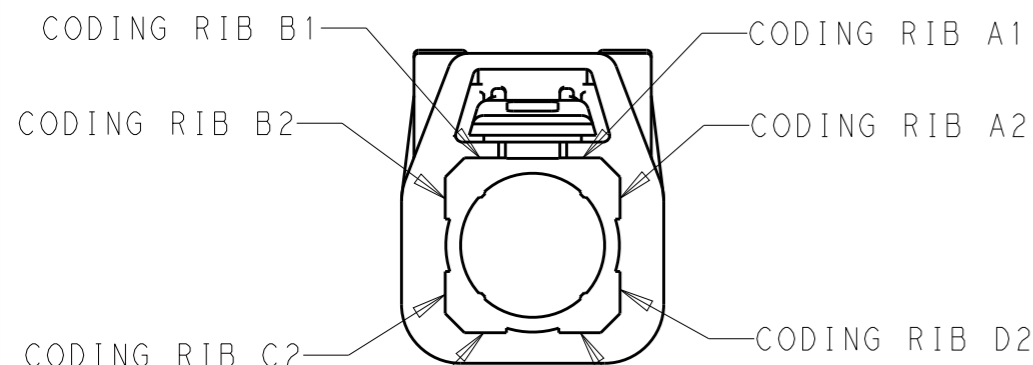
DETAIL K  
SCALE 3:1



CODING RIB C1

CODING RIB D2

DETAIL M  
SCALE 3:1



CODING RIB B1

CODING RIB A1

CODING RIB B2

CODING RIB A2

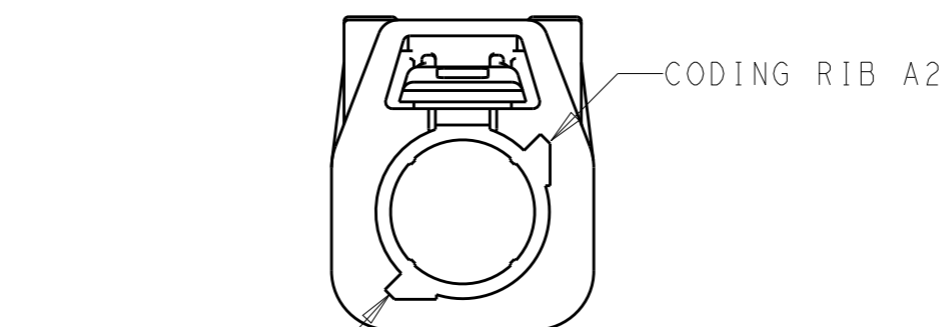
CODING RIB C2

CODING RIB D2

CODING RIB C1

CODING RIB D1

DETAIL Z  
SCALE 3:1



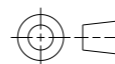
CODING RIB A2

CODING RIB C1

DETAIL N  
SCALE 3:1

THIS DRAWING IS A CONTROLLED DOCUMENT.

DIMENSIONS:  
mm



TOLERANCES UNLESS OTHERWISE SPECIFIED:

0 PLC	±-
1 PLC	±-
2 PLC	±-
3 PLC	±-
4 PLC	±-
ANGLES	±-

MATERIAL

-

FINISH

-

DWN K. PETERSON 21MAR2011

CHK L. VARSIK 21MAR2011

APVD L. VARSIK 21MAR2011

PRODUCT SPEC

APPLICATION SPEC  
114-13157

WEIGHT

-

CUSTOMER DRAWING



TE Connectivity

NAME

PLUG HOUSING,  
1 POSITION, FAKRA,  
SMB

SIZE

CAGE CODE

DRAWING NO

RESTRICTED TO

A3

00779

C-2138495

SCALE 4:1

SHEET 3 OF 3

REV B4