

THIS DRAWING IS UNPUBLISHED.

RELEASED FOR PUBLICATION

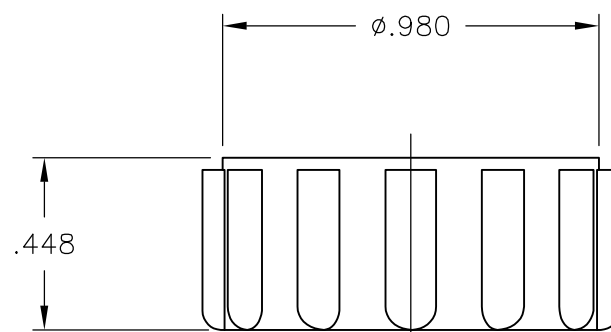
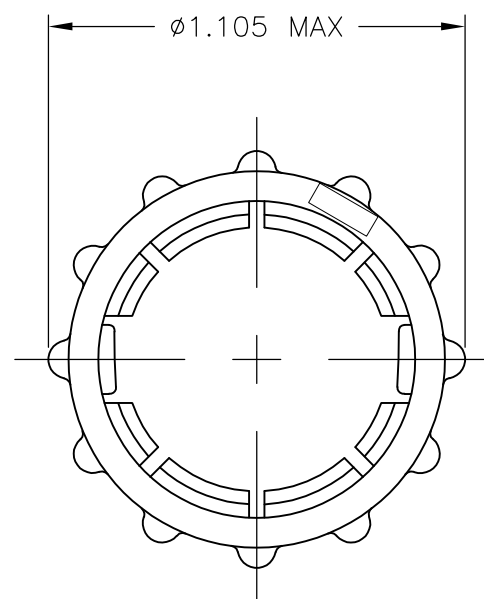
-. -. .

REVISIONS


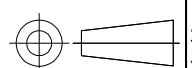
© COPYRIGHT - By -

ALL RIGHTS RESERVED.

| P | LTR | DESCRIPTION | DATE | DWN | APVD |
|---|-----|---------------------------|-----------|-----|------|
| | C | REVISED PER 0G3B-0124-02 | 8/4/03 | SS | SH |
| | D | REVISED PER ECO-16-018358 | 09MAR2017 | RS | MZ |



| | | |
|----------|-----------|-------------|
| OBSOLETE | PULL FREE | 213813-2 |
| | - | 213813-1 |
| | NOTES | PART NUMBER |

| | | | | | | | | |
|---|--|-----------------------------|--|-----------------|--------------------|--|--------------------|--|
| THIS DRAWING IS A CONTROLLED DOCUMENT. | | DWN D.HARDY 06/20/95 |  TE Connectivity | | | | | |
| DIMENSIONS: INCHES | | CHK R.STONE 06/21/95 | | | | | | |
|  | | APVD R.BYERS 06/21/95 | | | | NAME COUPLING RING, SIZE 13, CPC | | |
| TOLERANCES UNLESS OTHERWISE SPECIFIED: | | PRODUCT SPEC - | | | | APPLICATION SPEC - | | |
| MATERIAL NYLON, BLACK | | FINISH - | WEIGHT - | SIZE A3 | CAGE CODE 00779 | DRAWING NO C-213813 | RESTRICTED TO - | |
| CUSTOMER DRAWING | | | SCALE 2:1 | SHEET 1 OF 1 | REV D | | | |