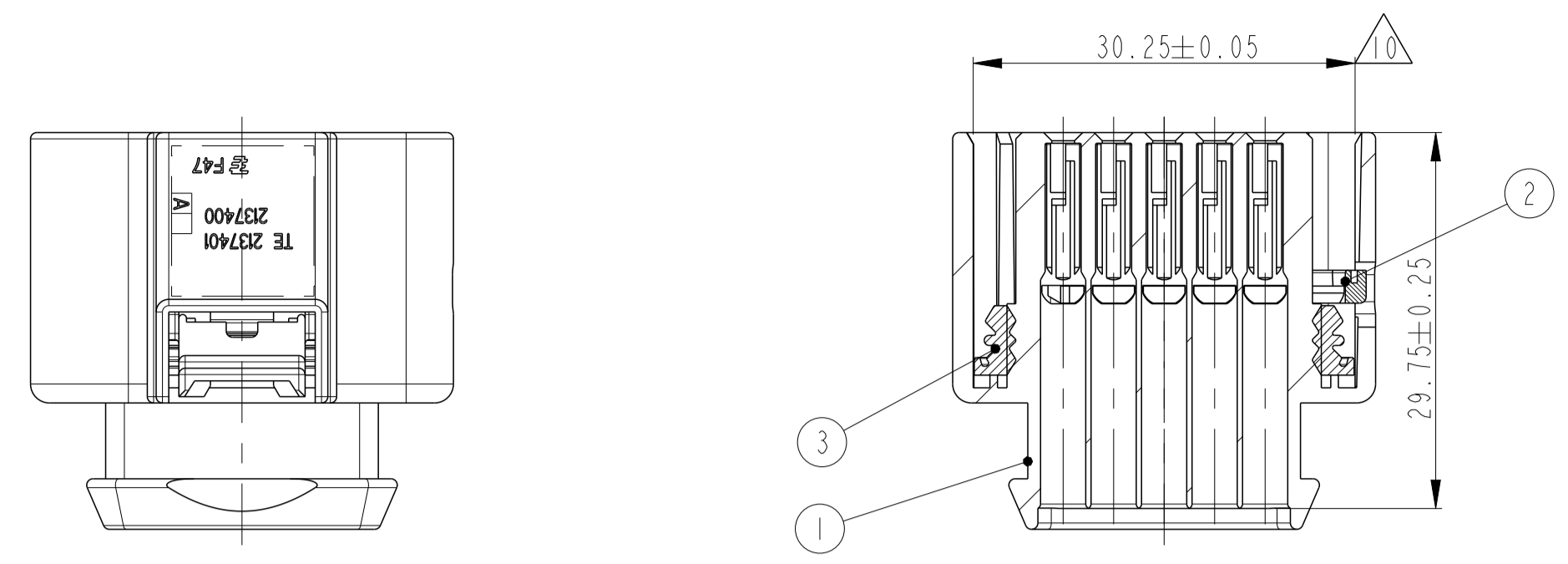
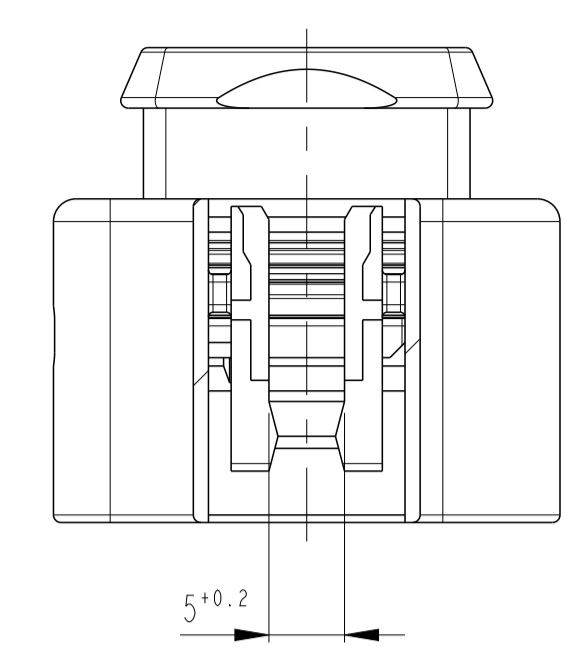


LOC	DIST	REVISIONS				
ES	00	REV	DESCRIPTION	DATE	BY	APPV
		A	RELEASE	02DEC10	E. X	I. Y
		A1	ADD CODE ECR-13-018688	29NOV2013	J. Z	I. Y
		A2	ECR-22-161786	20DEC 22	S. X	J. Z

A-A

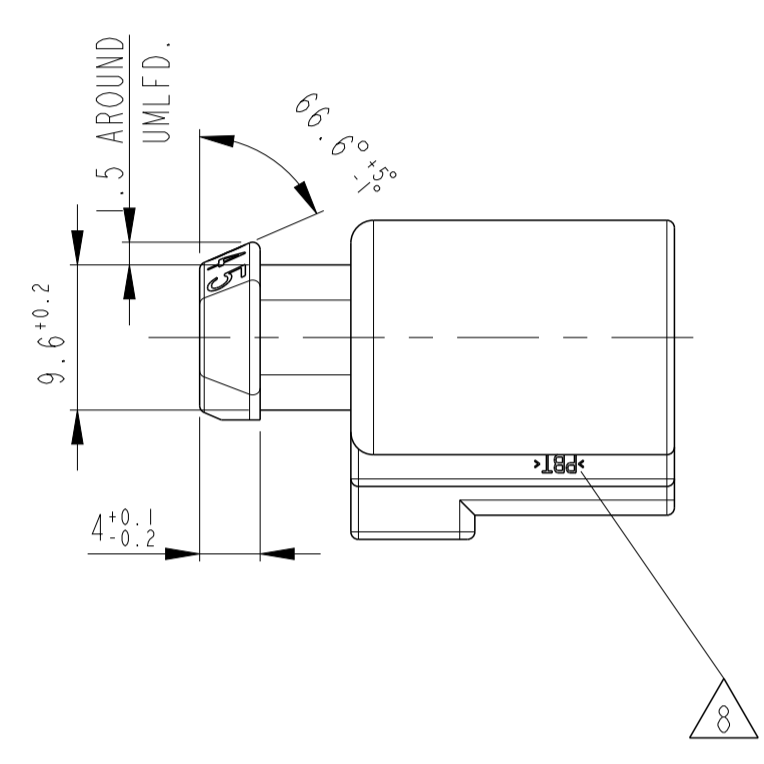
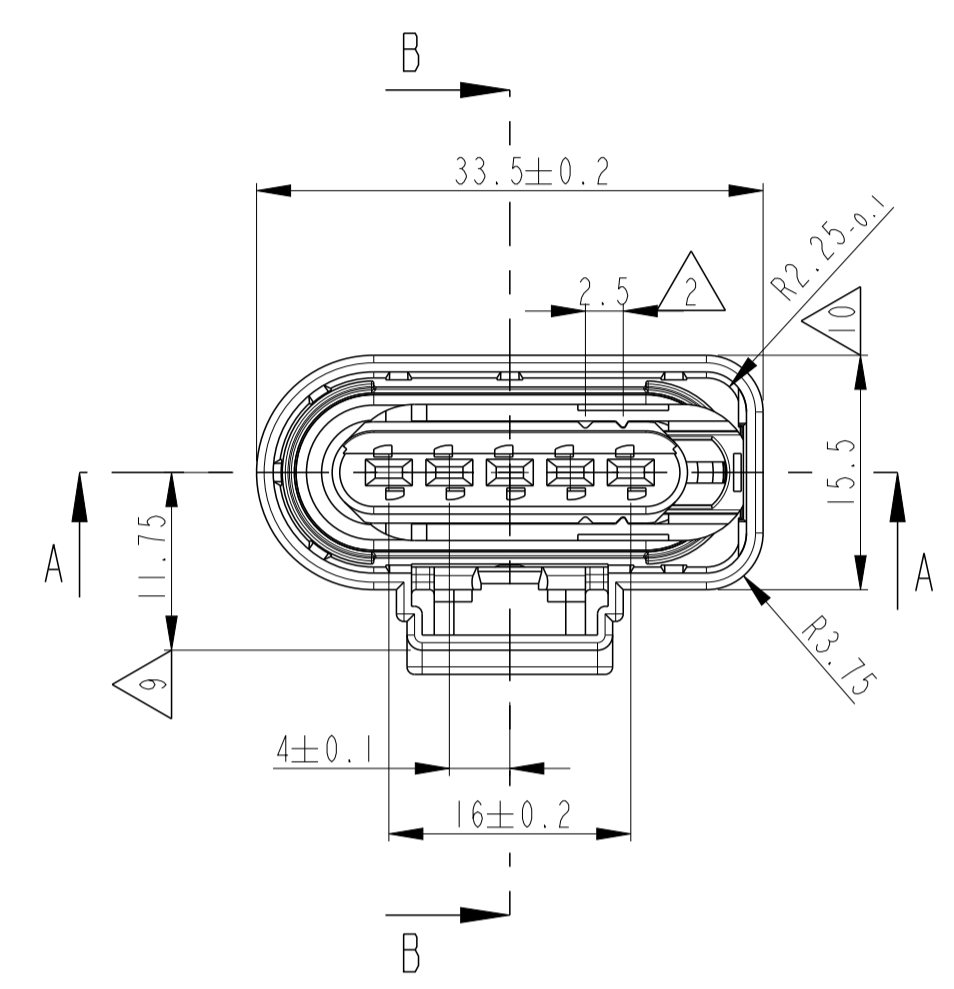
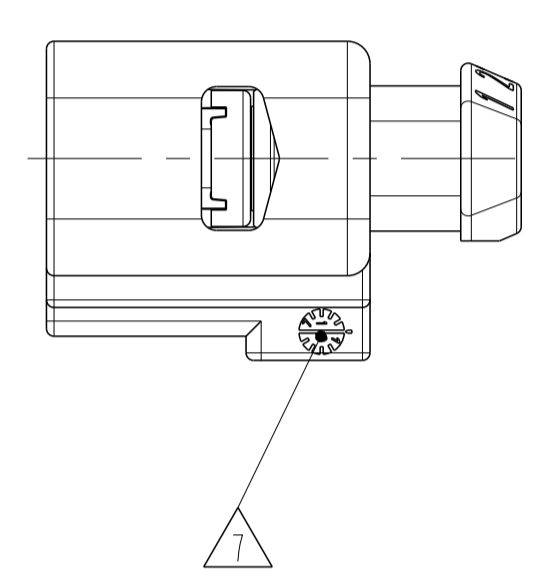


C-C

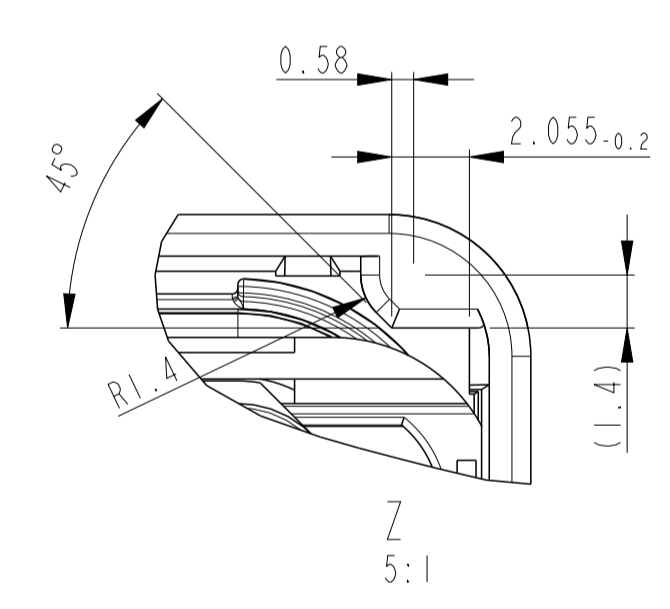
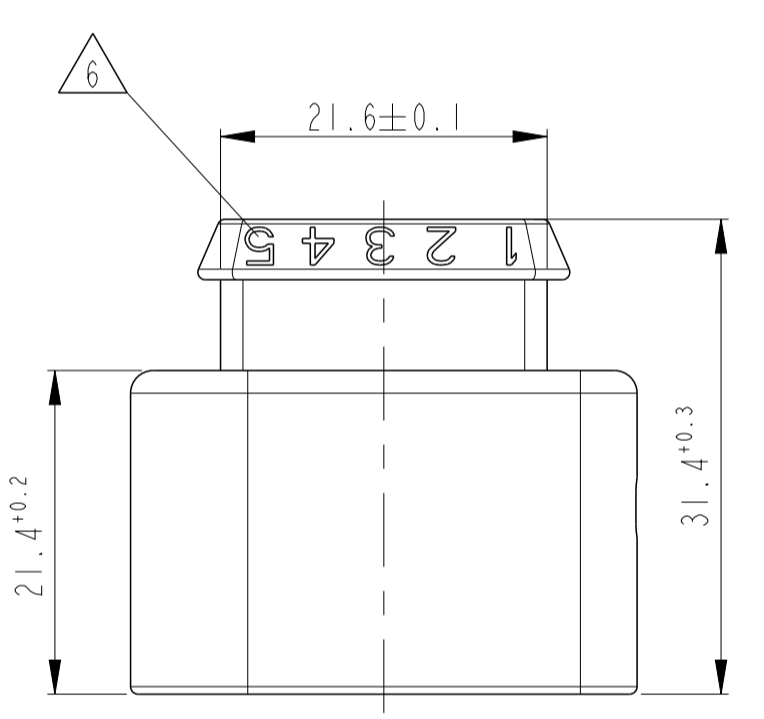
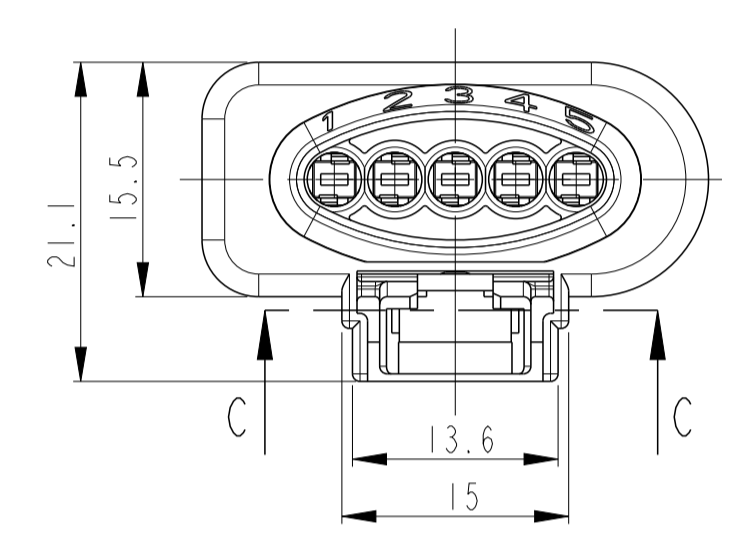
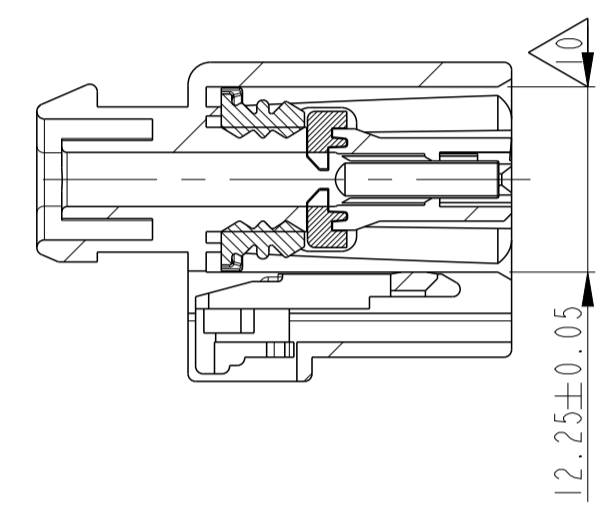


NOTES

- 1 THE PART 2137400-1 ASSEMBLED F.E. WITH CONTACT 1241380-1, AND WIRE SEALING 964972-1 WILL HAVE THE SUITABLE MATING PART 1-0969920-1
- 2 CONDITION AS SUPPLIED: RETAINER IN PRE-LOCKED POSITION, AFTER CONTACT LOADING TO DRIFT IN THIS DIRECTION (2.5mm)
- 3 BULK PACKAGED
- 4 WITHOUT CPA (CONNECTOR POSITION ASSURANCE)
- 5 WITH CPA
- 6 CONTACT CAVITY NUMBER
- 7 PRODUCTION-DATE
- 8 MATERIAL MARKING ACC. TO VDA 260
- 9 ALLOWED WARPAGE ±0.5
- 10 \*-2137400-\* IS SUZHOU VERSION PN THAT IS THE SIMILAR PERFORMANCE OF \*-1670599-\*

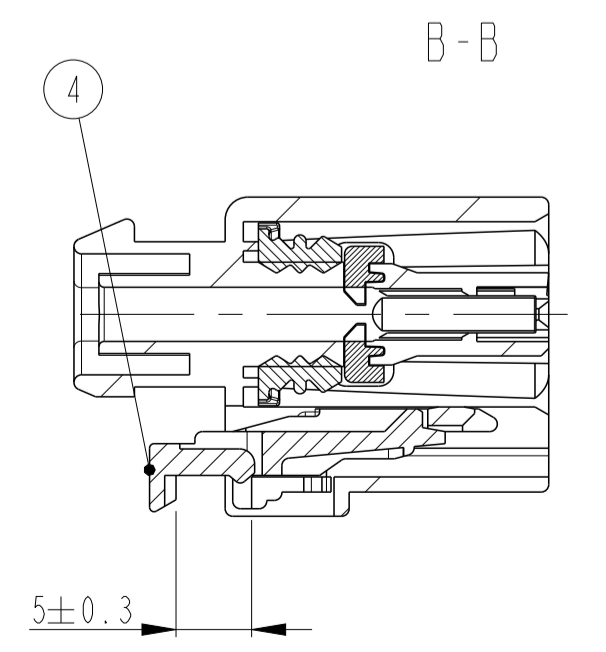
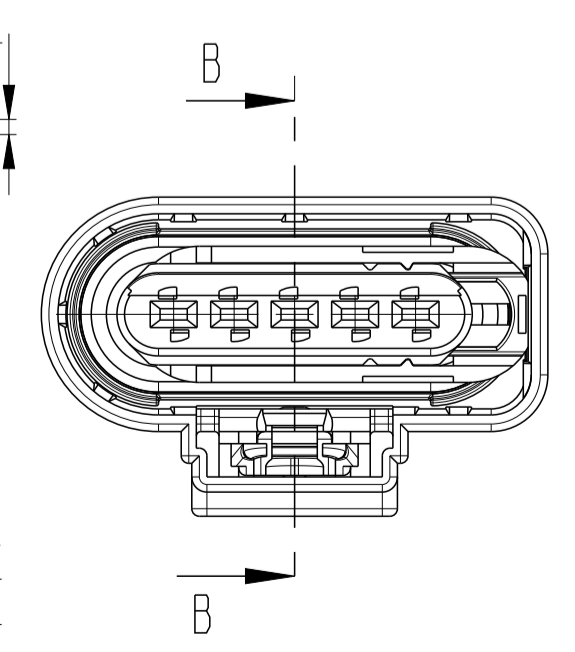
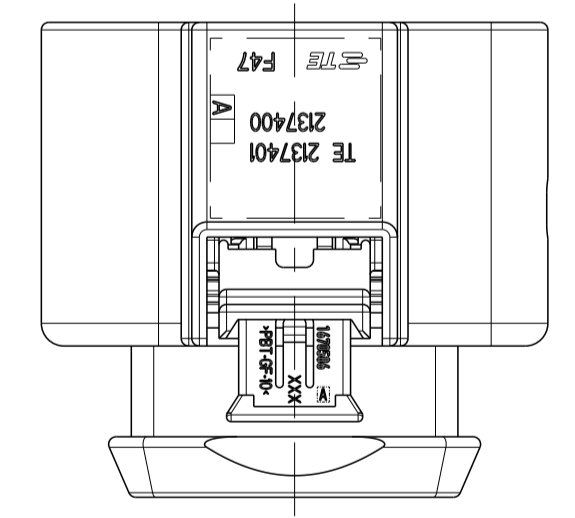
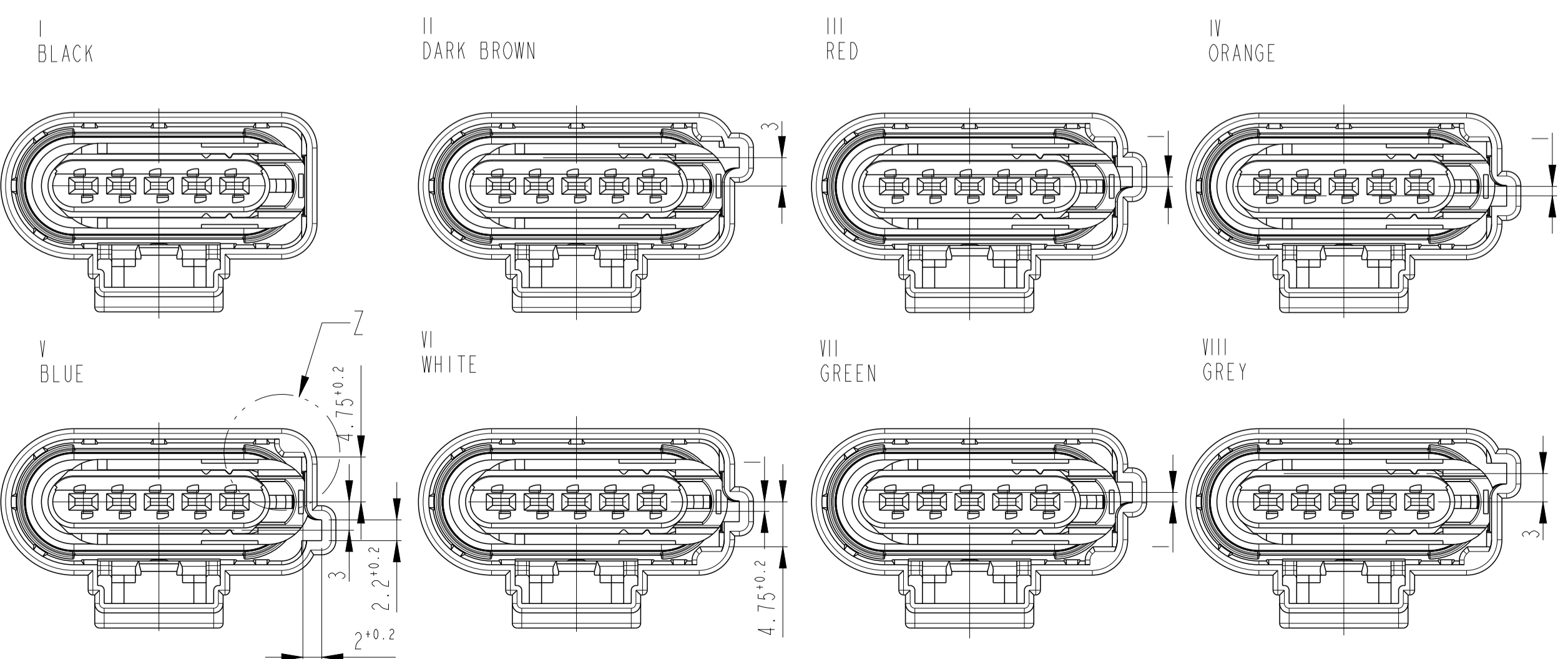


B-B



CODINGS

2:1



REV	TE-NO	MATERIAL	COLOR	RAL-NO	DESCRIPTION	ITEM NO	
VIII	6-2137400-8	A	PBT-GF10	RED	3003	CPA, ...	4
			MVO	NATURAL	-	RADIAL SEAL ...	3
			PBT-GF10	VIOLET	4006	RETAINER, ...	2
			PBT	GREY	7036	5 POSITION, AMP MCPI.5K, ...	1
VII	6-2137400-7	A	PBT-GF10	RED	3003	CPA, ...	4
			MVO	NATURAL	-	RADIAL SEAL ...	3
			PBT-GF10	VIOLET	4006	RETAINER, ...	2
			PBT	GREEN	6018	5 POSITION, AMP MCPI.5K, ...	1
VI	6-2137400-6	A	PBT-GF10	RED	3003	CPA, ...	4
			MVO	NATURAL	-	RADIAL SEAL ...	3
			PBT-GF10	VIOLET	4006	RETAINER, ...	2
			PBT	WHITE	9010	5 POSITION, AMP MCPI.5K, ...	1
V	6-2137400-5	A	PBT-GF10	RED	3003	CPA, ...	4
			MVO	NATURAL	-	RADIAL SEAL ...	3
			PBT-GF10	VIOLET	4006	RETAINER, ...	2
			PBT	BLUE	5012	5 POSITION, AMP MCPI.5K, ...	1
IV	6-2137400-4	A	PBT-GF10	RED	3003	CPA, ...	4
			MVO	NATURAL	-	RADIAL SEAL ...	3
			PBT-GF10	VIOLET	4006	RETAINER, ...	2
			PBT	ORANGE	2003	5 POSITION, AMP MCPI.5K, ...	1
III	6-2137400-3	A	PBT-GF10	RED	3003	CPA, ...	4
			MVO	NATURAL	-	RADIAL SEAL ...	3
			PBT-GF10	VIOLET	4006	RETAINER, ...	2
			PBT	RED	3003	5 POSITION, AMP MCPI.5K, ...	1
II	6-2137400-2	A	PBT-GF10	RED	3003	CPA, ...	4
			MVO	NATURAL	-	RADIAL SEAL ...	3
			PBT-GF10	VIOLET	4006	RETAINER, ...	2
			PBT	DARK BROWN	8012	5 POSITION, AMP MCPI.5K, ...	1
I	6-2137400-1	A	PBT-GF10	RED	3003	CPA, ...	4
			MVO	NATURAL	-	RADIAL SEAL ...	3
			PBT-GF10	VIOLET	4006	RETAINER, ...	2
			PBT	BLACK	9011	5 POSITION, AMP MCPI.5K, ...	1
VIII	2137400-8	A	PBT-GF10	VIOLET	4006	RETAINER, ...	2
			PBT	GREY	7036	5 POSITION, AMP MCPI.5K, ...	1
			MVO	NATURAL	-	RADIAL SEAL ...	3
			PBT-GF10	VIOLET	4006	RETAINER, ...	2
VII	2137400-7	A	PBT-GF10	VIOLET	4006	RETAINER, ...	2
			PBT	GREEN	6018	5 POSITION, AMP MCPI.5K, ...	1
			MVO	NATURAL	-	RADIAL SEAL ...	3
			PBT-GF10	VIOLET	4006	RETAINER, ...	2
VI	2137400-6	A	PBT-GF10	VIOLET	4006	RETAINER, ...	2
			PBT	WHITE	9010	5 POSITION, AMP MCPI.5K, ...	1
			MVO	NATURAL	-	RADIAL SEAL ...	3
			PBT-GF10	VIOLET	4006	RETAINER, ...	2
V	2137400-5	A	PBT-GF10	VIOLET	4006	RETAINER, ...	2
			PBT	BLUE	5012	5 POSITION, AMP MCPI.5K, ...	1
			MVO	NATURAL	-	RADIAL SEAL ...	3
			PBT-GF10	VIOLET	4006	RETAINER, ...	2
IV	2137400-4	A	PBT-GF10	VIOLET	4006	RETAINER, ...	2
			PBT	ORANGE	2003	5 POSITION, AMP MCPI.5K, ...	1
			MVO	NATURAL	-	RADIAL SEAL ...	3
			PBT-GF10	VIOLET	4006	RETAINER, ...	2
III	2137400-3	A	PBT-GF10	VIOLET	4006	RETAINER, ...	2
			PBT	RED	3003	5 POSITION, AMP MCPI.5K, ...	1
			MVO	NATURAL	-	RADIAL SEAL ...	3
			PBT-GF10	VIOLET	4006	RETAINER, ...	2
II	2137400-2	A	PBT-GF10	VIOLET	4006	RETAINER, ...	2
			PBT	DARK BROWN	8012	5 POSITION, AMP MCPI.5K, ...	1
			MVO	NATURAL	-	RADIAL SEAL ...	3
			PBT-GF10	VIOLET	4006	RETAINER, ...	2
I	2137400-1	A	PBT-GF10	VIOLET	4006	RETAINER, ...	2
			PBT	BLACK	9011	5 POSITION, AMP MCPI.5K, ...	1
			MVO	NATURAL	-	RADIAL SEAL ...	3
			PBT-GF10	VIOLET	4006	RETAINER, ...	2

DIMENSIONS: mm 		TOLERANCES UNLESS OTHERWISE SPECIFIED: PLG ±0.10 P ±0.10 S ±0.10 PLG ±0.10 DIM ±0.10 FINISH *		DWN E. X 08-Dec-10 CHK R. DONG 08-Dec-10 APVD J. YIN 08-Dec-10		Tyco Electronics Shanghai, China	
MATERIAL: S.TAB.		FINISH: S.TAB.		WEIGHT: -		NAME: 5 POS., AMP MCPI.5K, RECEPTACLE HSG 5 POS., AMP MCPI.5K, RECEPTACLE HSG	
Customer Drawing		SCALE: 2:1		SHEET: 1 OF 1		REV: A2	