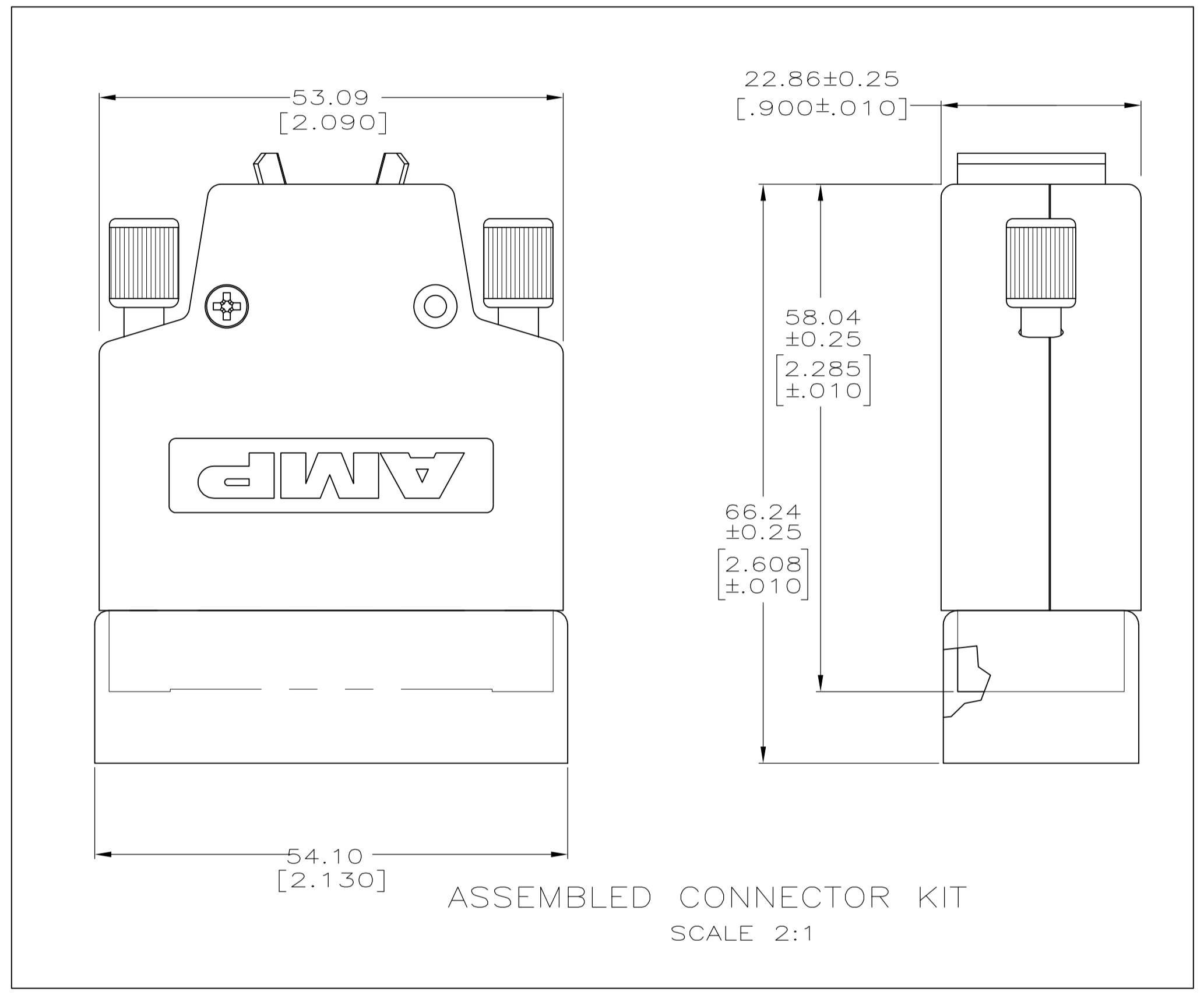
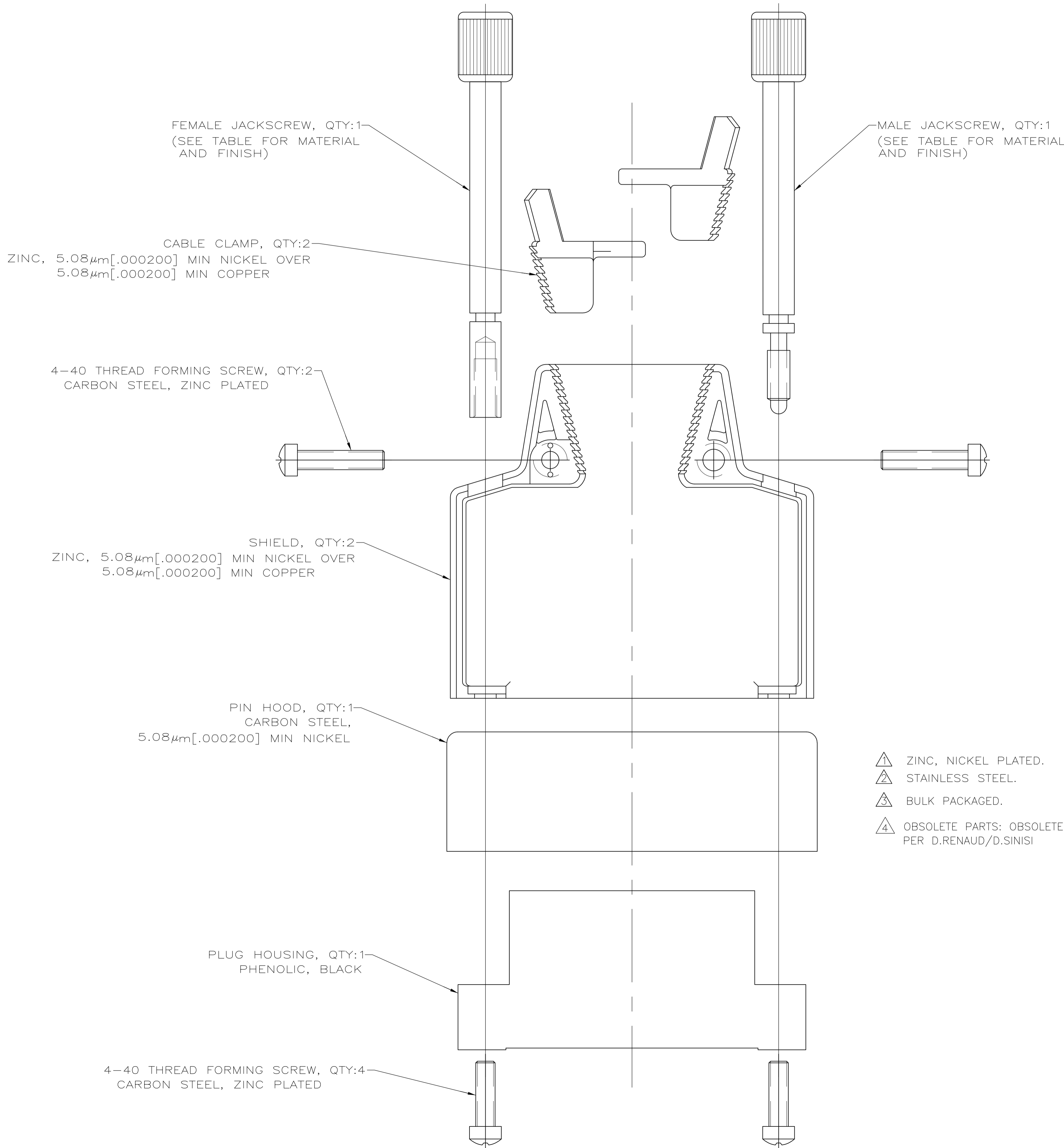


REVISIONS					
P	LTR	DESCRIPTION	DATE	DN	APVD
J2	REVISED PER	ECO-16-004000	28SEP2016	NK	MZ



- ▲ ZINC, NICKEL PLATED.
- ▲ STAINLESS STEEL.
- ▲ BULK PACKAGED.
- ▲ OBSOLETE PARTS: OBSOLETE CIS STREAMLINING PER D.RENAUD/D.SINISI

3	▲	OBSOLETE	▲	YES	3.81-7.62 [.150-.300]	1-213684-1
▲	▲	OBSOLETE	▲	NO	3.81-7.62 [.150-.300]	1-213684-0
▲	▲	OBSOLETE	▲	YES	3.81-7.62 [.150-.300]	213684-9
		SUPERSEDED BY 213603-2	▲	NO	6.35-10.16 [.250-.400]	213684-8
		OBSOLETE	▲	NO	10.16-15.24 [.400-.600]	213684-7
		SUPERSEDED	▲	YES	6.35-10.16 [.250-.400]	213684-6
		SUPERSEDED BY 213604-3	▲	YES	10.16-15.24 [.400-.600]	213684-5
		OBSOLETE	▲	YES	6.35-10.16 [.250-.400]	213684-4
▲	▲	OBSOLETE	▲	YES	10.16-15.24 [.400-.600]	213684-3
			▲	NO	6.35-10.16 [.250-.400]	213684-2
			▲	NO	10.16-15.24 [.400-.600]	213684-1
		JACKSCREW				
		PIN HOOD				
		CABLE DIAMETER				
		PART NO				

THIS DRAWING IS A CONTROLLED DOCUMENT.		DIN W.G.LENKER 6-21-91	TE Connectivity	
DIMENSIONS: mm [INCHES]		6-27-91		
TOLERANCES UNLESS OTHERWISE SPECIFIED:		APVD R STONE 6-28-91	NAME	
0 PLC ± -		A BOULLIANNE		
1 PLC ± 0.13[.005]		PRODUCT SPEC		
2 PLC ± -		APPLICATION SPEC		
3 PLC ± -		SIZE		
4 PLC ± -		CAGE CODE		
ANGLES ± -		DRAWING NO		
		RESTRICTED TO		
MATERIAL SEE CALLOUTS	FINISH SEE CALLOUTS	WEIGHT	A1 00779	213684
CUSTOMER DRAWING		SCALE 3:1	SHEET 1 OF 1	REV J2