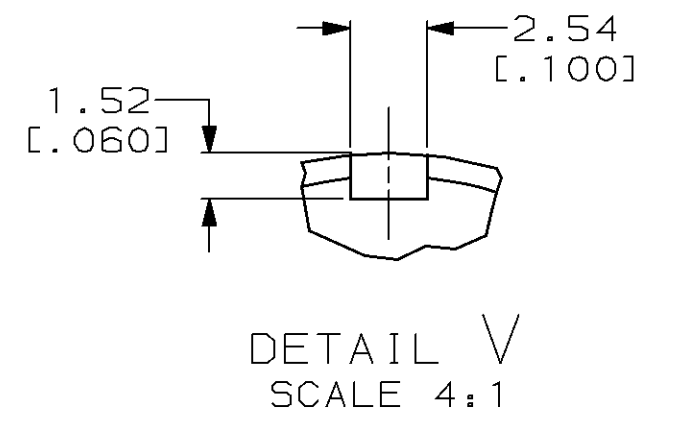
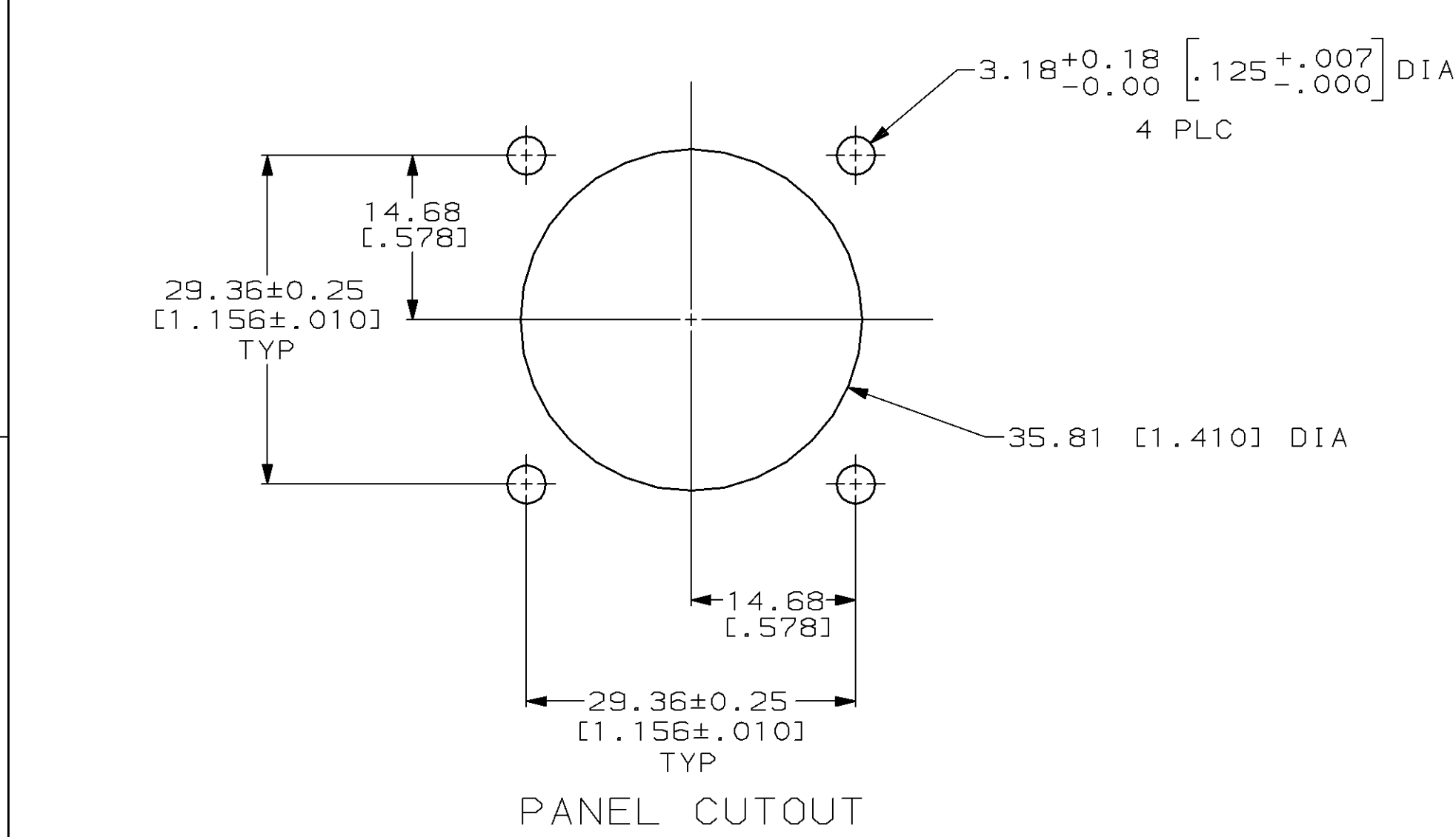
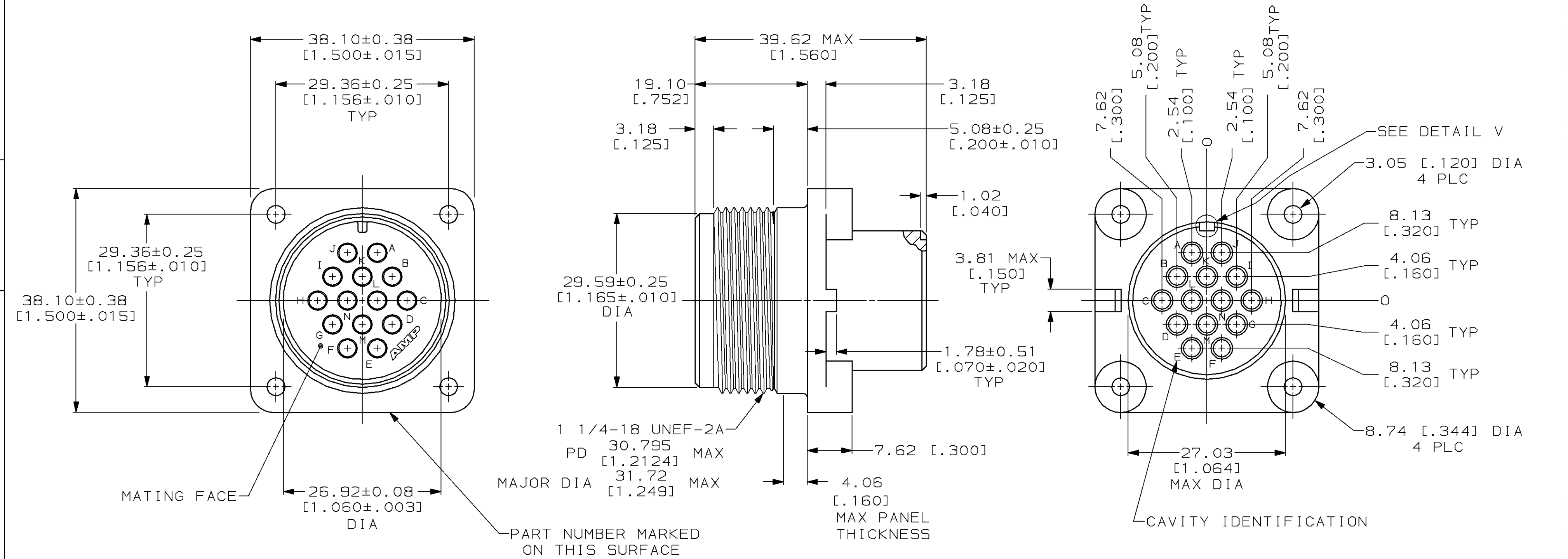


| LOC | DIST | P | F | ZONE | LTR | REVISIONS               |          |      |
|-----|------|---|---|------|-----|-------------------------|----------|------|
|     |      |   |   |      |     | DESCRIPTION             | DATE     | APPD |
| BD  | 35   |   |   |      | C   | REV PER EC 0020-299-93  | 04/12/93 | RW   |
|     |      |   |   |      | D   | REV PER EC 0020-155-94  | 03/10/94 | AF   |
|     |      |   |   |      | E   | REV PER EC 0020-0740-94 | 07/13/94 | AF   |
|     |      |   |   |      | F   | REV PER EC 0020-0657-95 | 06/27/95 | RB   |



1. RECEPTACLE MATES WITH PRODUCT DESIGNED TO MIL SPEC 5015.
2. RECEPTACLE WILL ACCEPT TYPE III+ PIN CONTACTS.

|   |                 |                        |           |   |  |
|---|-----------------|------------------------|-----------|---|--|
| DO NOT SCALE PRINT. UNLESS SPECIFIED DIMENSIONS IN mm [INCHES] TOLERANCES ON: |                 | DR 01/17/91 L.SIPE     |           | 213651-1                                      |  |
| 2 PLC DEC ± 0.13 [0.005]  |                 | CHK 1-30-91 R.STONE    |           | PART NO                                       |  |
| 3 PLC DEC ± -   |                 | APPD 1-30-91 K.BEAVER  |           | AMP Incorporated<br>Harrisburg, PA 17105-3608 |  |
| ANGLES ± -  |                 | APPD 1-31-91 J.FULPONI |           |   |  |
| MATERIAL  | POLYAMID, BLACK | PRODUCT SPEC           | 108-10024 | NAME  |  |
| FINISH  | -               | APPLICATION SPEC       | 114-10004 | RECEPTACLE, 20-14 ARR, STANDARD SEX, CPC      |  |
|   |                 | SIZE                   | CAGE CODE | DRAWING NO                                    |  |
|   |                 | SCALE                  | 00779     | 213651  |  |
|   |                 | WEIGHT                 | -         | SHEET 1 OF 1                                  |  |