

THIS DRAWING IS UNPUBLISHED. RELEASED FOR PUBLICATION DEC.2007.
 © COPYRIGHT 2007 By Tyco Electronics Japan G.K. ALL RIGHTS RESERVED.

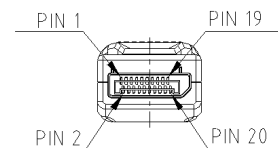
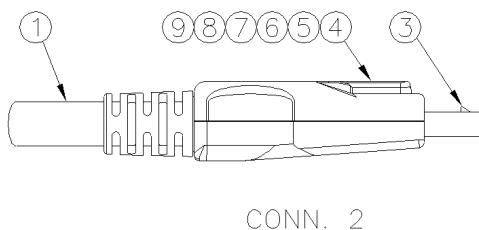
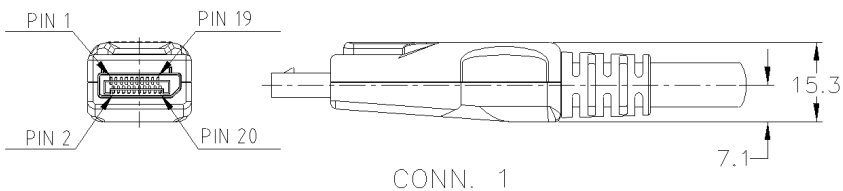
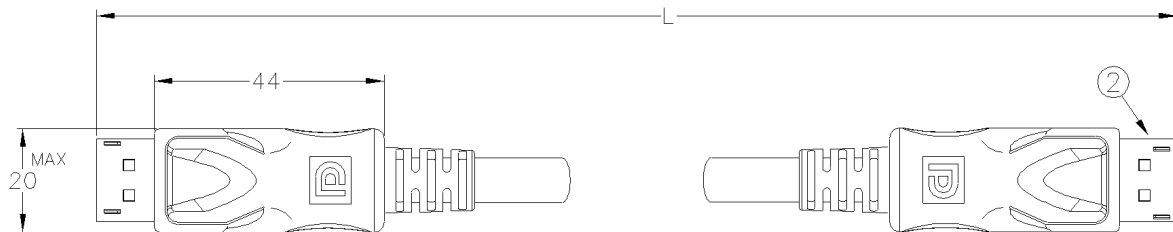
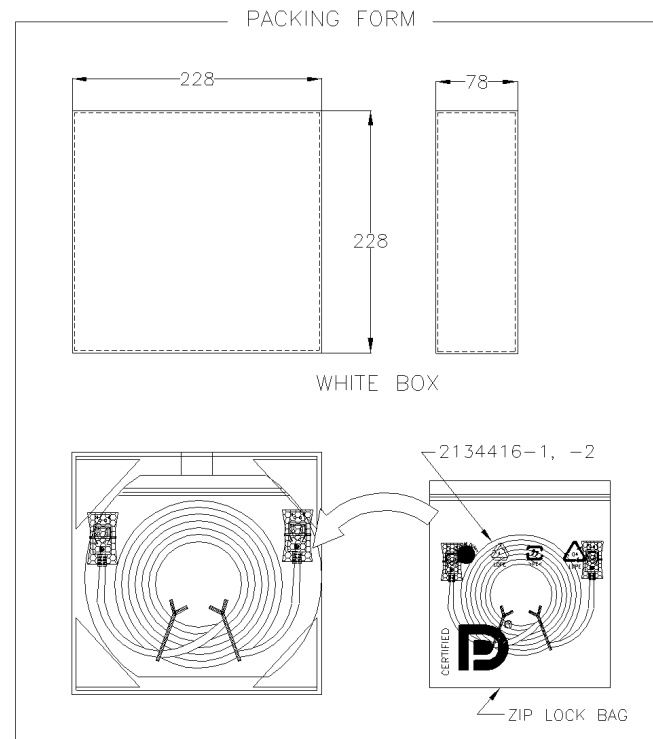
LOC	DIST	REVISIONS			
J		変更			
P	LTR	DESCRIPTION	DATE	DWN	APVD
A		RELEASED	23MAR2011	H.S	I.I

<CONNECTION TABLE>

WIRE FUNCTION	CONN.1	CONN.2	WIRE FUNCTION
MLO(P)	PIN 1	PIN 12	MLO(P)
GND	PIN 2	PIN 11	GND
MLO(N)	PIN 3	PIN 10	MLO(N)
ML1(P)	PIN 4	PIN 9	ML1(P)
GND	PIN 5	PIN 8	GND
ML1(N)	PIN 6	PIN 7	ML1(N)
ML2(P)	PIN 7	PIN 6	ML2(P)
GND	PIN 8	PIN 5	GND
ML2(N)	PIN 9	PIN 4	ML2(N)
ML3(P)	PIN 10	PIN 3	ML3(P)
GND	PIN 11	PIN 2	GND
ML3(N)	PIN 12	PIN 1	ML3(N)
GND	PIN 13	PIN 13	GND
GND	PIN 14	PIN 14	GND
AUX(P)	PIN 15	PIN 15	AUX(P)
GND	PIN 16	PIN 16	GND
AUX(N)	PIN 17	PIN 17	AUX(N)
HPD	PIN 18	PIN 18	HPD
RE-PWR	PIN 19	PIN 19	RE-PWR
PWR	PIN 20	PIN 20	PWR
SHELL		SHELL	

2134816-1,-2: AS SHOWN

#1
 REMARKS :
 THIS P/N ONLY REPRESENTS "CABLE ASSEMBLY ITSELF"
 AND IS NOT SOLD DIRECTLY AND
 PLEASE REFER TO "PACKAGE P/N" RESPECTIVELY AS AN ORDERABLE AND
 SHIPPABLE PRODUCT WHICH IS PACKED TO BE DURABLE
 FOR THE APPROPRIATE TRANSPORTATION OUT OF MANUFACTURING LOCATION.



2	P.C.B.	⑨
2	BUSHING	⑧
2	BOTTOM-COVER	⑦
2	UPPER-COVER	⑥
2	BOTTOM-SHELL	⑤
2	UPPER-SHELL	④
4	LATCH	③
2	CONNECTOR-ASSY.	②
1	CABLE	①
QTY	DESCRIPTION	ITEM

2134816-2	#1 2134416-2	15000 ±200	AVAILABLE
2134816-1	#1 2134416-1	10000 ±200	AVAILABLE
PACKAGE PART NUMBER (SALEABLE PART NUMBER)	CABLE ASSEMBLY PART NUMBER (NOT FOR SALE)	LENGTH	-

THIS DRAWING IS A CONTROLLED DOCUMENT.

DWN H.SUZUKI 06OCT2010
 CHK Y.OKOSHI 06OCT2010
 APVD LIGARASHI 06OCT2010
 PRODUCT SPEC 製品規格 108-78826
 APPLICATION SPEC 取付適用規格

TE Connectivity
 DISPLAYPORT
 LONG REACH CABLE ASSEMBLY
 WITH LATCH

SIZE A3 CAGE CODE 00779 DRAWING NO. 番号 C-2134816 RESTRICTED TO -

WEIGHT
 MATERIAL 材料
 FINISH 仕上

CUSTOMER DRAWING SCALE 尺度 NTS SHEET 1 OF 1 REV A