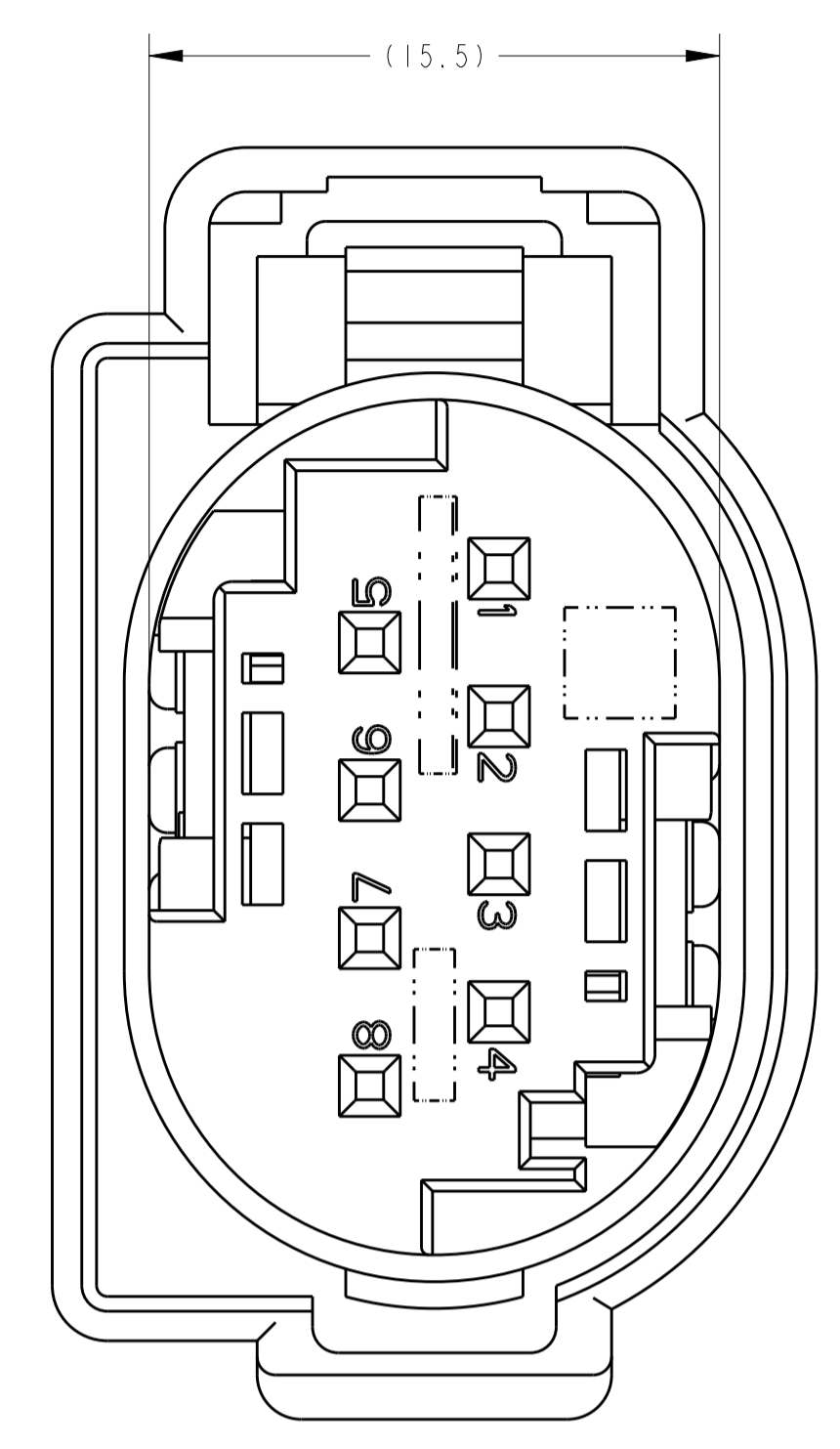
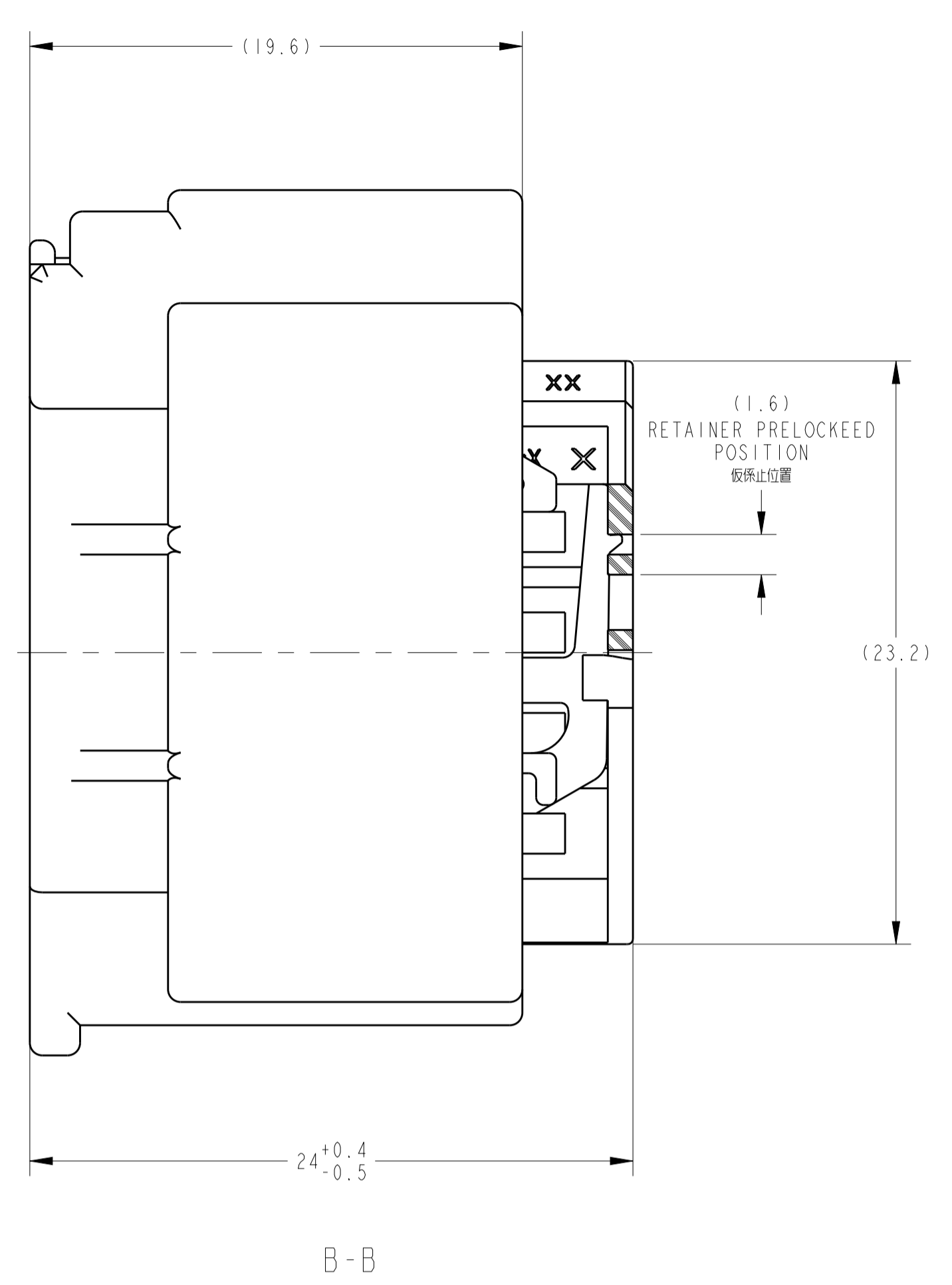
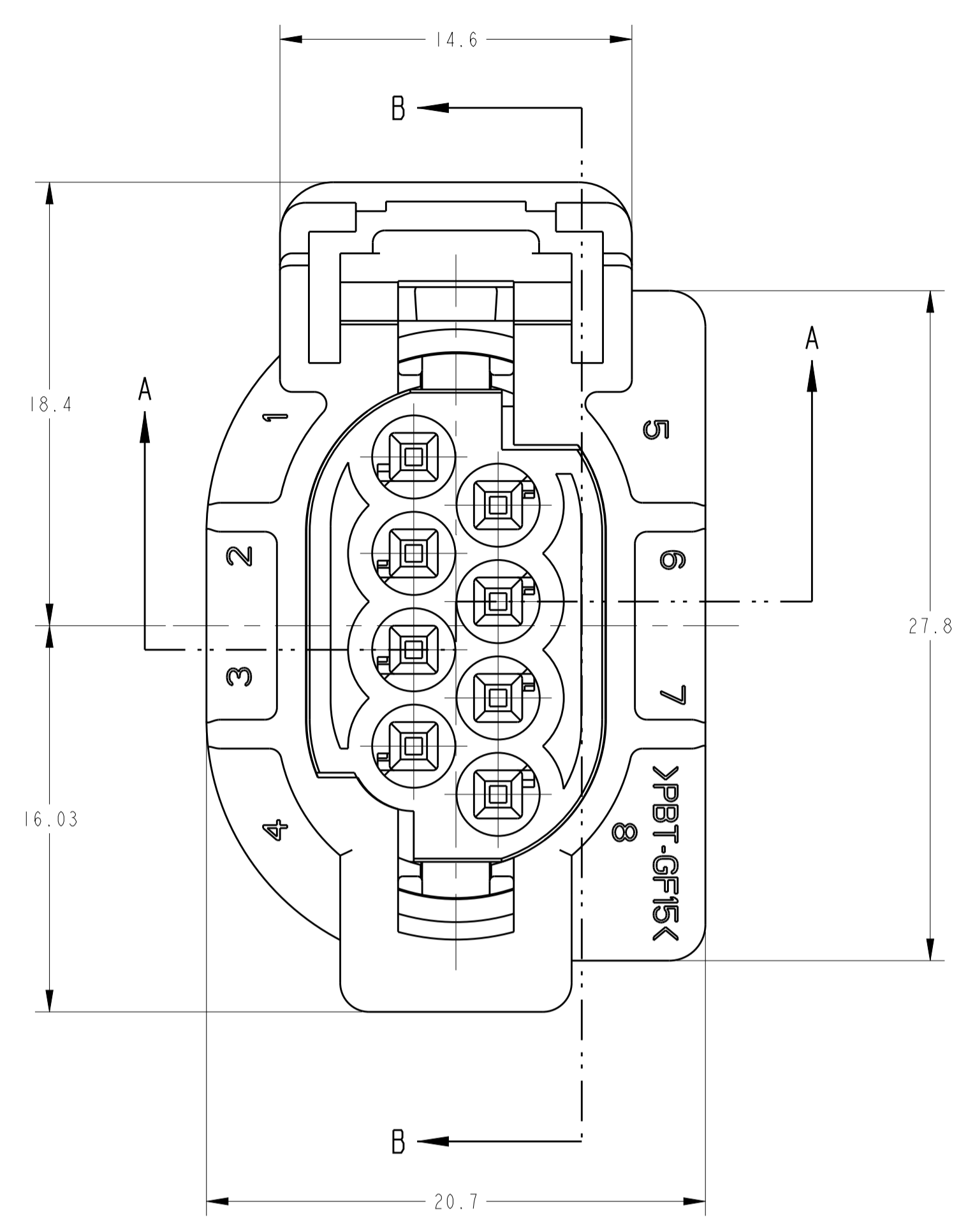
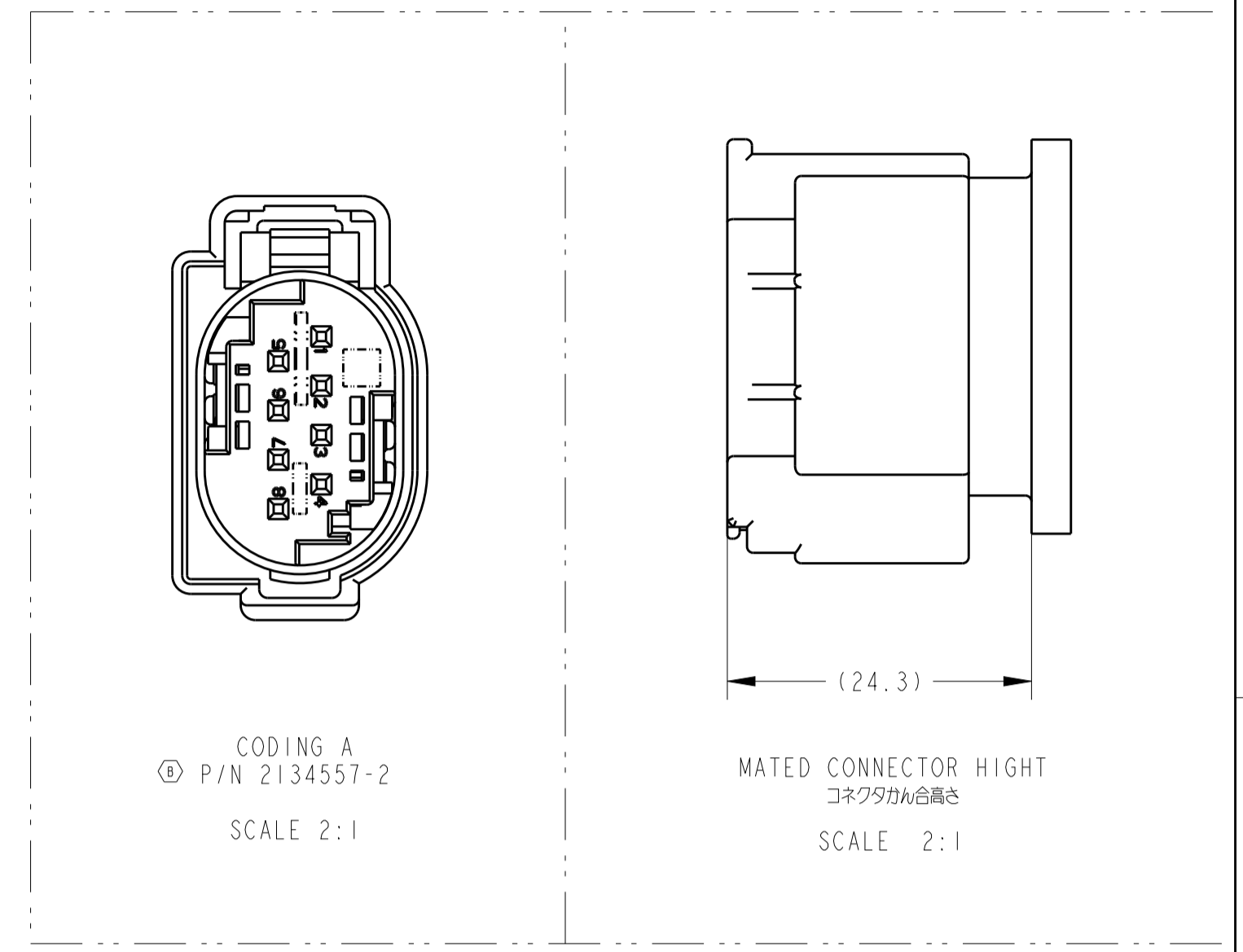


© P/N 2134557-1 AS SHOWN

LOC		DIST		REVISIONS			
P	LTN	DESCRIPTION	DATE	DWN	APVD		
A		RELEASED	27MAY2011	SS	YF		
B		REVISED ECR-16-002029	10FEB2016	KY	TK		



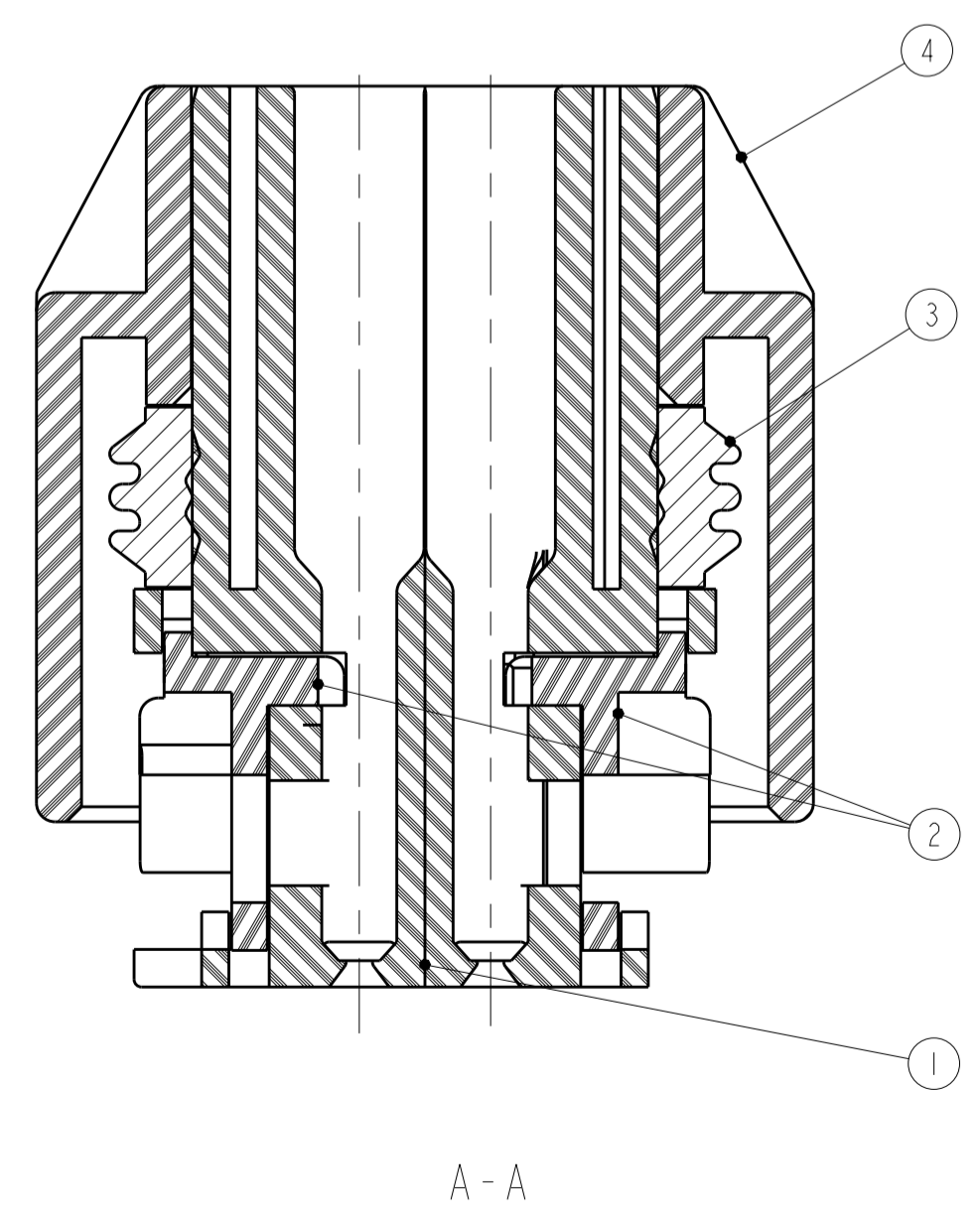
CORDING A



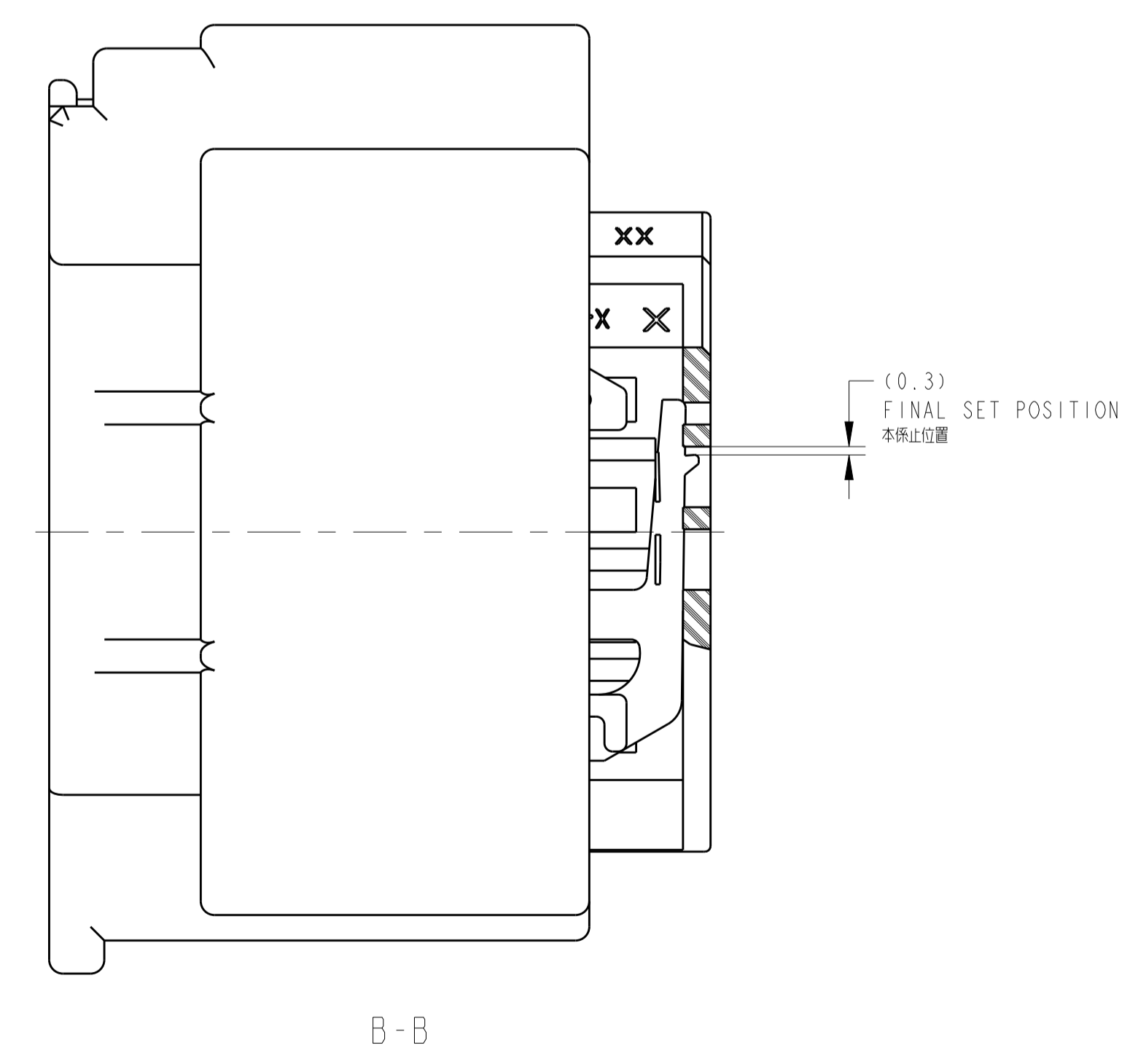
CODING A
 © P/N 2134557-2
 SCALE 2:1

MATED CONNECTOR HIGHT
 コネクタかん合高さ
 SCALE 2:1

1. RETAINER HAS TO BE FIXED IN PRESET POSITION.
 2. APPLICABLE CONTACT PART NUMBER ; SEE TABLE-2.
 3. INTERFACE DRAWING 114-18063-128
 - ④ 4. INSTRUCTION SHEET ; 408-78005
1. リテーナーは仮係止位置であること
 2. 適用端子型番 ; TABLE-2参照
 3. 推奨かん合開口図 114-18063-128
 - ④ 4. 取扱説明書 ; 408-78005



A-A



B-B

CONTACT PART NO 適用端子型番	WIRE RENG 適用電線	SINGLE WIRE SEAL PART NO ワイヤーシール型番
965906	0.75mm ²	967067
962885	0.3-0.5mm ²	

TABLE-2

QTY 数量	FINISH 仕上	MATERIAL 材料	REMARKS	PART NAME 部品名称	ITEM NO	
④-2		BLACK	PBT GF15%	JAPAN	PROTECTIVE COVER 8POSITION	4
		INDIAN RED	SILICON	JAPAN	SEAL RING	3
		NATURAL	PBT GF15%	JAPAN	RETAINER 8POSITION	④ 2
		GREEN	PBT GF15%	GERMANY	RETAINER 8POSITION	2
		BLACK	PBT GF15%	JAPAN	SOCKET HOUSING 8POSITION	④ 1
		BLACK	PBT GF15%	GERMANY	SOCKET HOUSING 8POSITION	1

PRODUCT NUMBER 製品番号

COMPONENT PART / 構成部品

THIS DRAWING IS A CONTROLLED DOCUMENT.

DIMENSIONS: mm

TOLERANCES UNLESS OTHERWISE SPECIFIED: ±0.3

MATERIAL: SEE TABLE

FINISH: SEE TABLE

APVD: S. SAKAGUCHI, Y. NOGUCHI, Y. FUJIMURA

DATE: 27MAY2011

NAME: SOCKET HOUSING ASSEMBLY MOS 8POSITION

SIZE: A1

SCALE: 5:1

SHEET: 1 OF 1

REV: B

TE Connectivity

00779 ©=2134557