

THIS DRAWING IS UNPUBLISHED.

RELEASED FOR PUBLICATION

20

© COPYRIGHT 20 BY -

ALL RIGHTS RESERVED.

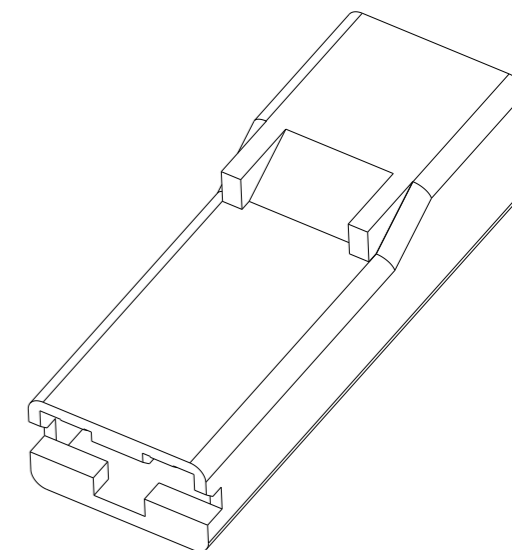
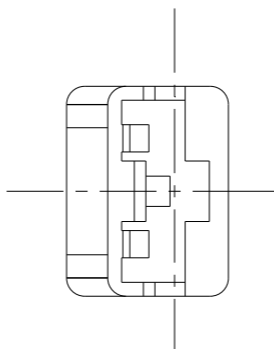
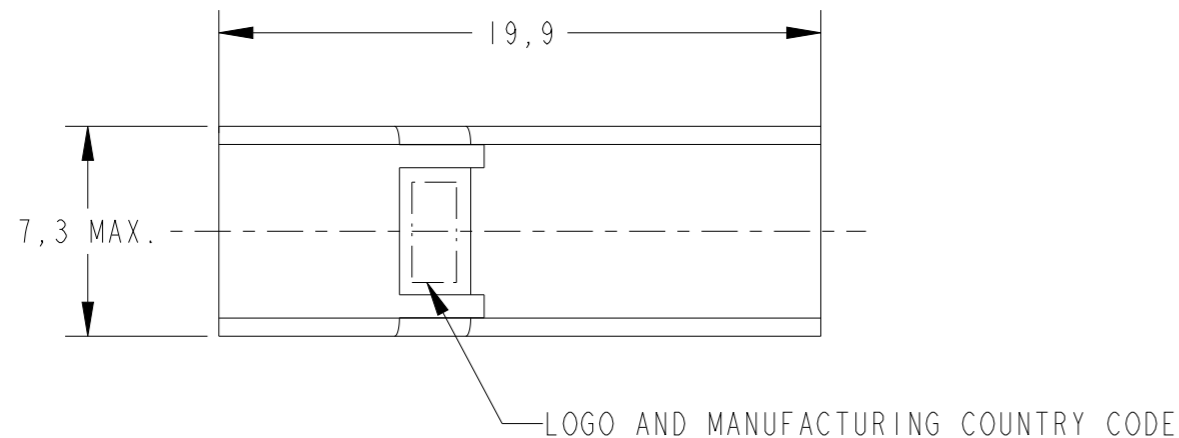
LOC AP DIST -

REVISIONS

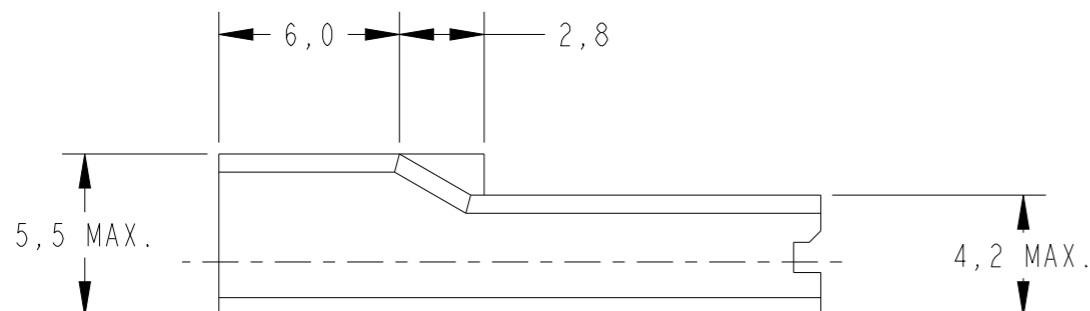
P	LTR	DESCRIPTION	DATE	DWN	APVD
	C	REVISED PER ECN-23214009	23MAY2023	WLS	JS



DO NOT REVISE EXCEPT BY CAD



△ RAW MATERIAL ACC. TO SPEC. IEC 60335-1, GWEPT 750°C, WITHOUT FLAME.



	NATURAL	△	2-2133394-2
	NATURAL	PA6.6V0 OR PA6.6V0+PA6V0	2-2133394-1
OBSELETE	AMARELO/YELLOW	PA 6.6	1-2133394-4
	VERMELHO/RED	PA 6.6	1-2133394-3
	PRETO/BLACK	PA 6.6	1-2133394-2
	NATURAL/NATURAL	PA 6.6	1-2133394-1
	NATURAL/NATURAL	POLIPROPILENO/POLYPROPYLENE	2133394-2
	PRETO/BLACK	POLIPROPILENO/POLYPROPYLENE	2133394-1
	FINISH	MATERIAL	PART NUMBER

THIS DRAWING IS A CONTROLLED DOCUMENT.

DWN H.C.CANTER 17AUG2011
CHK W.L.STEFANI 17AUG2011



DIMENSIONS:	TOLERANCES UNLESS OTHERWISE SPECIFIED:
mm	
	0 PLC ± ⁻
	1 PLC ±0,5
	2 PLC ± ⁻
	3 PLC ± ⁻
	4 PLC ± ⁻
	ANGLES ±1°
MATERIAL -	FINISH -

APVD -
PRODUCT SPEC -
APPLICATION SPEC -
WEIGHT -

NAME
HOUSING, .187 SERIES, FASTON REC.
SIZE A3 CAGE CODE 00779 DRAWING NO. C-2133394 RESTRICTED TO -

Customer Drawing SCALE 4:1 SHEET 1 OF 1 REV C