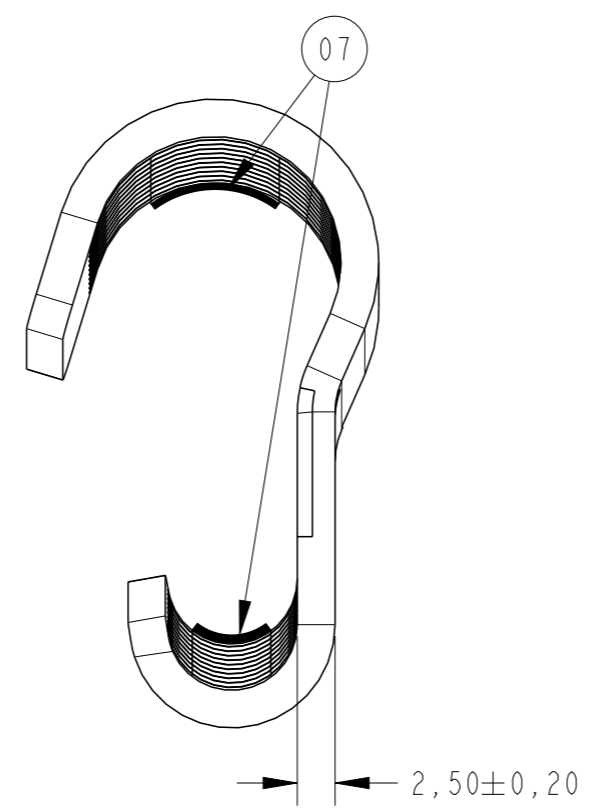
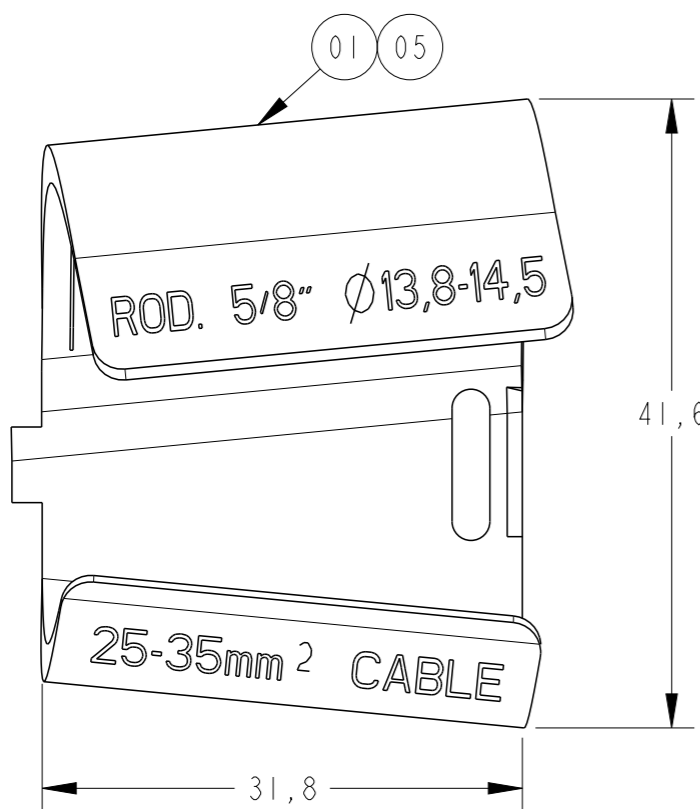


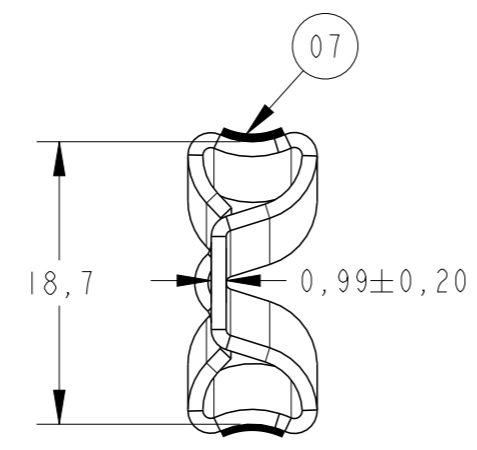
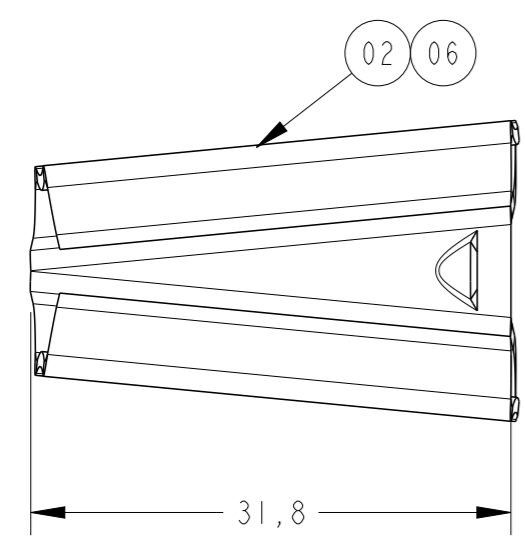
THIS DRAWING IS UNPUBLISHED. RELEASED FOR PUBLICATION 2011  
 © COPYRIGHT 2011 BY - TE Connectivity ALL RIGHTS RESERVED.

LOC	DIST	REVISIONS			
P	LTR	DESCRIPTION	DATE	DWN	APVD
AP	-				
	A	RELEASED	22MAR2011	VF	JAL
	B	REVISED BY ECO-11-025076	14DEC2011	VF	JAL

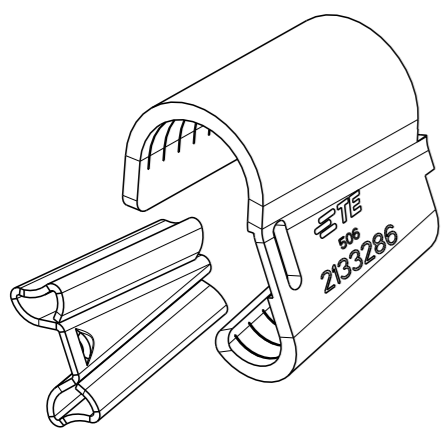


1 - PACKAGED IN PLASTIC BAG, CONTAINED USUAL COMBINATIONS ENGRAVING.

1 - EMBALADO EM SACO PLÁSTICO, CONTENDO GRAVAÇÕES DAS COMBINAÇÕES USUAIS.



REQ. PER ASS'Y	ITEM	FINISH	MATERIAL	DESCRIPTION
1	1	7	---	INHIBITOR
1	---	6	TIN ESTANHADO	COPPER ALOY LIGA DE COBRE
1	---	5	TIN ESTANHADO	COPPER ALOY LIGA DE COBRE
1	---	4	---	POLYPROPYLENE POLIPROPILENO
---	1	3	---	POLYPROPYLENE POLIPROPILENO
---	1	2	UNPLATED SEM ESTANHO	COPPER ALOY LIGA DE COBRE
---	1	1	UNPLATED SEM ESTANHO	COPPER ALOY LIGA DE COBRE
-2	-1			



THIS DRAWING IS A CONTROLLED DOCUMENT.

DIMENSIONS: mm	TOLERANCES UNLESS OTHERWISE SPECIFIED:	DWN V. FUZETTI 23MAR2011	<b>STE</b> TE Connectivity
	0 PLC ±- 1 PLC ±1,0 2 PLC ±- 3 PLC ±- 4 PLC ±- ANGLES ±- FINISH	CHK L.O.M. BORELLI 23MAR2011	
MATERIAL SEE TABLE	SEE TABLE	APVD J.A. LA SALVIA 23MAR2011	NAME WEDGE GROUNDING CONNECTOR 5/8x25-35 & DWG_TITLE_2
		PRODUCT SPEC 108-37093	SIZE A3 CAGE CODE 00779 DRAWING NO C-2133286 RESTRICTED TO -
		APPLICATION SPEC -	SCALE - SHEET 1 OF 1 REV B
		WEIGHT -	CUSTOMER DRAWING