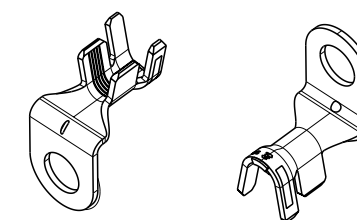
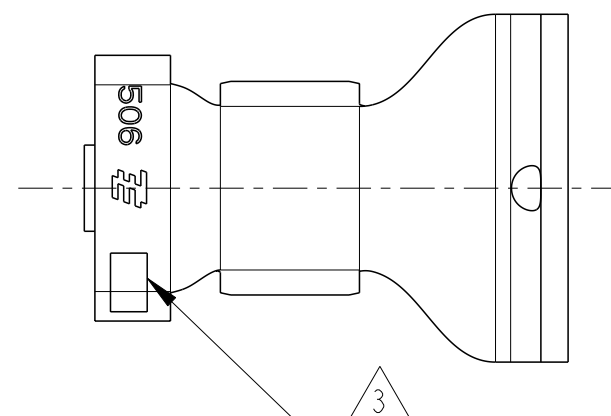
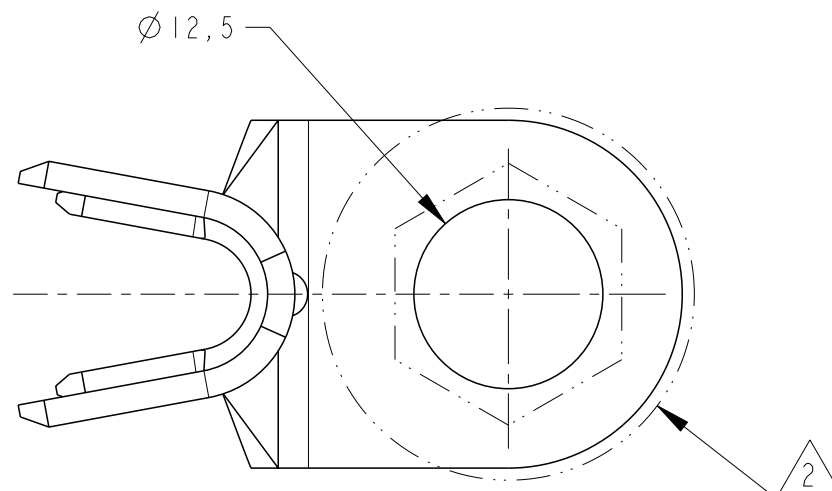
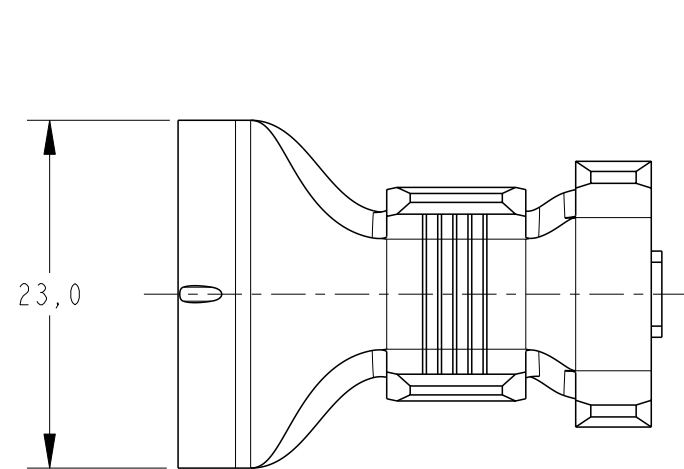


LOC AP

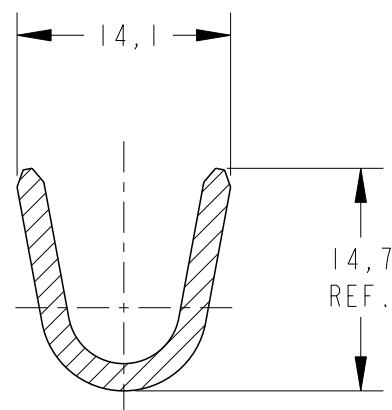
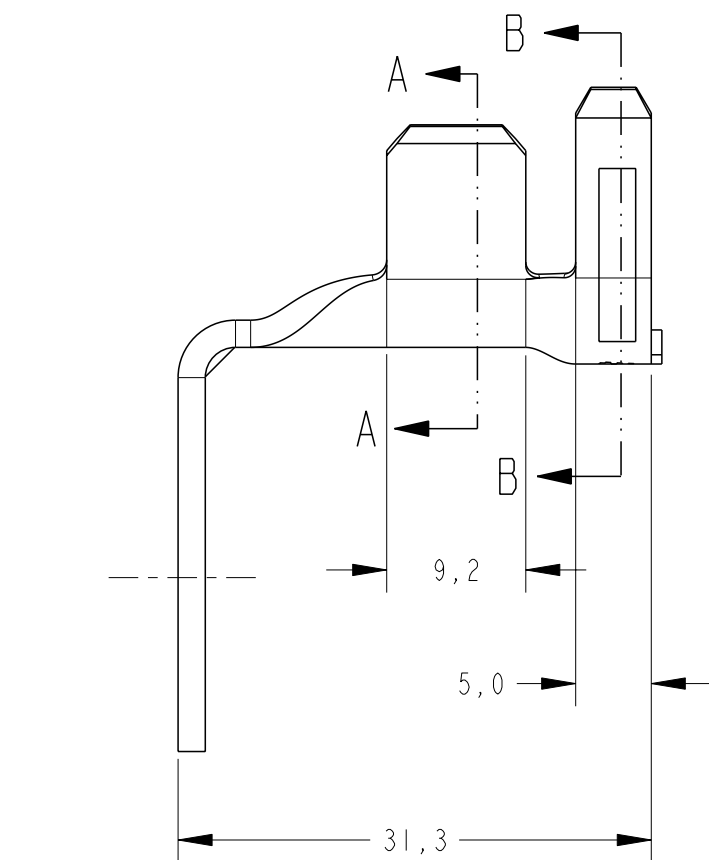
DIST -

REVISIONS

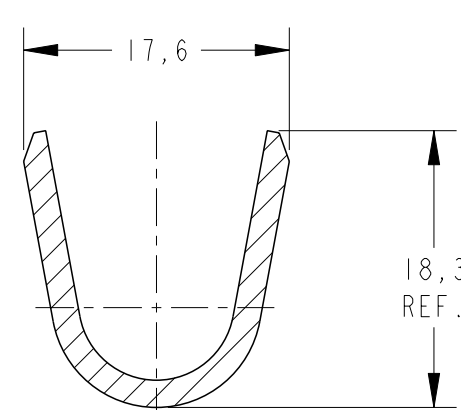
P	LTR	DESCRIPTION	DATE	DWN	APVD
	A	STATUS CHANGED BY ECO-11-023116	21NOV2011	PP	MG
	B	REVISED BY ECO-12-014103	09AUG2012	MAS	MG



PERSPECTIVE VIEWS SCALE 1:2



SECTION A-A SCALE 2:1



SECTION B-B SCALE 2:1

1 - É REQUERIDA A PRÉVIA APROVAÇÃO PELA ENGENHARIA DE PRODUTO TE PARA AUTORIZAÇÃO DE FORNECIMENTO DA PEÇA.  
 - TE PRODUCT ENGINEERING APPROVAL IS REQUIRED PRIOR TO AUTHORIZATION OF PART SUPPLY.

2 - SOQUETE PARA PARAFUSAMENTO PORCA M12, (ØEXT. 24,6 TYP.); APENAS P/ ILUSTRAÇÃO DO ESPAÇO DISPONÍVEL.  
 - M12 NUT SCREWING SOCKET (EXT. DIA. 24,6 TYP.); ONLY TO SHOWN AVAILABLE SPACE ILUSTRATION.

3 - LETRA DE RIVISÃO DA PEÇA  
 - PART REVISION LETTER

LOOSE PIECE	ESTANHADO / TIN PLATED	LATÃO/BRASS	2133034-6
LOOSE PIECE	NÚ / PLAIN	LATÃO/BRASS	2133034-5
LOOSE PIECE	ESTANHADO / TIN PLATED	LATÃO/BRASS	2133034-4
LOOSE PIECE	NÚ / PLAIN	LATÃO/BRASS	2133034-3
LOOSE PIECE	ESTANHADO / TIN PLATED	LATÃO/BRASS	2133034-2
LOOSE PIECE	NÚ / PLAIN	LATÃO/BRASS	2133034-1

SUPPLIED	FINISH	MATERIAL	PART NUMBER
----------	--------	----------	-------------

WIRE RANGE	INSUL. RANGE
25-35mm <sup>2</sup>	Ø8,5~11,5mm

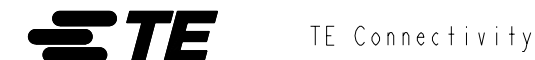
THIS DRAWING IS A CONTROLLED DOCUMENT.

DWN 25MAY2010 R.K.S.T. LEME

CHK 28MAY2010 C.G. MARTINS

APVD 28MAY2010 D.A. OLIVEIRA

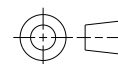
NAME



TERMINAL RING TONGUE

DIMENSIONS:

mm



TOLERANCES UNLESS OTHERWISE SPECIFIED:

0 PLC	±0,3
1 PLC	±0,3
2 PLC	±0,3
3 PLC	±0,3
4 PLC	±0,3
ANGLES	±1°

MATERIAL SEE TABLE

FINISH SEE TABLE

PRODUCT SPEC - / -

APPLICATION SPEC - / -

WEIGHT - / -

SIZE	CAGE CODE	DRAWING NO	RESTRICTED TO
A3	-	2133034	-

CUSTOMER DRAWING

SCALE 2:1

SHEET 1 OF 2 REV B

4

3

2

1

THIS DRAWING IS UNPUBLISHED.

RELEASED FOR PUBLICATION

20

© COPYRIGHT 20

BY -

ALL RIGHTS RESERVED.

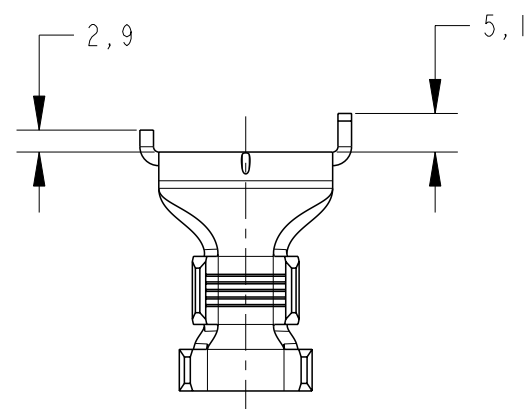
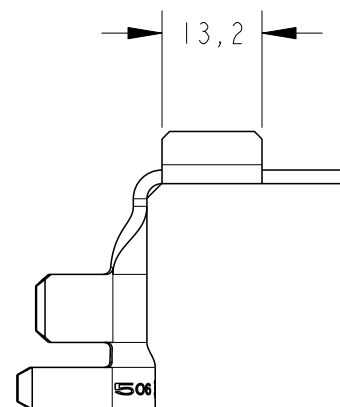
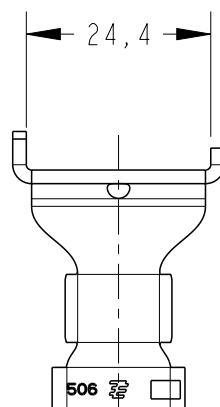
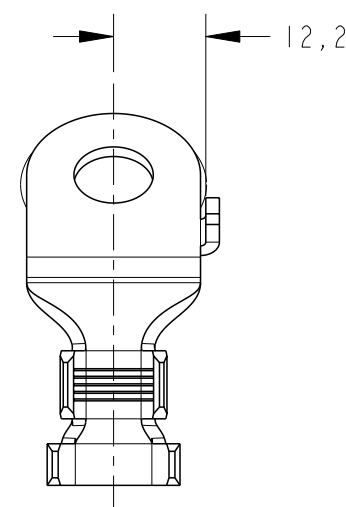
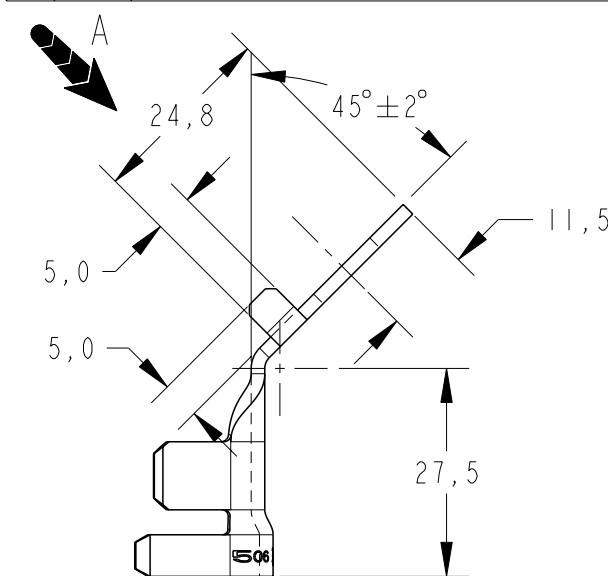
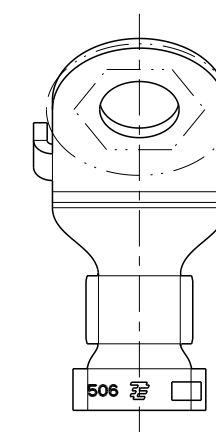
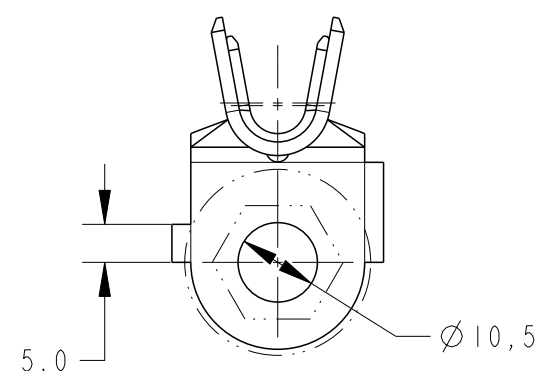
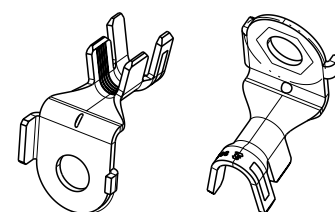
LOC  
APDIST  
-

REVISIONS

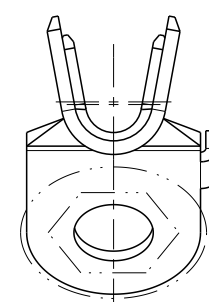
P	LTR	DESCRIPTION	DATE	DWN	APVD
	-	SEE SHEET 1	-	-	-



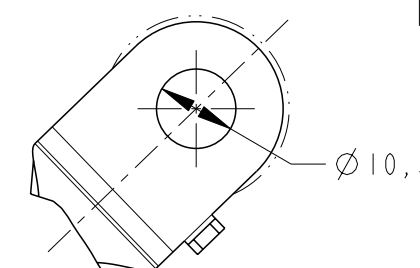
**DO NOT REVISE  
EXCEPT BY CAD**

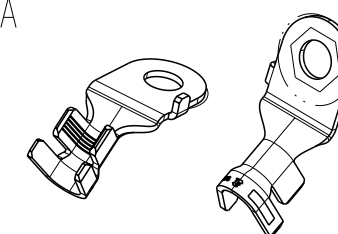
PERSPECTIVE VIEWS  
SCALE 1:2



**2133034-5  
2133034-6**



VISTA A



PERSPECTIVE VIEWS  
SCALE 1:2

**2133034-3  
2133034-4**

DEMAIS DIMENSÕES VER FOLHA 1 DE 1  
OTHERS DIMENSIONS SEE SHEET 1 OF 1

DEMAIS DIMENSÕES VER FOLHA 1 DE 1  
OTHERS DIMENSIONS SEE SHEET 1 OF 1

THIS DRAWING IS A CONTROLLED DOCUMENT.

DWN 25MAY2010

R.K.S.T.LEME

CHK 28MAY2010

C.G.MARTINS

APVD 28MAY2010

D.A.OLIVEIRA

NAME



TE Connectivity

TERMINAL RING TONGUE

DIMENSIONS:

mm

TOLERANCES UNLESS OTHERWISE SPECIFIED:

0 PLC	±-
1 PLC	±0,3
2 PLC	±-
3 PLC	±-
4 PLC	±-
ANGLES	±1°

MATERIAL SEE TABLE

FINISH SEE TABLE

WEIGHT -/-

SIZE

A3

CAGE CODE

-

DRAWING NO

C-2133034

RESTRICTED TO

-

CUSTOMER DRAWING

SCALE 2:1

SHEET 2 OF 2

REV B

1470-19 (3/11)