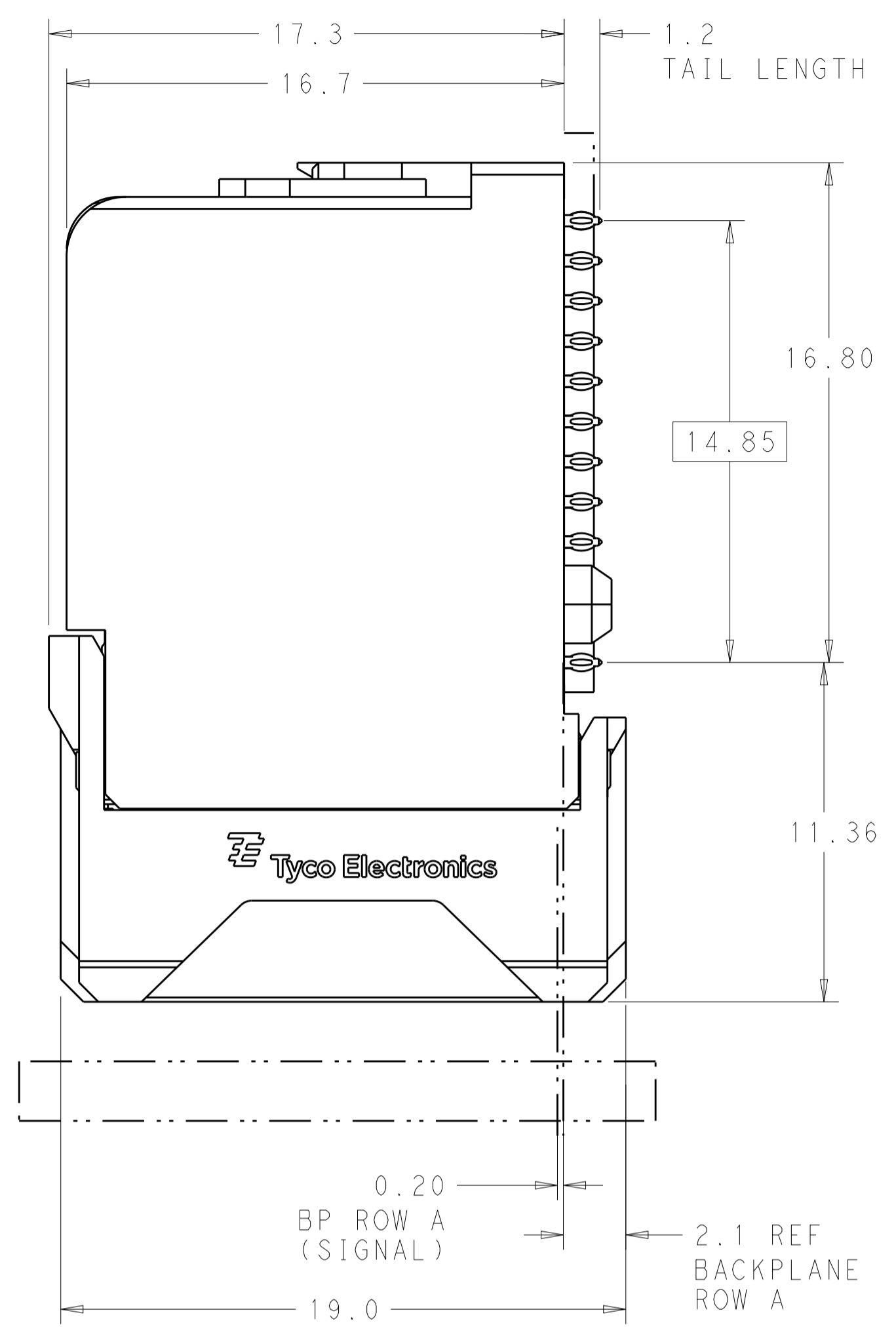
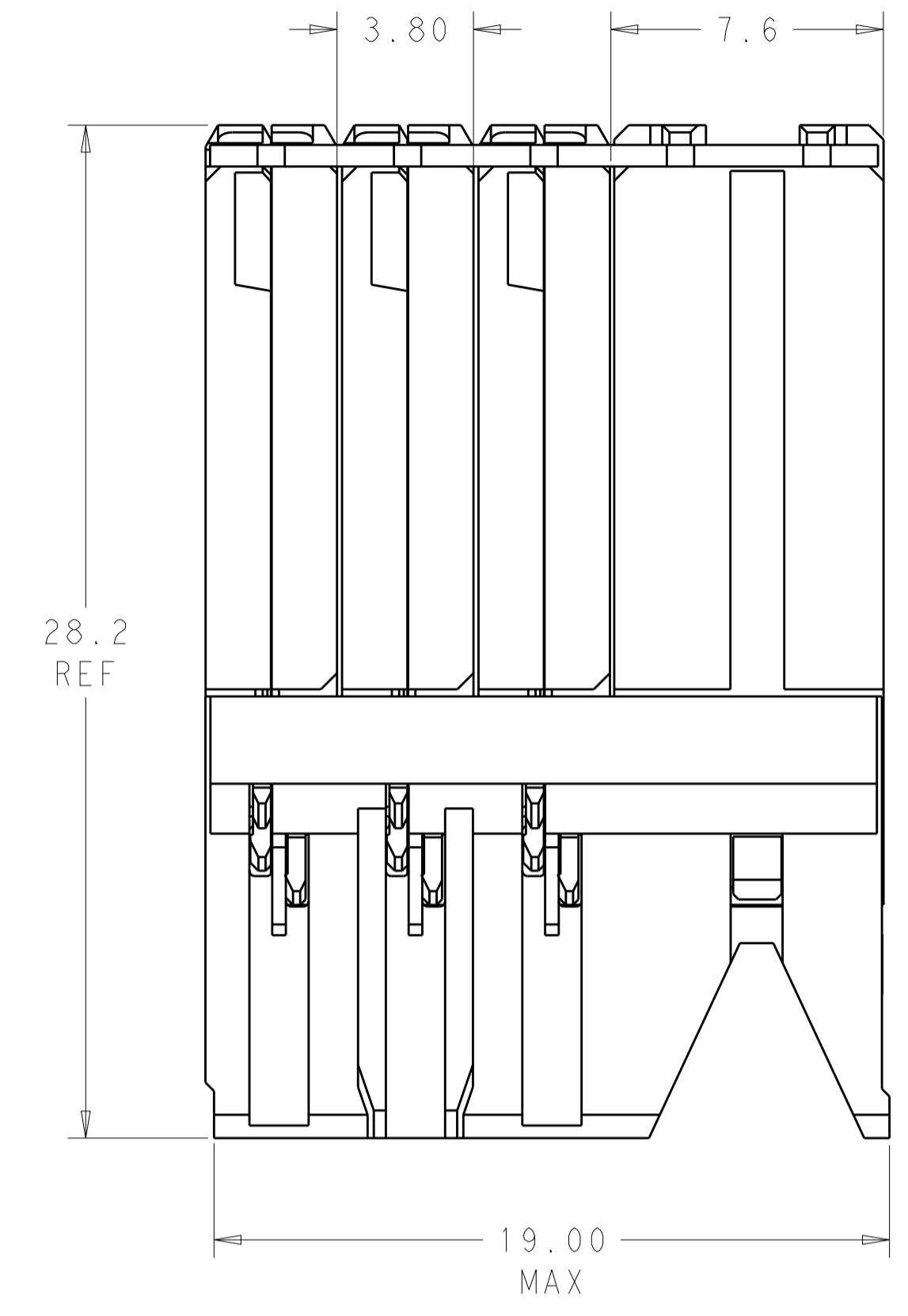


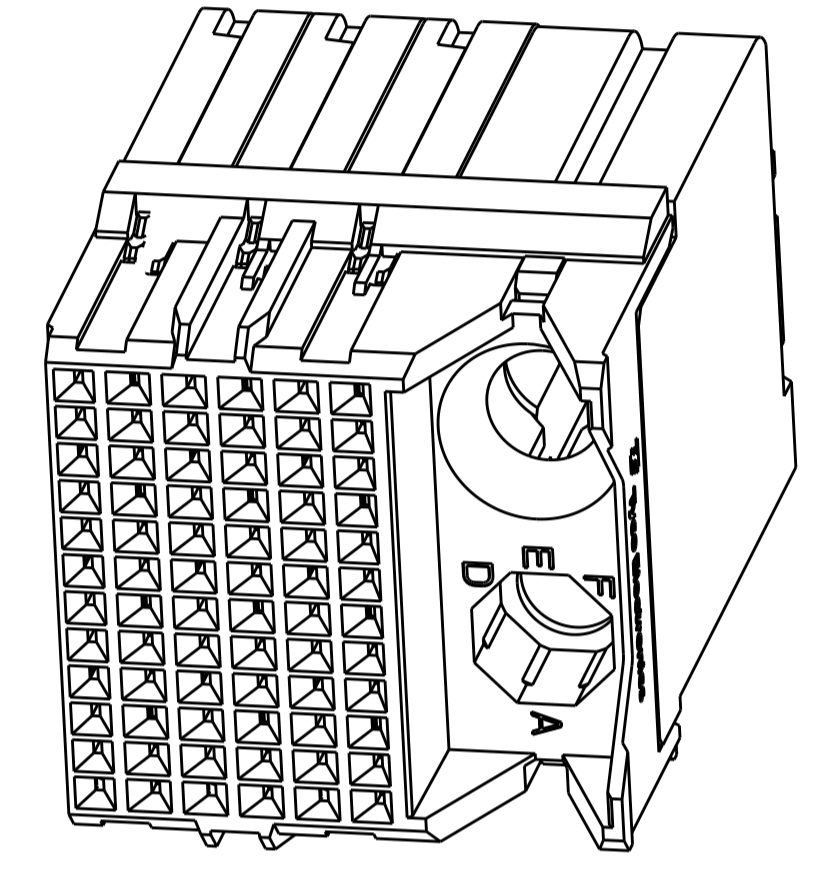
REVISIONS				
P.	LTN.	DESCRIPTION	DATE	APVD.
A		REVISED PER ECO-14-018036	18FEB2015	AP DD



⚠ MATERIAL:
 HOUSING: LCP, GLASS FILLED, UL94V-0.
 TERMINALS: HIGH PERFORMANCE COPPER ALLOY.

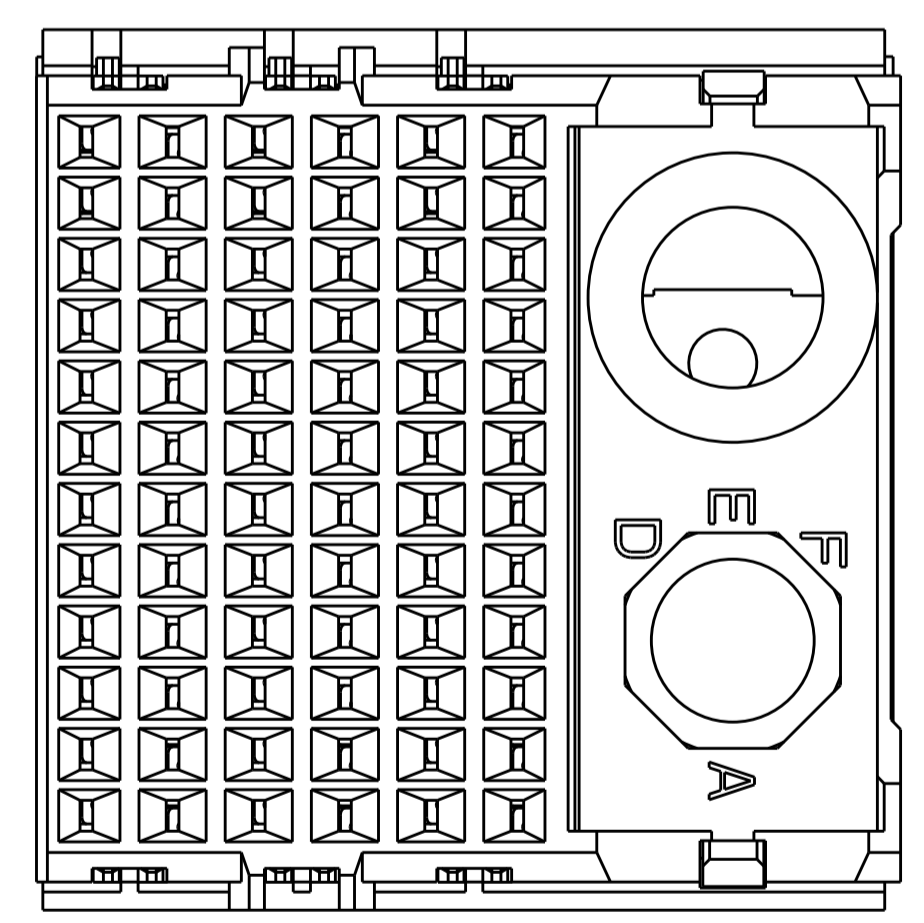
⚠ FINISH:
 30µ" SELECTIVE GOLD IN CONTACT AREA. SELECTIVE TIN ON PCB TAILS, NICKEL OVERALL.

3. CONNECTORS SUPPLIED WITH MOUNTING SCREWS.

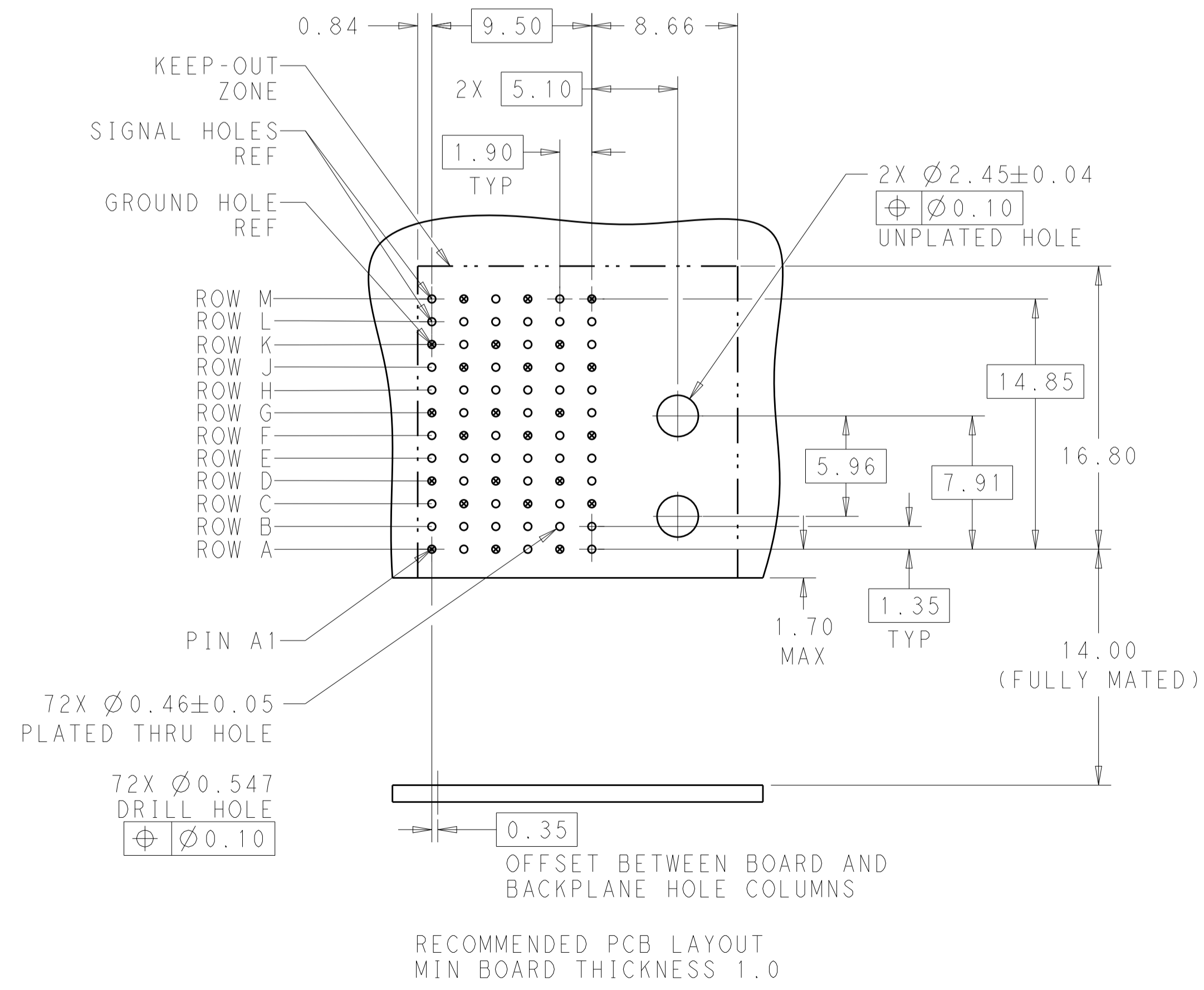


SCALE 4:1

REFER TO WWW.TE.COM FOR PRODUCT AVAILABILITY



KEY POSITION CHART	
	NONE
	A
	B
	C
	D
	E
	F
	G
	H



KEY POSITION	FINISH	PART NUMBER
H	⚠	8-2132741-1
G	⚠	7-2132741-1
F	⚠	6-2132741-1
E	⚠	5-2132741-1
D	⚠	4-2132741-1
C	⚠	3-2132741-1
B	⚠	2-2132741-1
A	⚠	1-2132741-1
NONE	⚠	2132741-1

THIS DRAWING IS A CONTROLLED DOCUMENT. DWG: RIRAN_HOJAL_20NOV2012
 CHK: D.DIXON_20NOV2012
 APVD: D.DIXON_20NOV2012

TE TE Connectivity

NAME: IMPACT, 4 PAIR, DAUGHTERCARD
 PRODUCT SPEC: 6 COLUMN, RIGHT GUIDED, SIGNAL
 APPLICATION SPEC: MODULE, 0.46 EYELET

SIZE: A1 CAGE CODE: DRAWING NO: 00779 ©=2132741
 WEIGHT: - RESTRICTED TO: -

Customer Drawing SCALE: 6:1 SHEET: 1 OF 1 REV: A