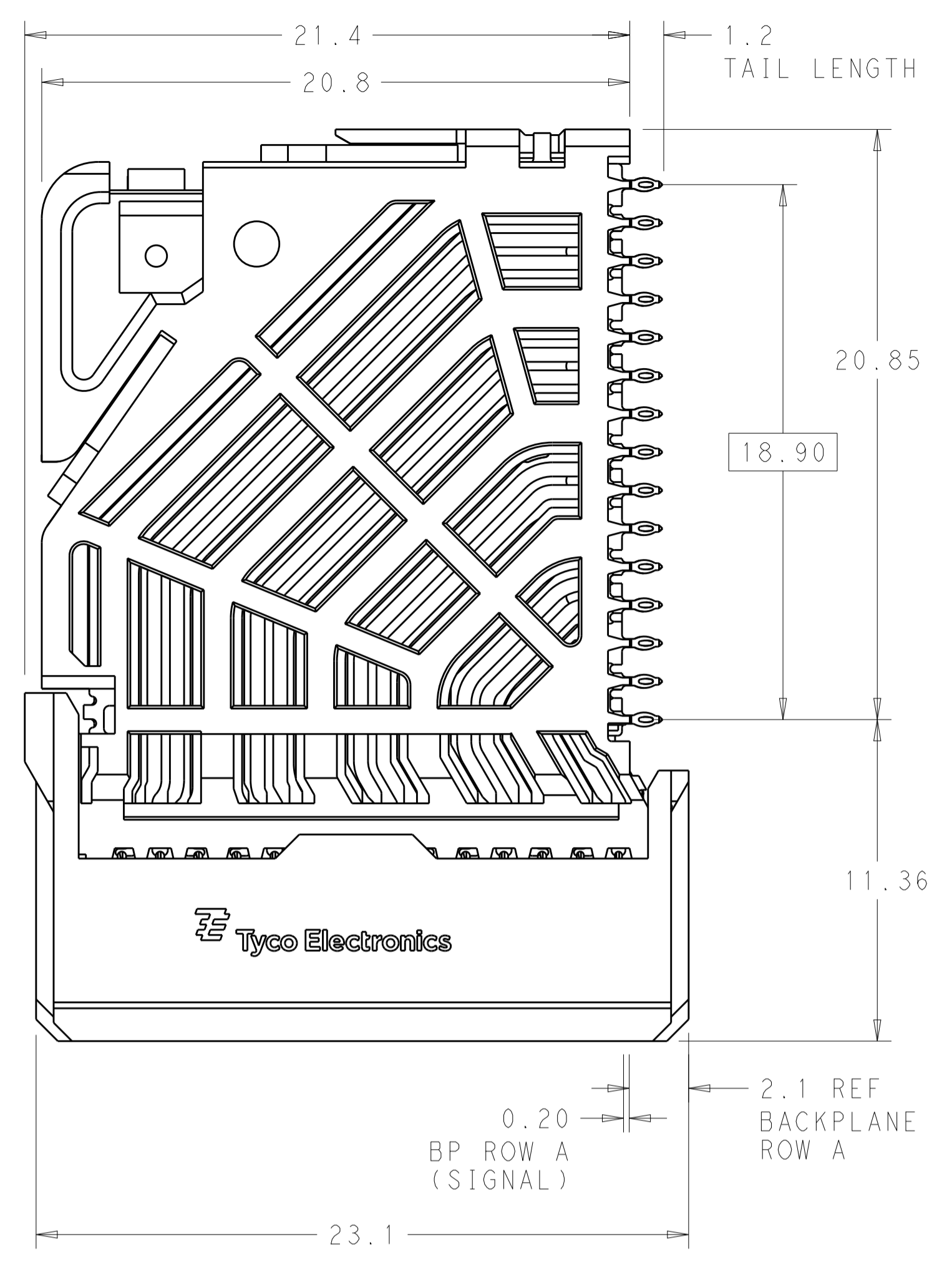
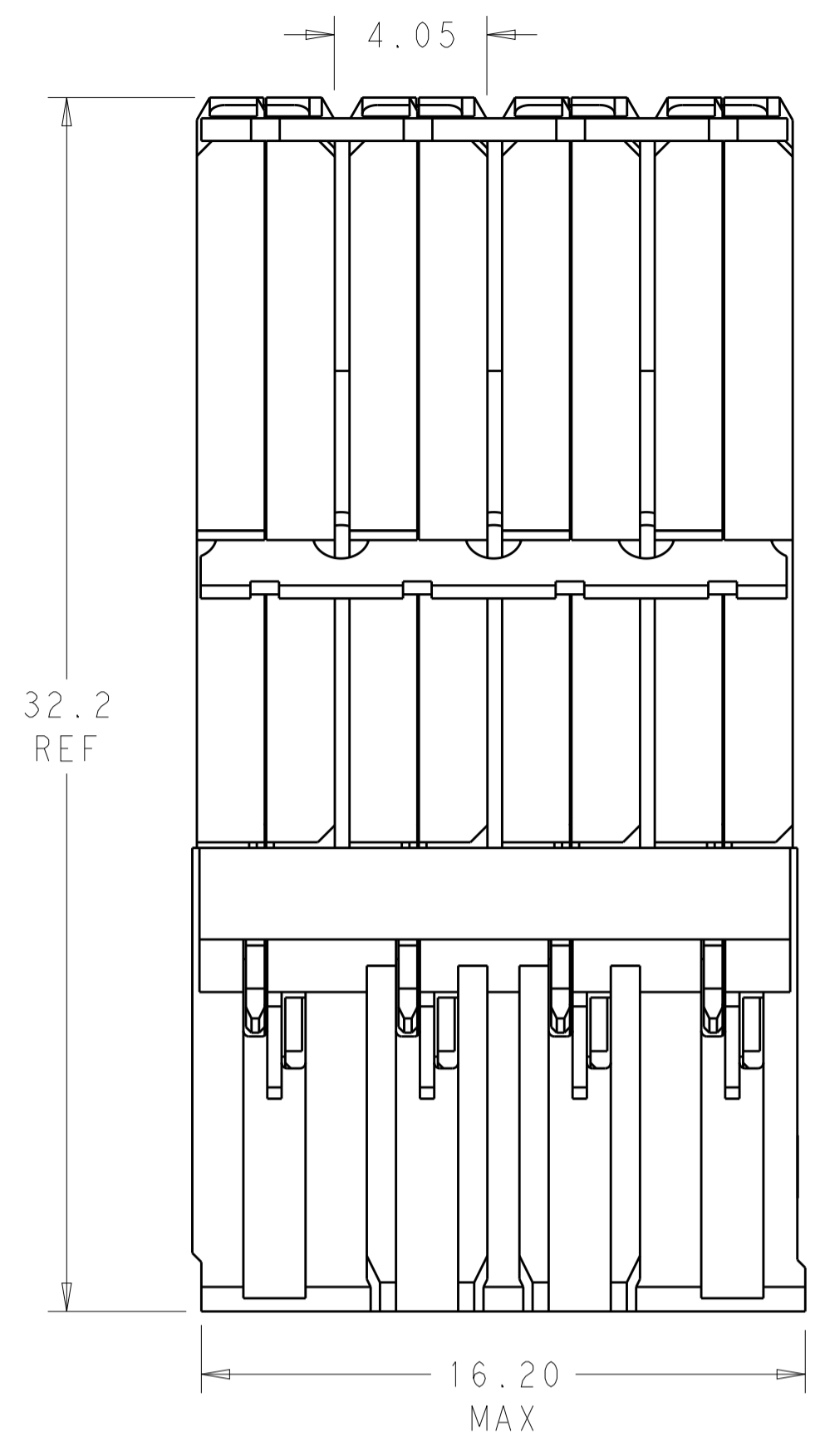
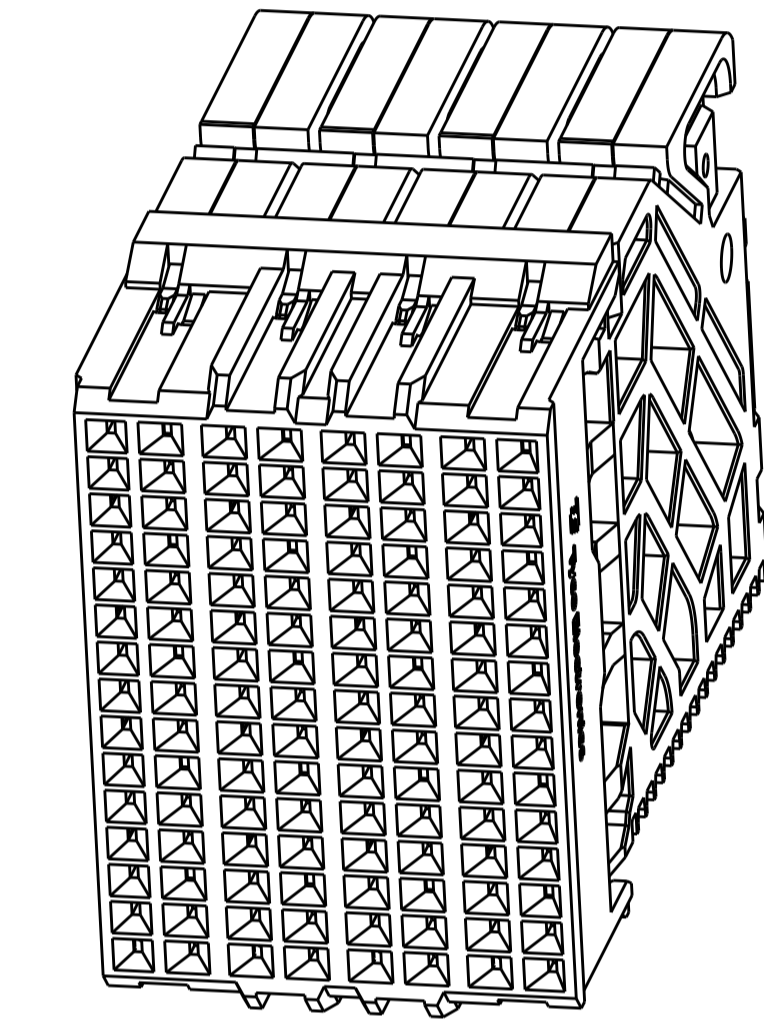


LOC	DIST	REVISIONS			
P	LTN	DESCRIPTION	DATE	DWN	APVD
AD	00	D	REVISED PER ECO-15-004915	10APR2015	AP DD



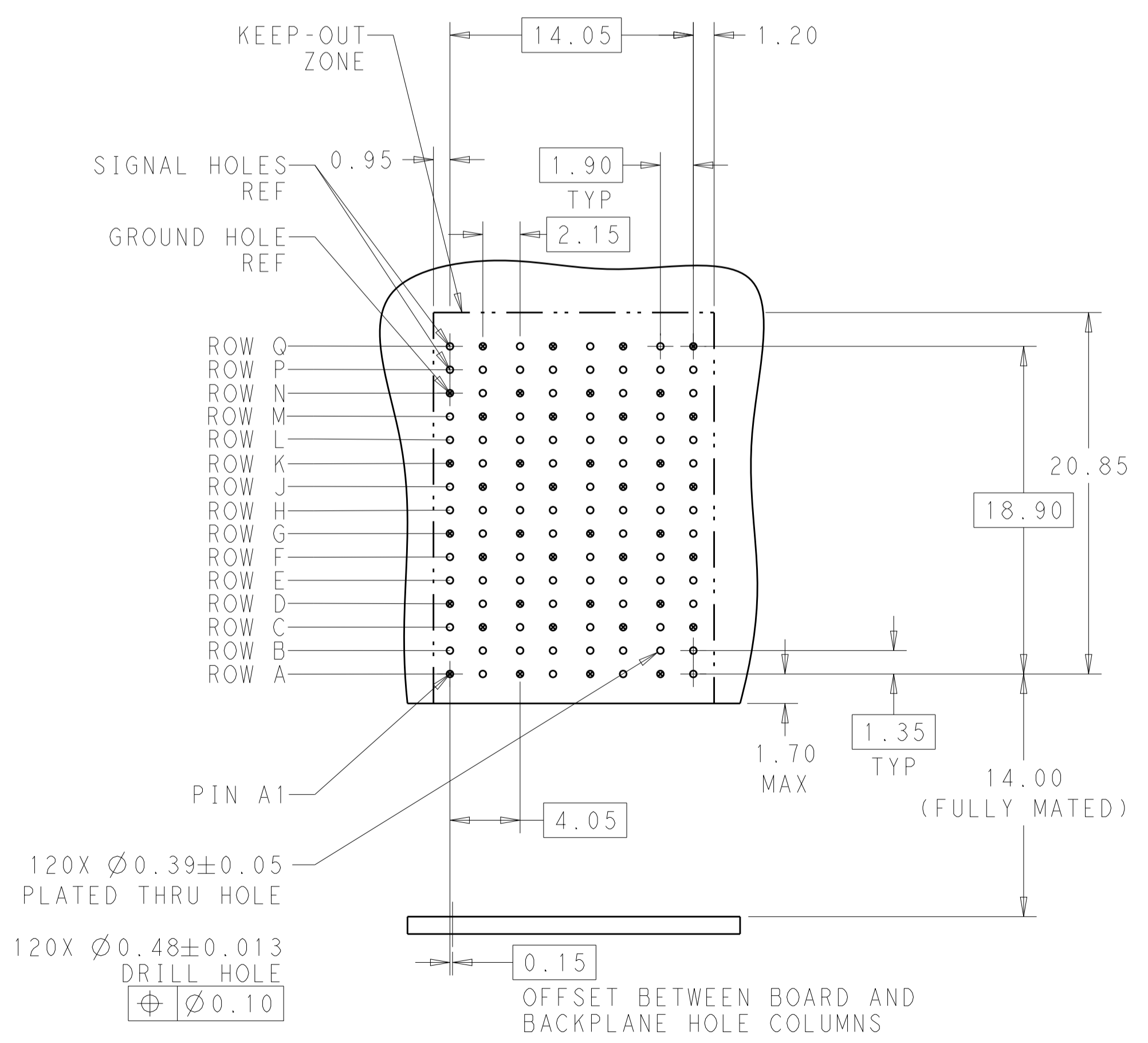
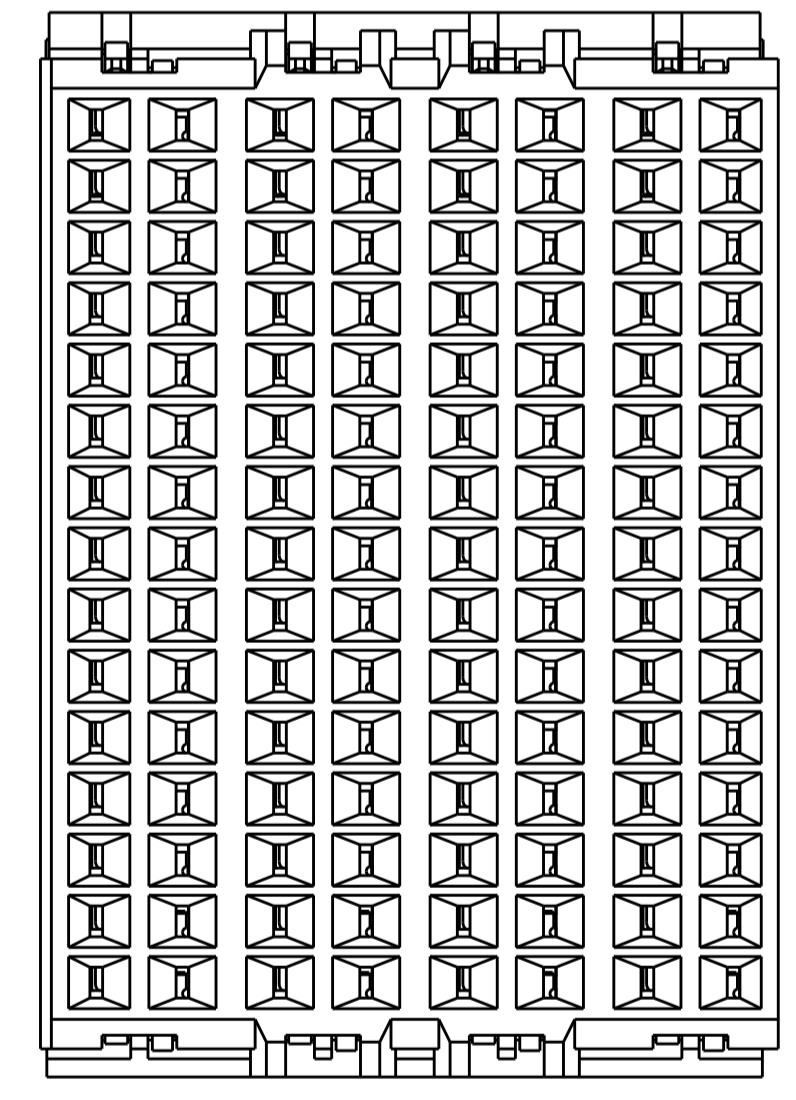
⚠ MATERIAL:
HOUSING: LCP, GLASS FILLED, UL94V-0.
TERMINALS: HIGH PERFORMANCE COPPER ALLOY.

⚠ FINISH:
30µ" SELECTIVE GOLD IN CONTACT AREA. SELECTIVE TIN ON PCB TAILS, NICKEL OVERALL.



SCALE 4:1

REFER TO WWW.TE.COM FOR PRODUCT AVAILABILITY



120X $\varnothing 0.39 \pm 0.05$ PLATED THRU HOLE

120X $\varnothing 0.48 \pm 0.013$ DRILL HOLE

$\varnothing 0.10$

OFFSET BETWEEN BOARD AND BACKPLANE HOLE COLUMNS

RECOMMENDED PCB LAYOUT
MIN BOARD THICKNESS 1.0

NONE	⚠	2132692-1
KEY POSITION	FINISH	PART NUMBER

THIS DRAWING IS A CONTROLLED DOCUMENT.		DWN B. CARBO 08MAR2011	TE Connectivity
DIMENSIONS: mm		CHK D. DIXON 08MAR2011	
TOLERANCES UNLESS OTHERWISE SPECIFIED:		APVD D. DIXON 08MAR2011	
0 PLC ± 1 PLC ±0.25 2 PLC ±0.15 3 PLC ± 4 PLC ± ANGLES ±		NAME	
MATERIAL		PRODUCT SPEC	IMPACT, ORTHOGONAL, 5 PAIR, DAUGHTERCARD, 8 COLUMN, NO GUIDE, SIGNAL MODULE, 0.39 EYELET
FINISH SEE TABLE		APPLICATION SPEC	SIZE CAGE CODE DRAWING NO
MATERIAL		WEIGHT	A100779C=2132692
CUSTOMER DRAWING		SCALE 6:1	SHEET 1 OF 1 REV D