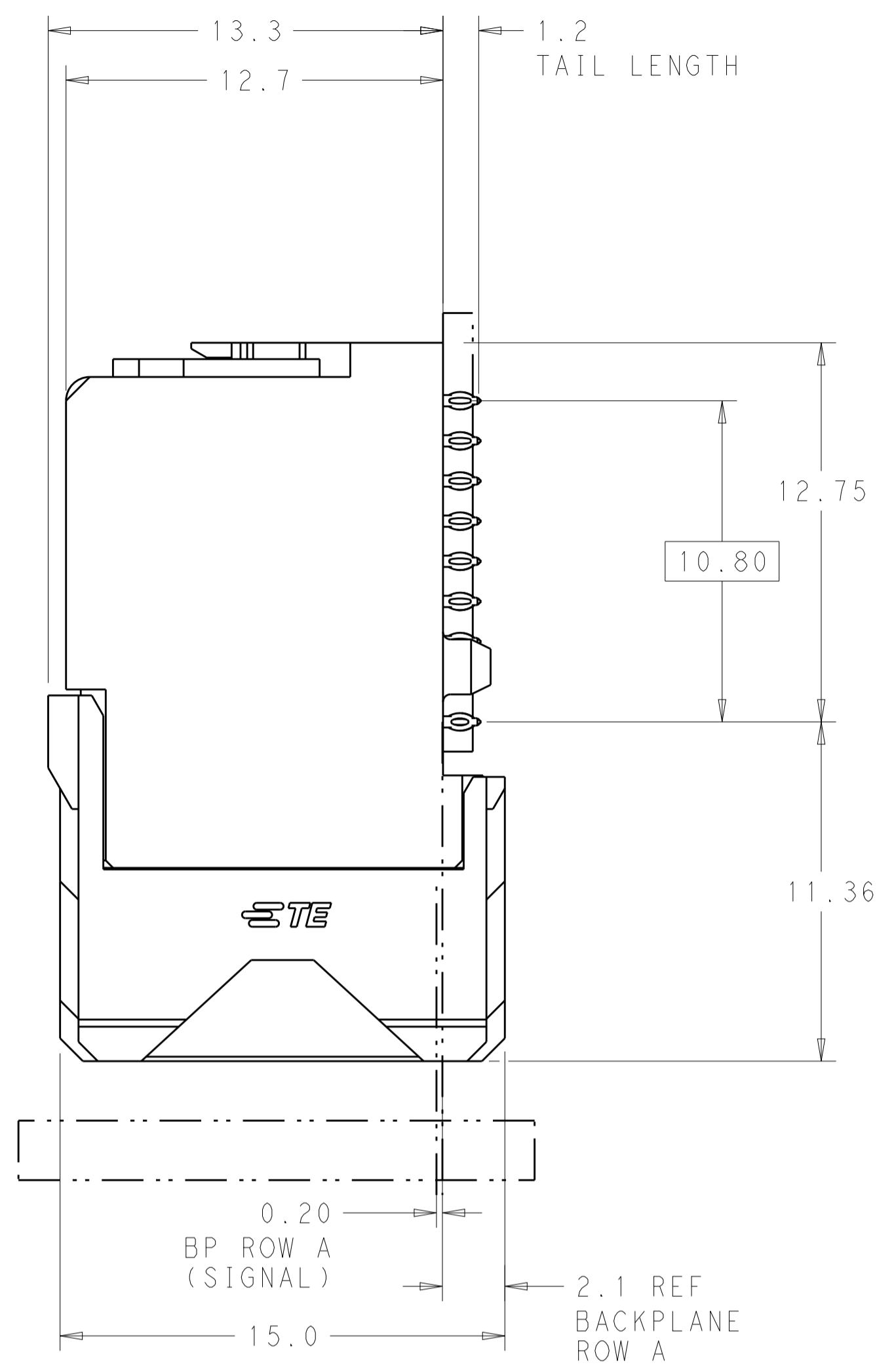
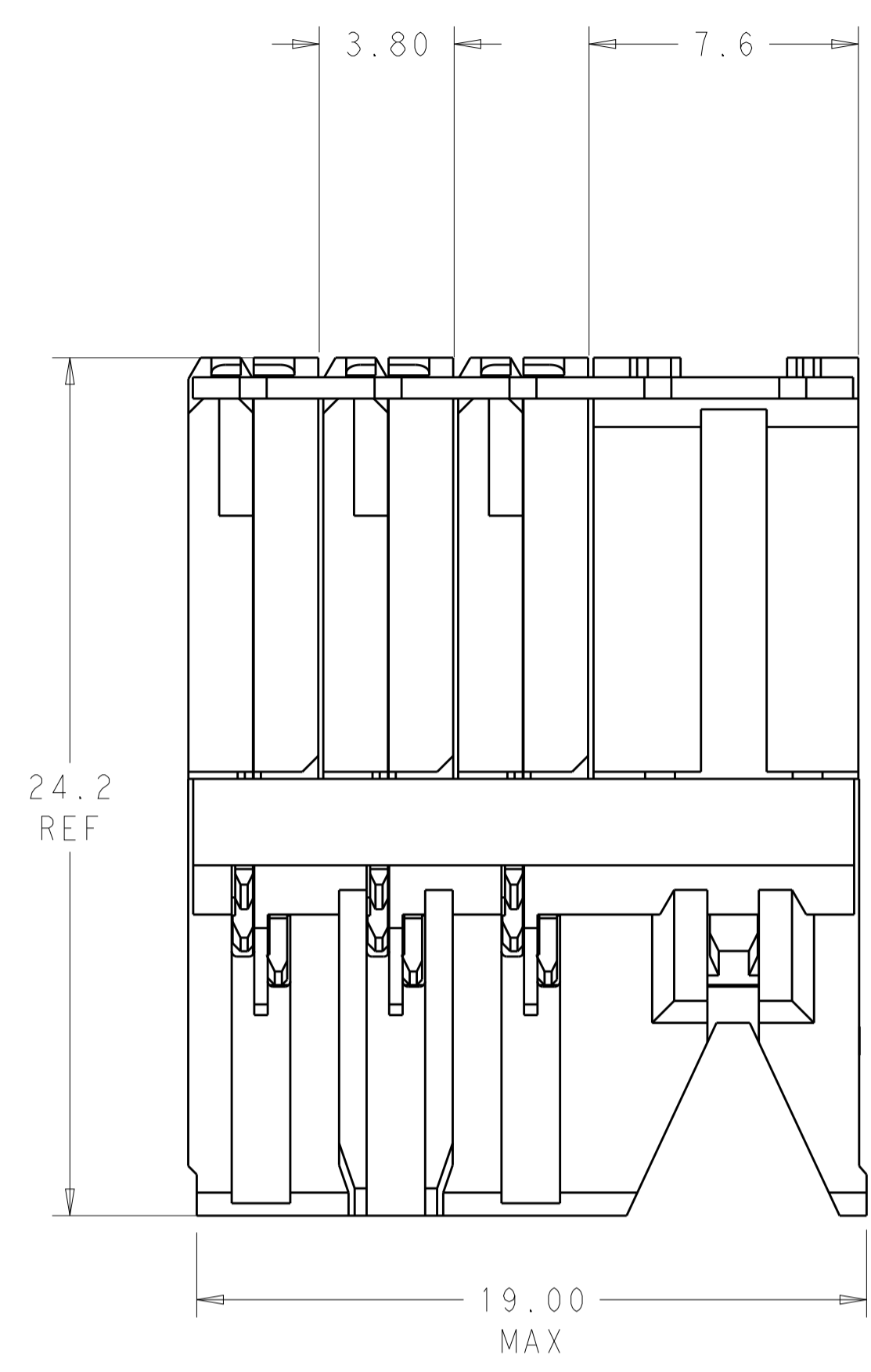
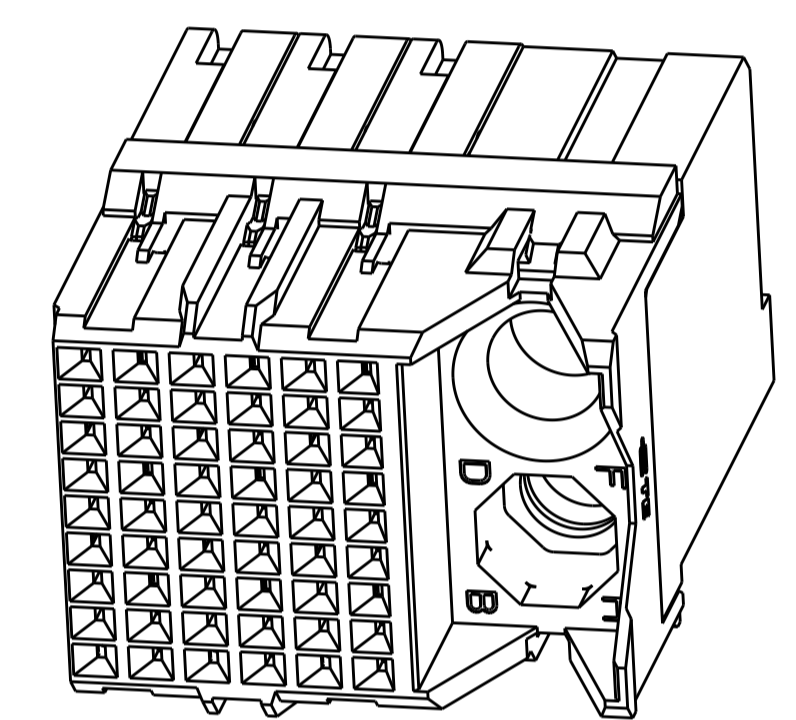


LOC		DIST		REVISIONS			
				DESCRIPTION	DATE	OWN	APVD
	A1			REVISED PER ECO-14-018035	11MAR2015	AP	DD

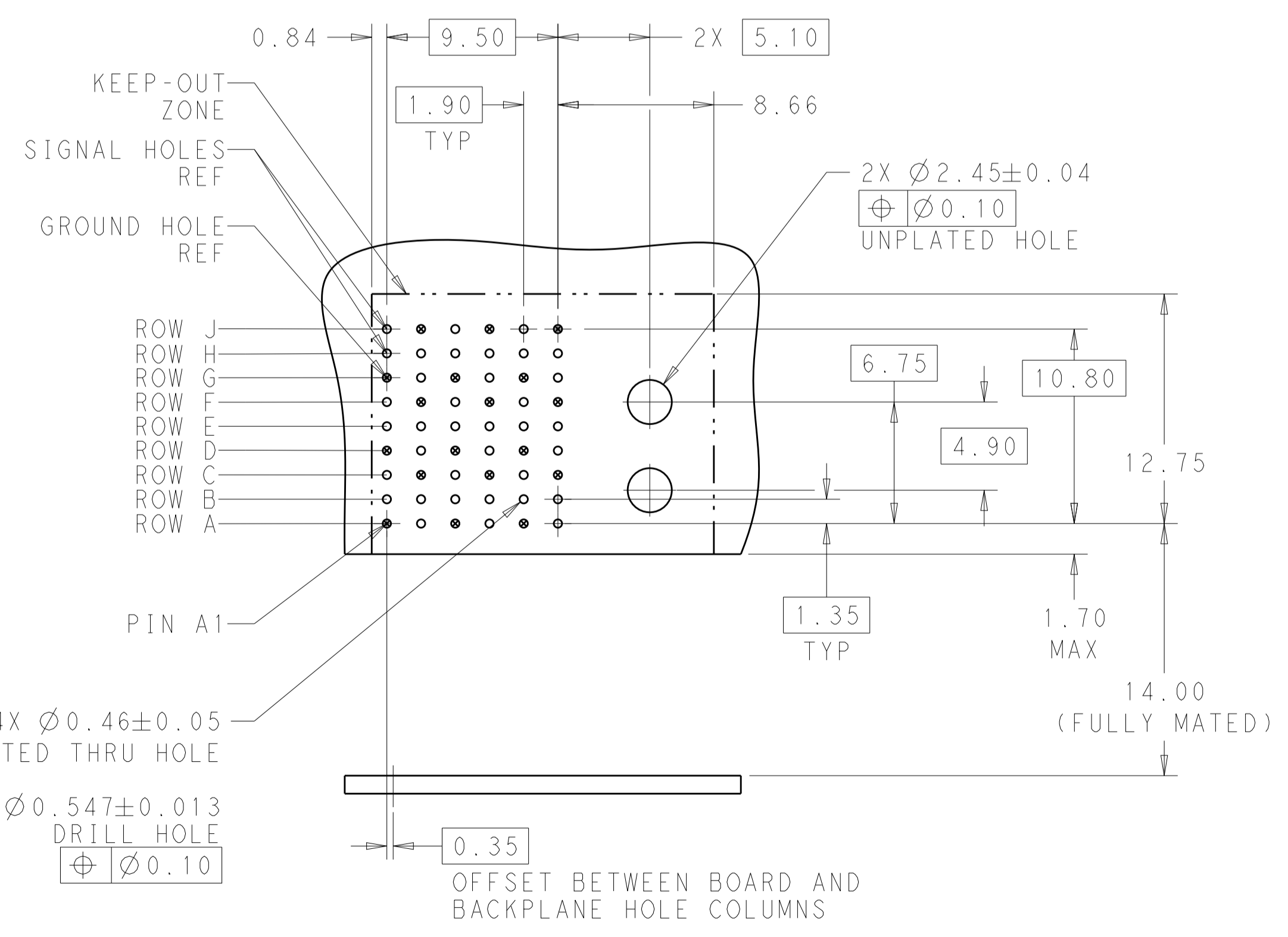
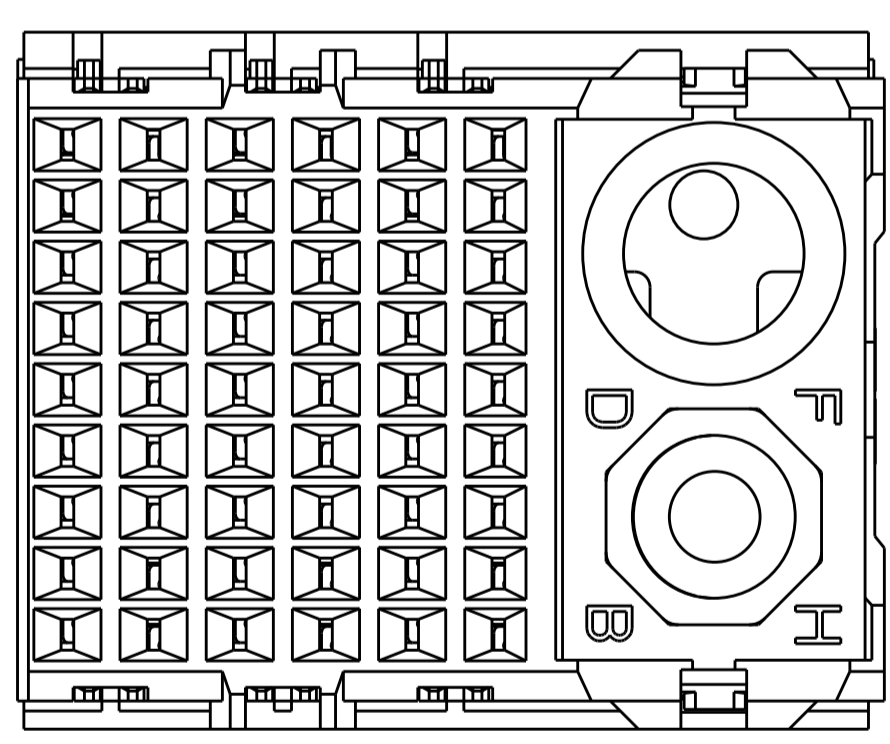


- ⚠ MATERIAL:  
 HOUSING: LCP, GLASS FILLED, UL94V-0.  
 TERMINALS: HIGH PERFORMANCE COPPER ALLOY.
- ⚠ FINISH:  
 30μ" SELECTIVE GOLD IN CONTACT AREA. SELECTIVE TIN ON PCB TAILS, NICKEL OVERALL.
- 3. CONNECTORS SUPPLIED WITH MOUNTING SCREWS.



SCALE 4:1

REFER TO WWW.TE.COM FOR PRODUCT AVAILABILITY



KEY POSITION CHART	
	NONE

KEY POSITION	FINISH	PART NUMBER
H	⚠	8-2132658-1
G	⚠	7-2132658-1
F	⚠	6-2132658-1
E	⚠	5-2132658-1
D	⚠	4-2132658-1
C	⚠	3-2132658-1
B	⚠	2-2132658-1
A	⚠	1-2132658-1
NONE	⚠	2132658-1

THIS DRAWING IS A CONTROLLED DOCUMENT. DWG: RIRAN\_HOL\_08NOV2012  
 CHK: D. DIXON\_08NOV2012  
 APVD: D. DIXON\_08NOV2012

TE Connectivity

NAME: IMPACT, 3 PAIR, DAUGHTERCARD  
 PRODUCT SPEC: 6 COLUMN, RIGHT GUIDED, SIGNAL  
 APPLICATION SPEC: MODULE, 0.46 EYELET

SIZE: A1 CAGE CODE: 2132658 DRAWING NO: 100779  
 WEIGHT: - RESTRICTED TO: -

Customer Drawing SCALE: 6:1 SHEET: 1 OF 1 REV: A1

RECOMMENDED PCB LAYOUT  
 MIN BOARD THICKNESS 1.0