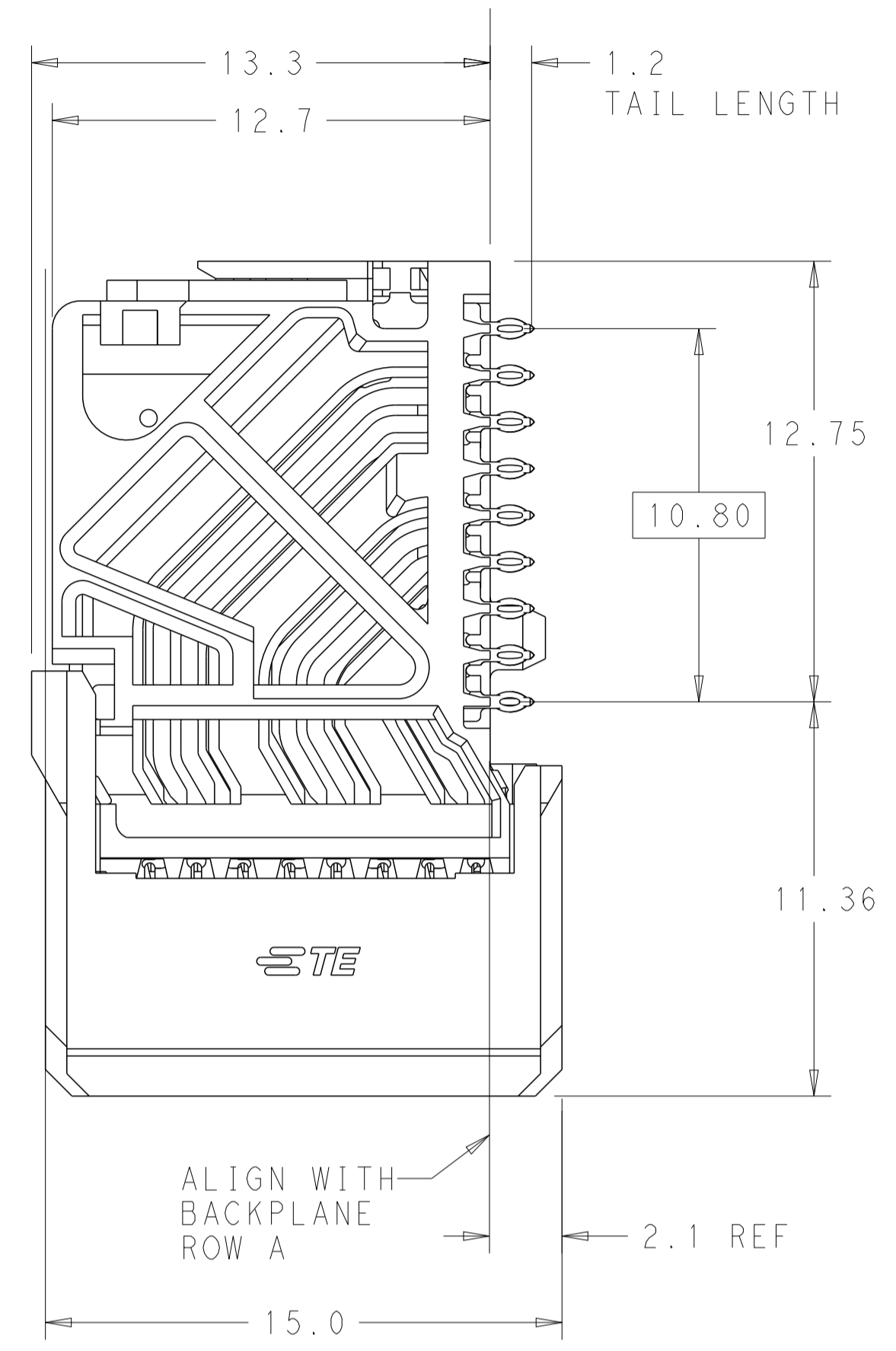
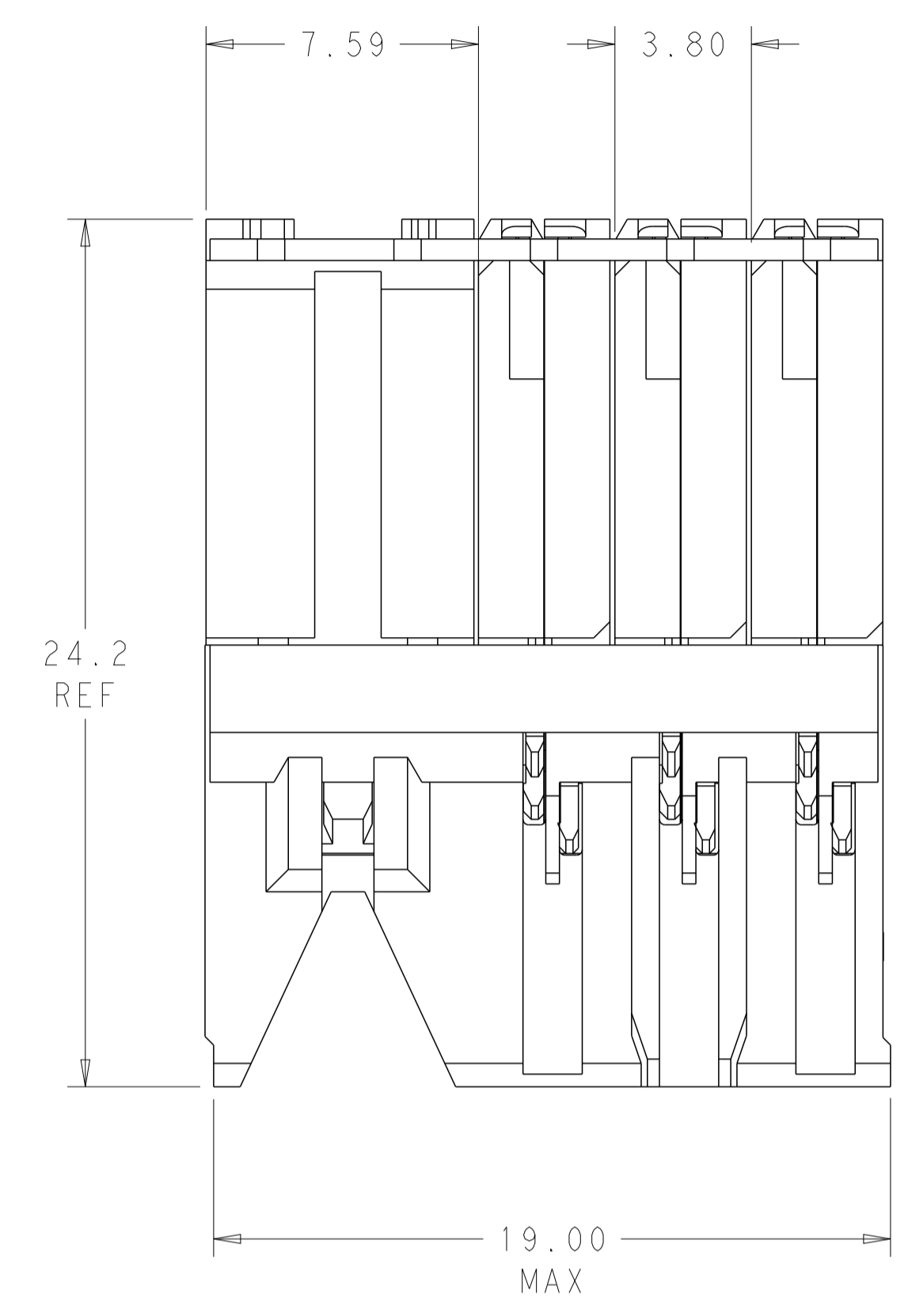
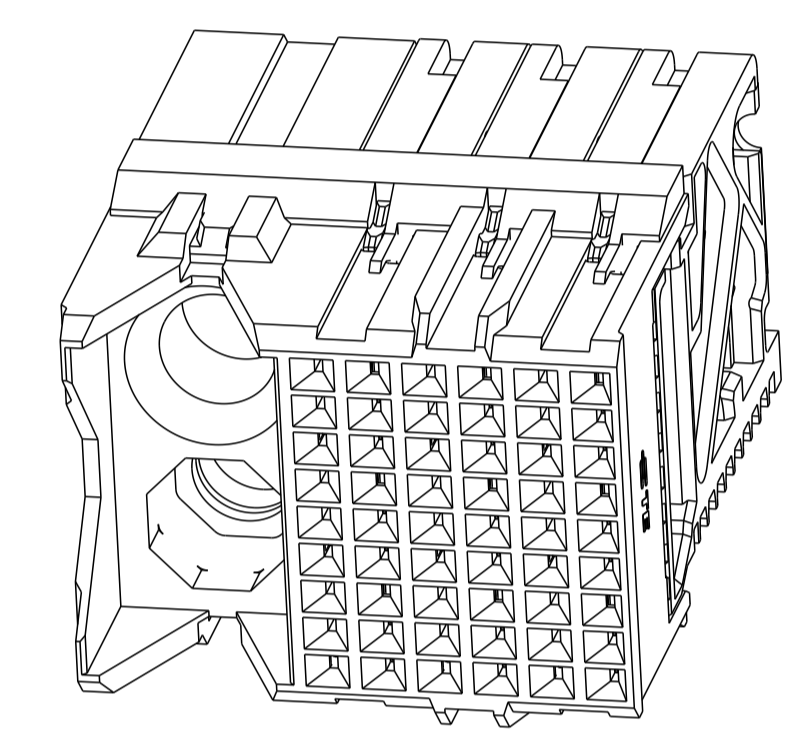


LOC		DIST		REVISIONS			
P	LTN	DATE	DMN	APVD			
1		DRAWING CREATED BY AUTOMATION PROGRAM	07NOV2012	AP	DD		

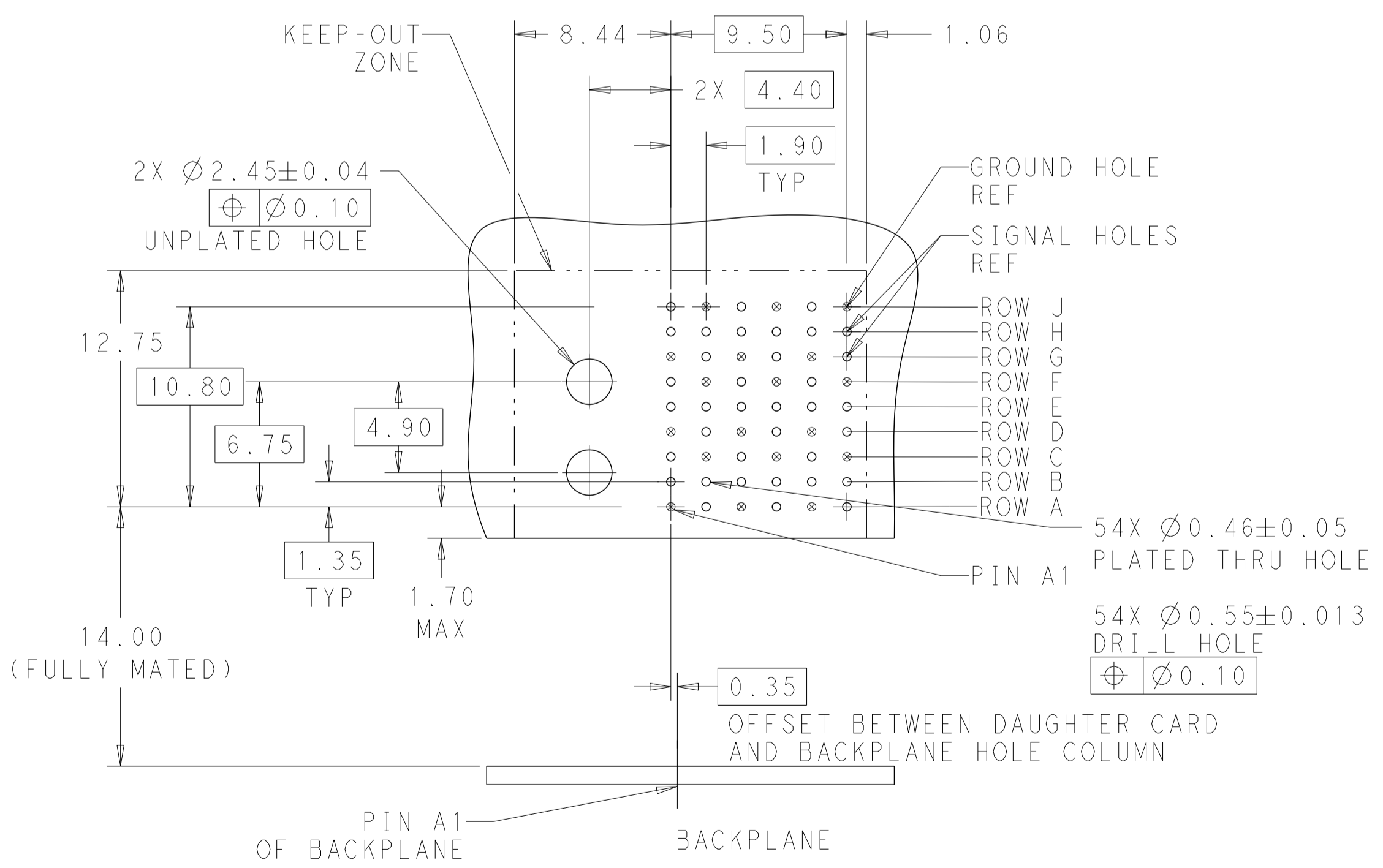
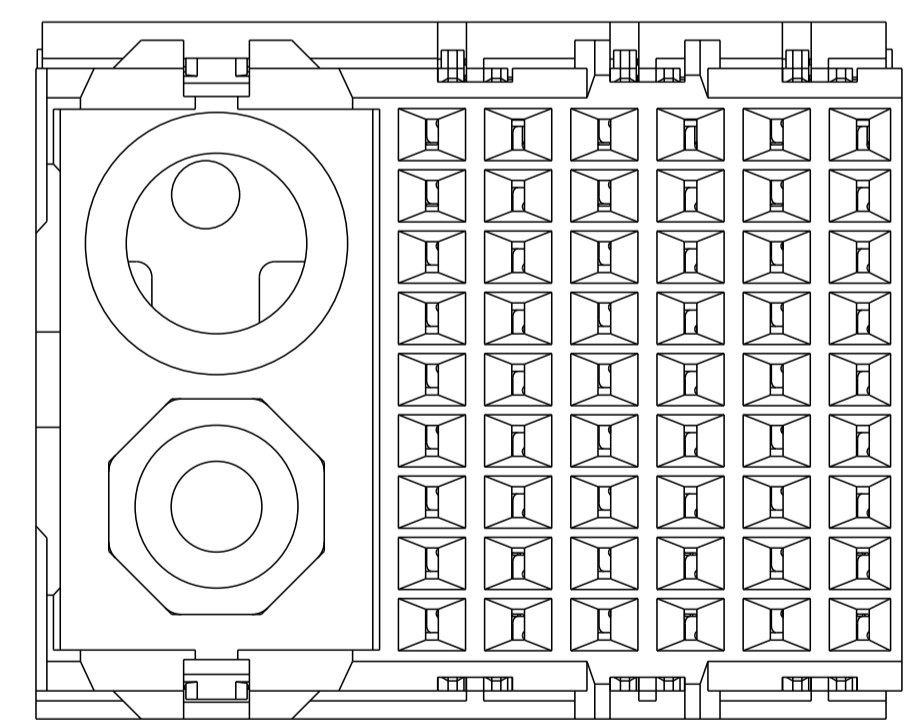


- ⚠ MATERIAL:
HOUSING: LCP, GLASS FILLED, UL94V-0.
TERMINALS: HIGH PERFORMANCE COPPER ALLOY.
- ⚠ FINISH:
30µ" SELECTIVE GOLD IN CONTACT AREA. SELECTIVE TIN ON PCB TAILS, NICKEL OVERALL.
- 3. CONNECTORS SUPPLIED WITH MOUNTING SCREWS



SCALE 4:1

REFER TO WWW.TE.COM FOR PRODUCT AVAILABILITY



KEY POSITION CHART	
	NONE
	A
	B
	C
	D
	E
	F
	G
	H

DESIGN APPROVED THIS PRINT IS
PRELIMINARY
 TO FIRST PIECE APPROVAL CONTACT PRODUCT ENGINEERING BEFORE USING THIS PRINT

KEY POSITION	FINISH	PART NUMBER
H	⚠	8-2132657-1
G	⚠	7-2132657-1
F	⚠	6-2132657-1
E	⚠	5-2132657-1
D	⚠	4-2132657-1
C	⚠	3-2132657-1
B	⚠	2-2132657-1
A	⚠	1-2132657-1
NONE	⚠	2132657-1

THIS DRAWING IS A CONTROLLED DOCUMENT.		DMN AJITH PAI 11JUL2015	TE Connectivity NAME: IMPACT, 3 PAIR, DAUGHTERCARD 6 COLUMN, LEFT GUIDED, SIGNAL MODULE, 0.46 EYELET SIZE: CAGE CODE DRAWING NO: A100779C=2132657 RESTRICTED TO: -
DIMENSIONS: mm		CHK D. DIXON 11JUL2015	
TOLERANCES UNLESS OTHERWISE SPECIFIED:		APVD D. DIXON 11JUL2015	
0 PLC ± 1 PLC ±0.2 2 PLC ±0.13 3 PLC ± 4 PLC ± ANGLES ± FINISH SEE TABLE		APPLICATION SPEC WEIGHT SCALE 6:1 SHEET 1 OF 1 REV 1	