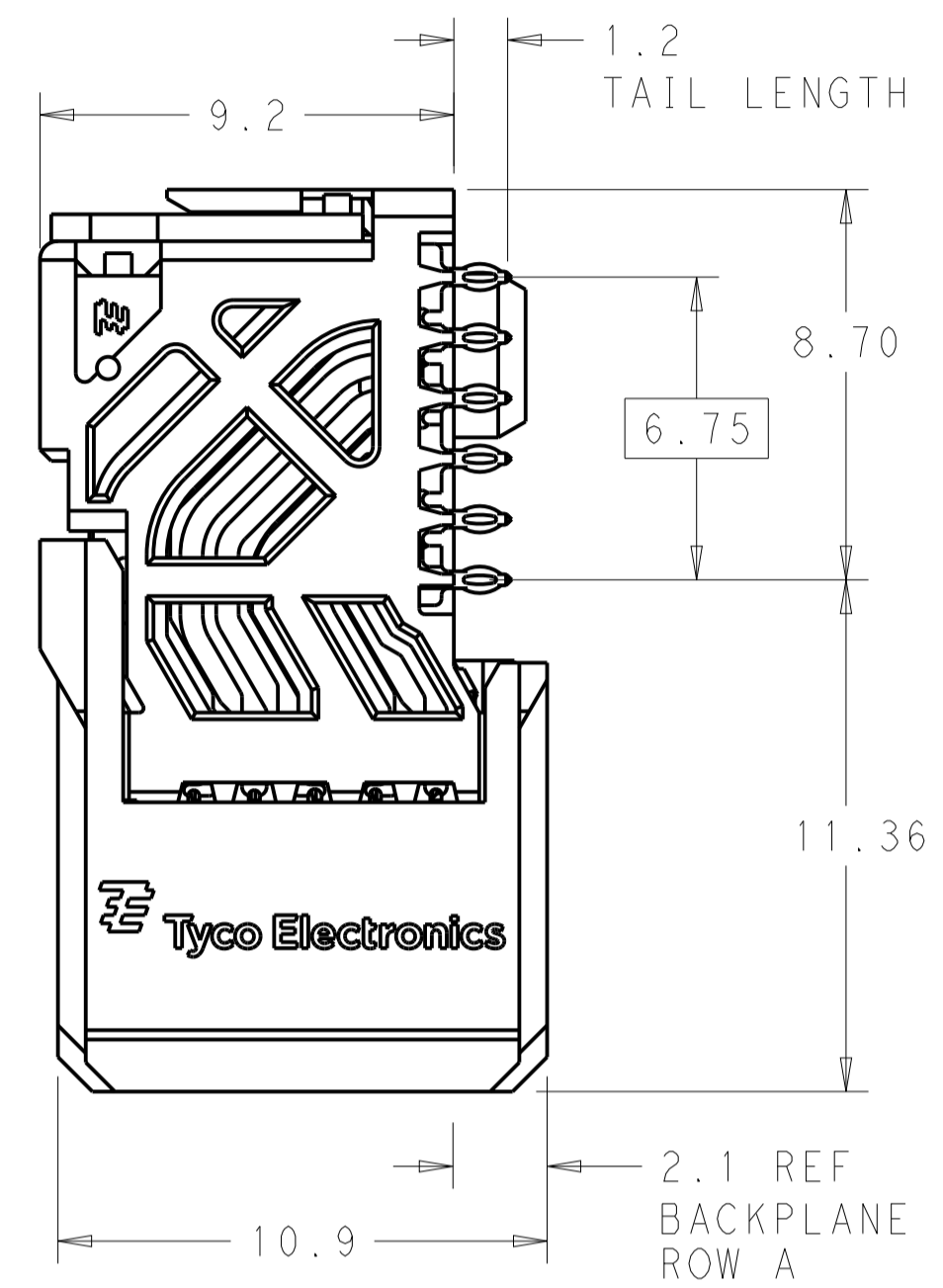
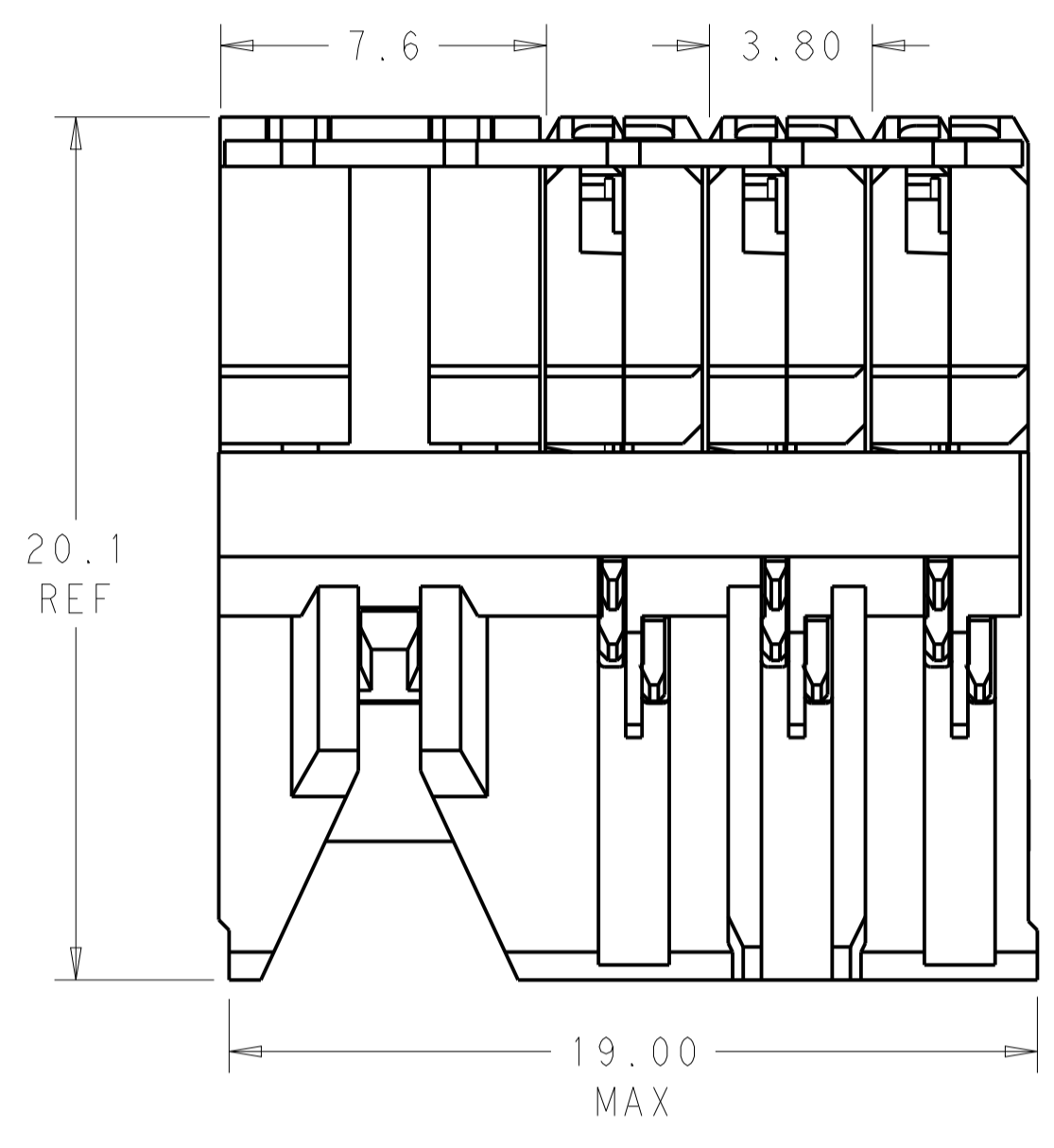
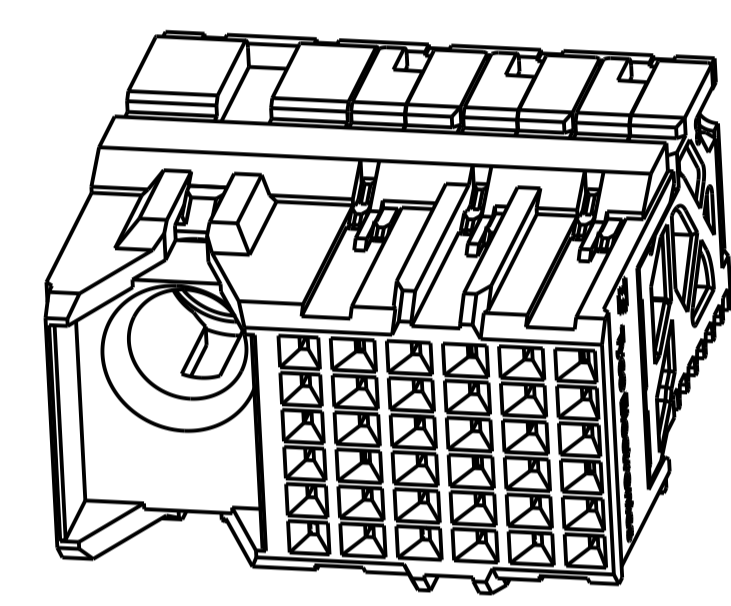


REVISIONS				
P.	LTN.	DESCRIPTION	DATE	APVD.
A		REVISED PER ECO-14-017984	09DEC2014	AP DD

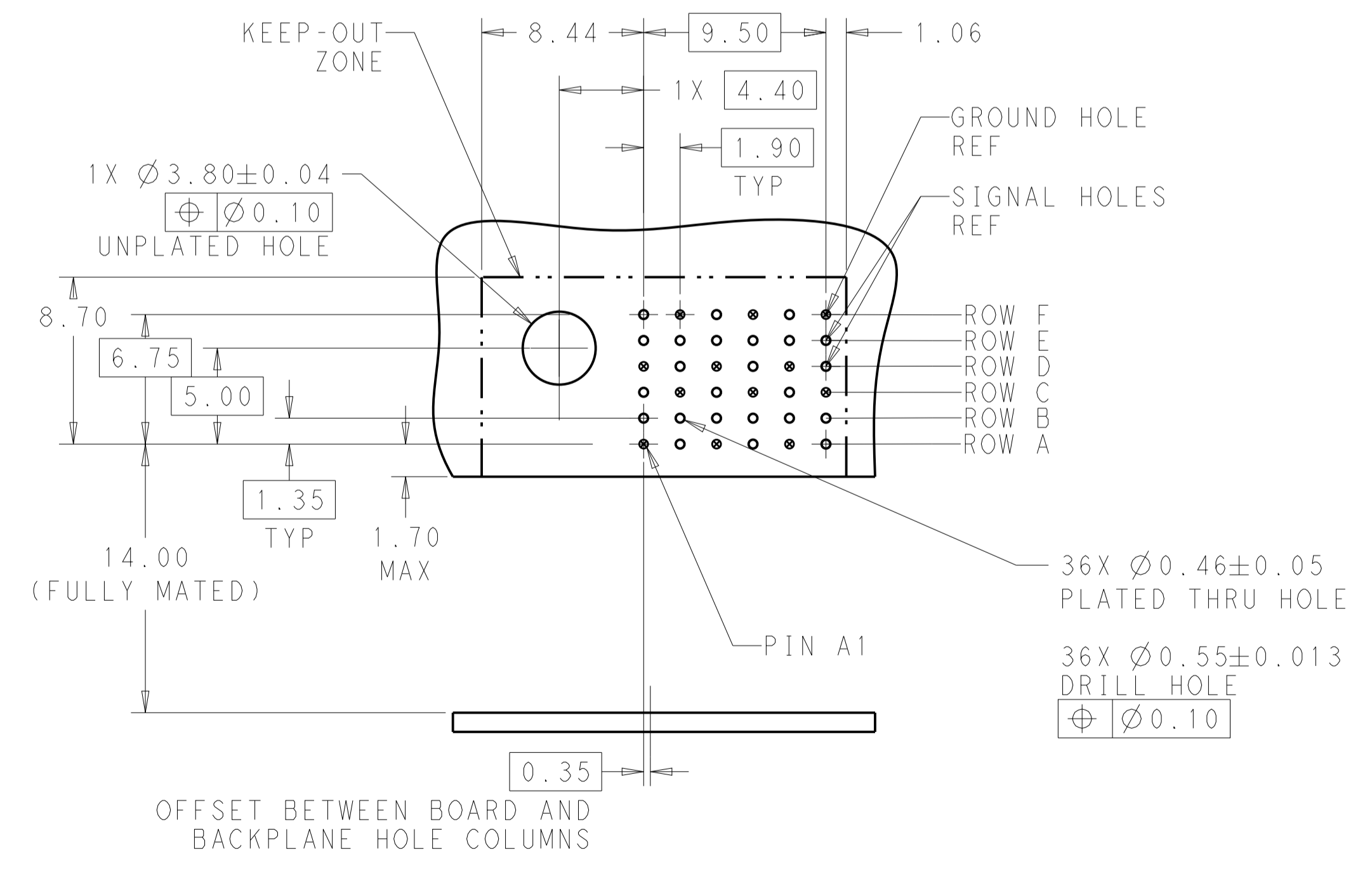
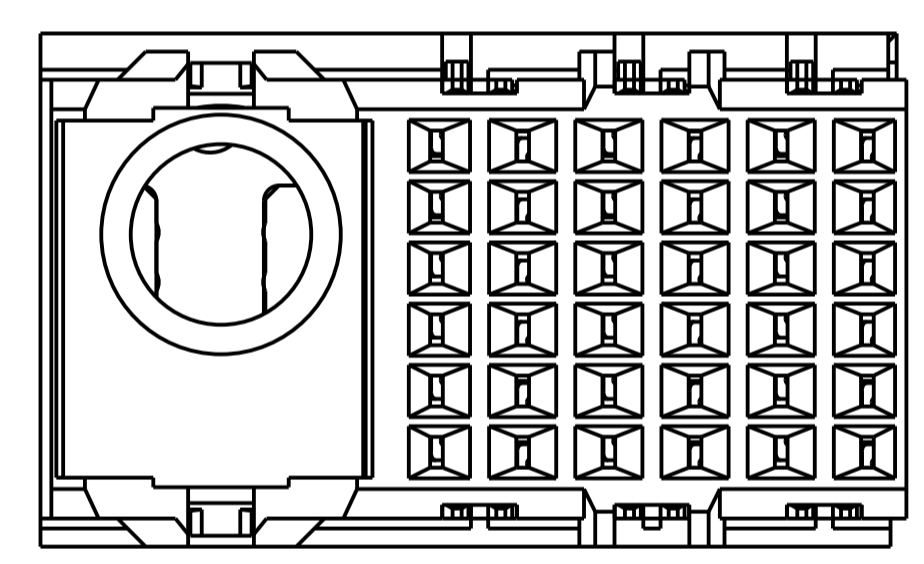


- ⚠ MATERIAL:
HOUSING: LCP, GLASS FILLED, UL94V-0.
TERMINALS: HIGH PERFORMANCE COPPER ALLOY.
- ⚠ FINISH:
30µ" SELECTIVE GOLD IN CONTACT AREA. SELECTIVE TIN ON PCB TAILS, NICKEL OVERALL.
- 3. CONNECTORS SUPPLIED WITH MOUNTING SCREWS



SCALE 4:1

REFER TO WWW.TE.COM FOR PRODUCT AVAILABILITY



RECOMMENDED PCB LAYOUT
MIN BOARD THICKNESS 1.6

NONE	⚠	2132651-1
KEY POSITION	FINISH	PART NUMBER

THIS DRAWING IS A CONTROLLED DOCUMENT.		OWN: Z. MILLER 28SEP2010	TE Connectivity	
DIMENSIONS: mm		CHK: D. DIXON 28SEP2010		
TOLERANCES UNLESS OTHERWISE SPECIFIED:		APVD: D. DIXON 28SEP2010		
0 PLC	±	NAME	IMPACT, 2 PAIR, DAUGHTERCARD	
1 PLC	±0.2	PRODUCT SPEC	6 COLUMN, LEFT GUIDED, SIGNAL	
2 PLC	±0.13	APPLICATION SPEC	MODULE, 0.46 EYELET	
3 PLC	±	SIZE	A1	RESTRICTED TO
4 PLC	±	CAGE CODE	100779	
ANGLES	±	DRAWING NO	C=2132651	
MATERIAL	SEE TABLE	WEIGHT		
FINISH	SEE TABLE	Customer Drawing	SCALE 6:1	SHEET 1 OF 1 REV A