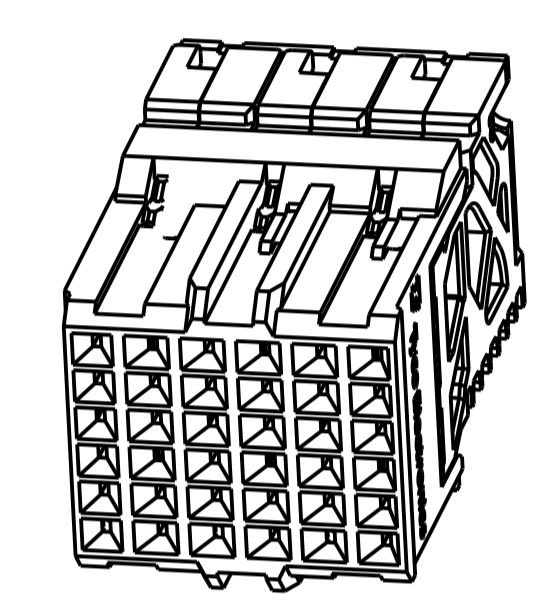
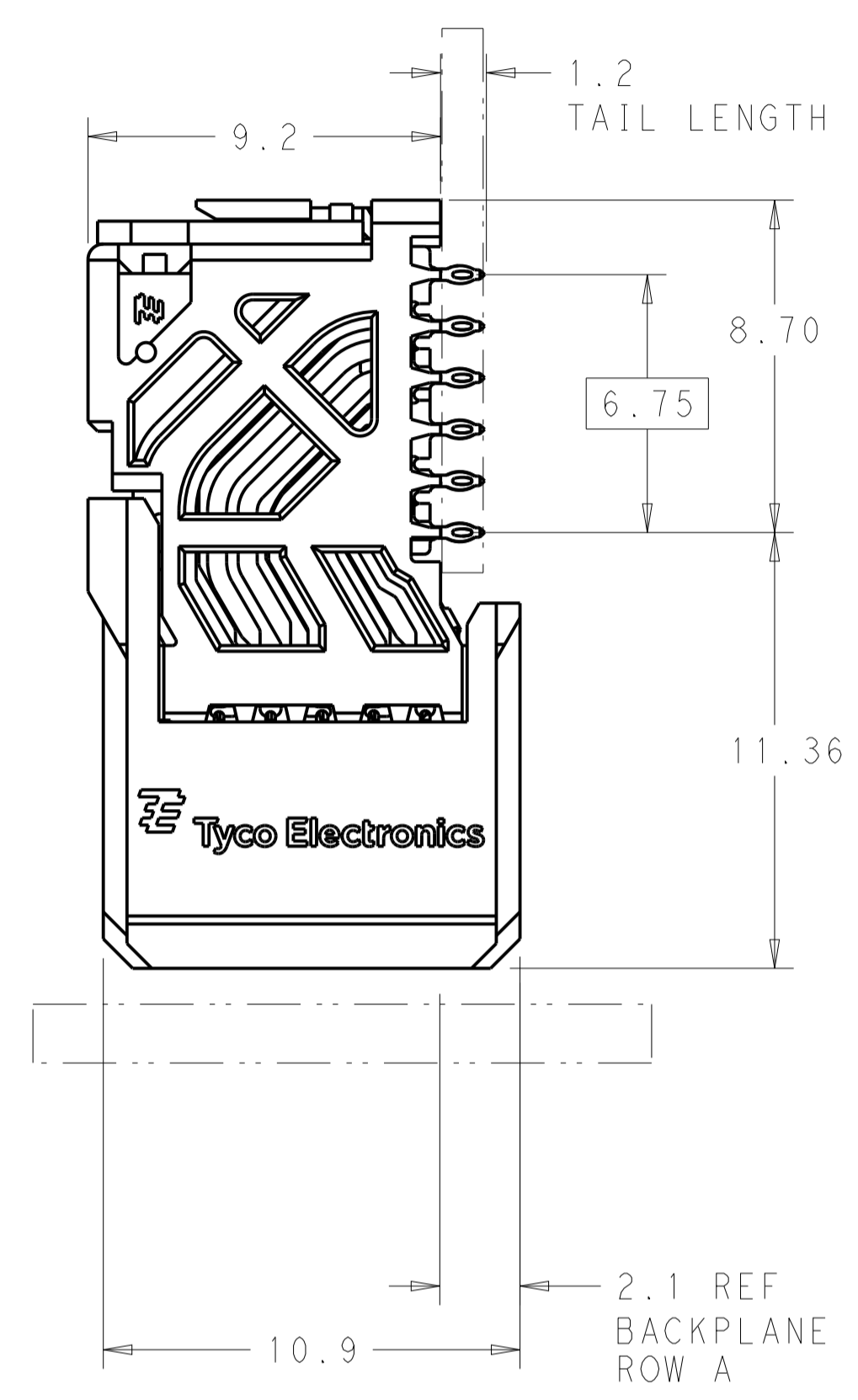
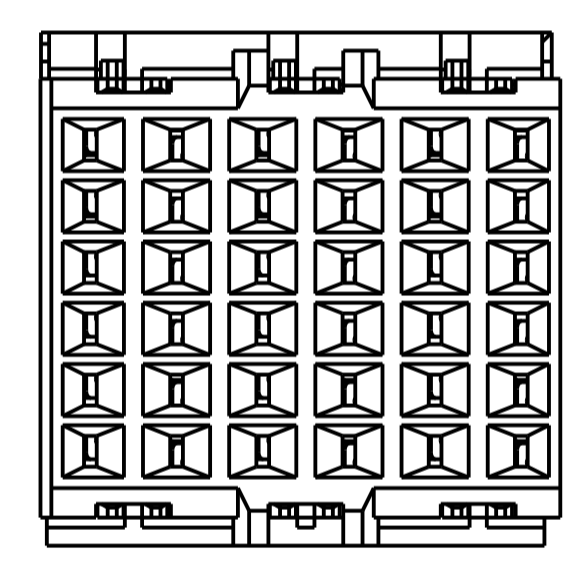
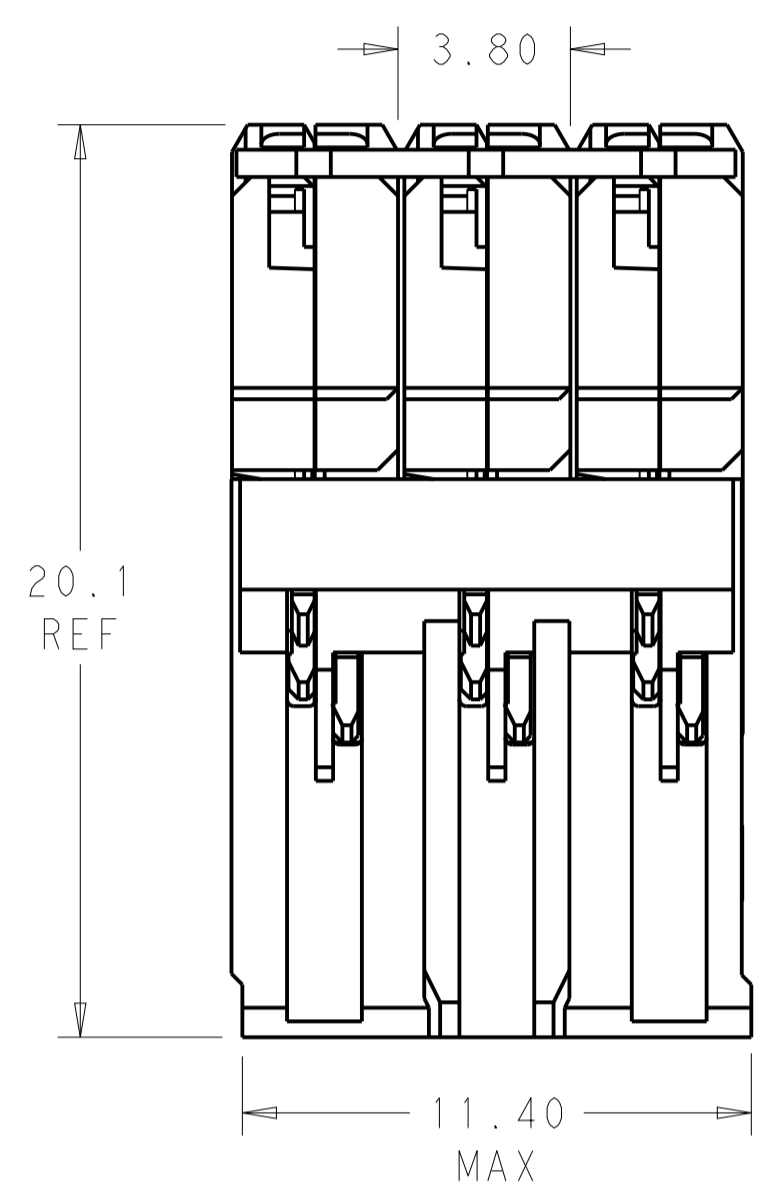
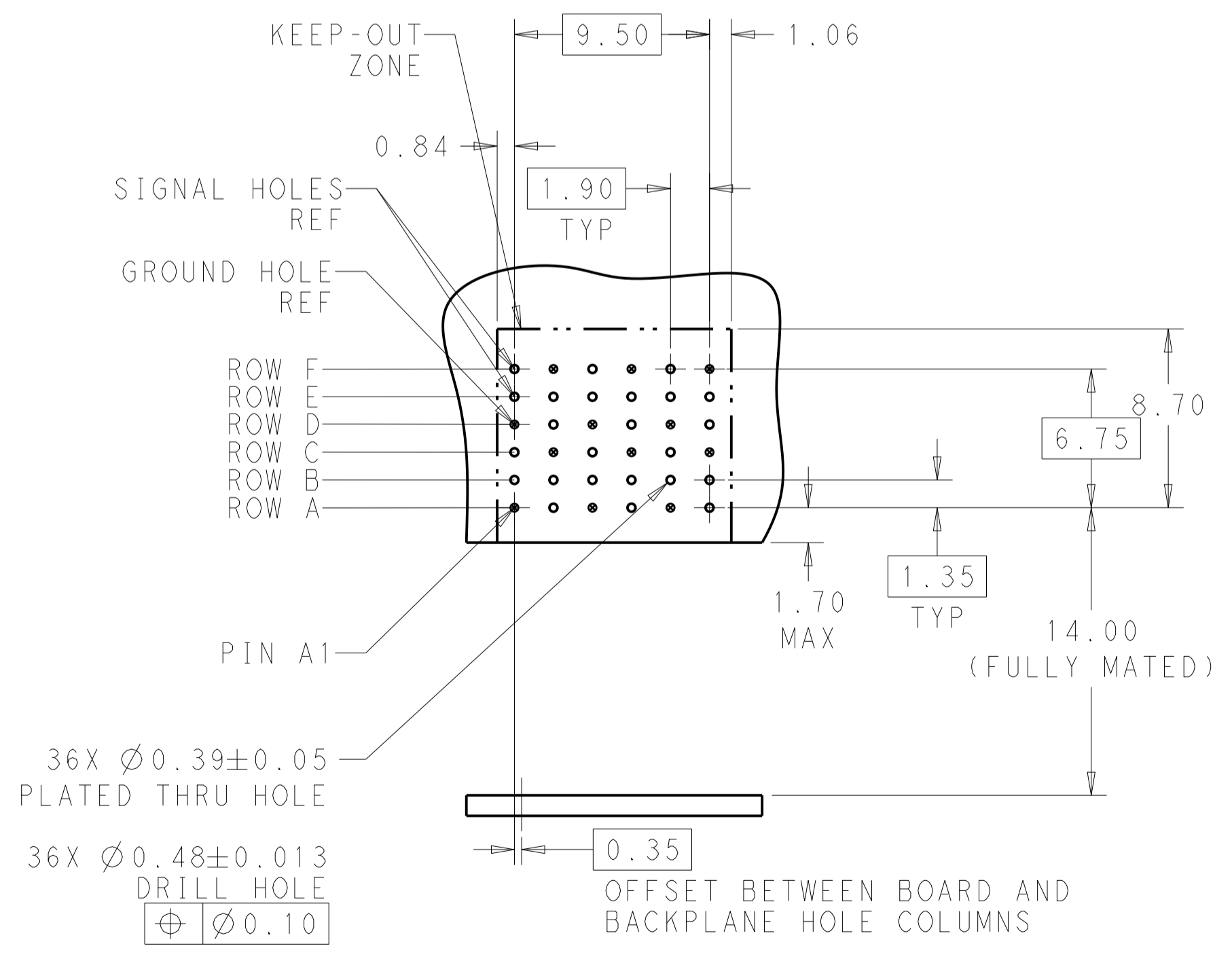


REVISIONS				
P.	LTN.	DESCRIPTION	DATE	APVD.
A		REVISED PER ECO-14-017984	04DEC2014	AP DD



SCALE 4:1

REFER TO WWW.TE.COM FOR PRODUCT AVAILABILITY



36X $\varnothing 0.39 \pm 0.05$ PLATED THRU HOLE
 36X $\varnothing 0.48 \pm 0.013$ DRILL HOLE
 $\varnothing 0.10$

RECOMMENDED PCB LAYOUT
 MIN BOARD THICKNESS 1.6

⚠ MATERIAL:
 HOUSING: LCP, GLASS FILLED, UL94V-0.
 TERMINALS: HIGH PERFORMANCE COPPER ALLOY.
 ⚠ FINISH:
 30μ" SELECTIVE GOLD IN CONTACT AREA. SELECTIVE TIN ON PCB TAILS, NICKEL OVERALL.

NONE	⚠	2132650-1
KEY POSITION	FINISH	PART NUMBER

THIS DRAWING IS A CONTROLLED DOCUMENT.		OWN: Z. MILLER 23SEP2010	TE Connectivity	
DIMENSIONS: mm		CHK: D. DIXON 23SEP2010	NAME: IMPACT, 2 PAIR, DAUGHTERCARD 6 COLUMN, UNGUIDED, SIGNAL MODULE, 0.39 EYELET	
TOLERANCES UNLESS OTHERWISE SPECIFIED:		APVD: D. DIXON 23SEP2010		
0 PLC ±		PRODUCT SPEC	SIZE: CAGE CODE DRAWING NO. RESTRICTED TO	
1 PLC ±0.2		APPLICATION SPEC	A100779C=2132650	
2 PLC ±0.10		WEIGHT	SCALE 6:1 SHEET 1 OF 1 REV A	
3 PLC ±		Customer Drawing		
4 PLC ±				
ANGLES				
FINISH: SEE TABLE				