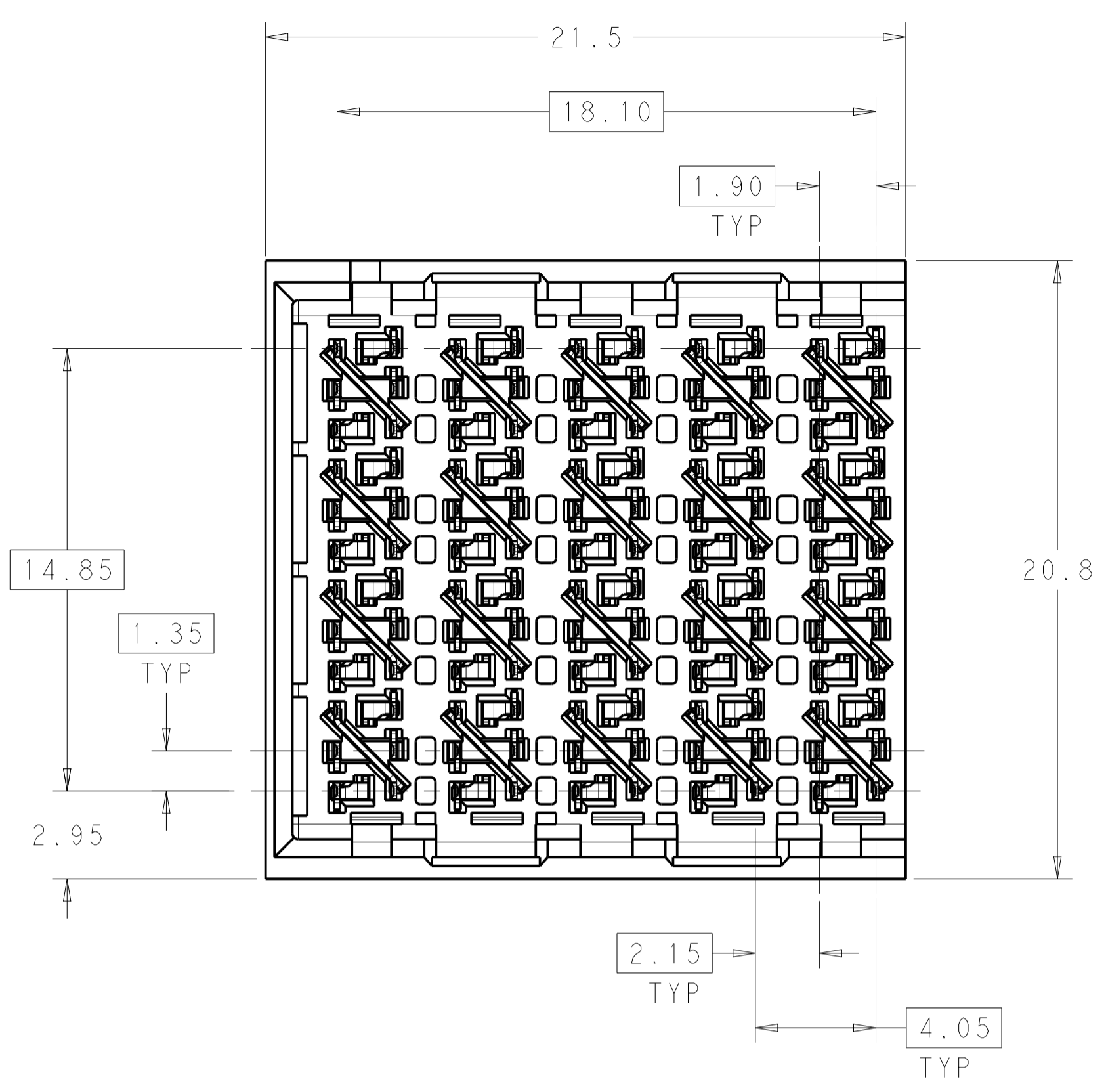
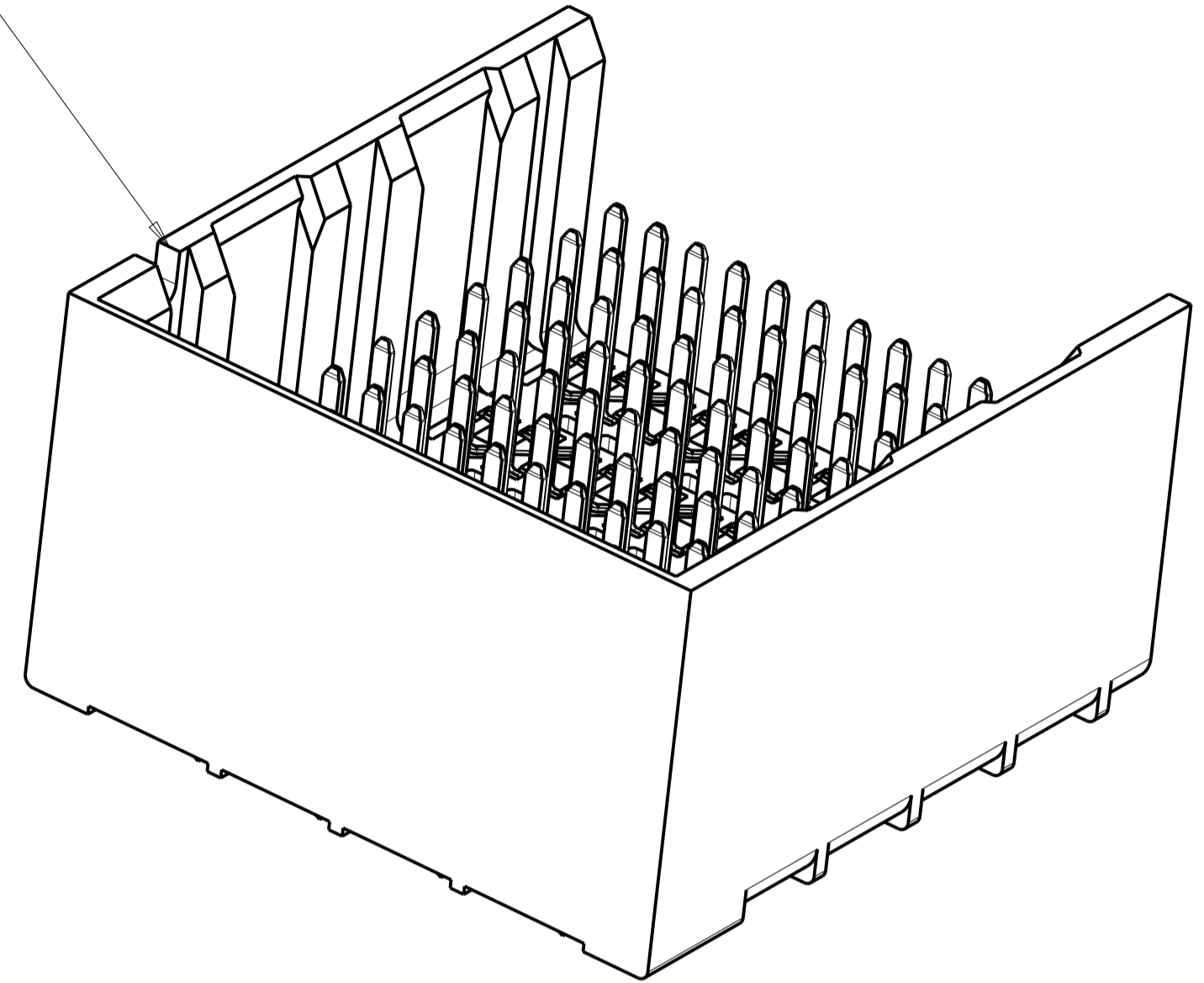


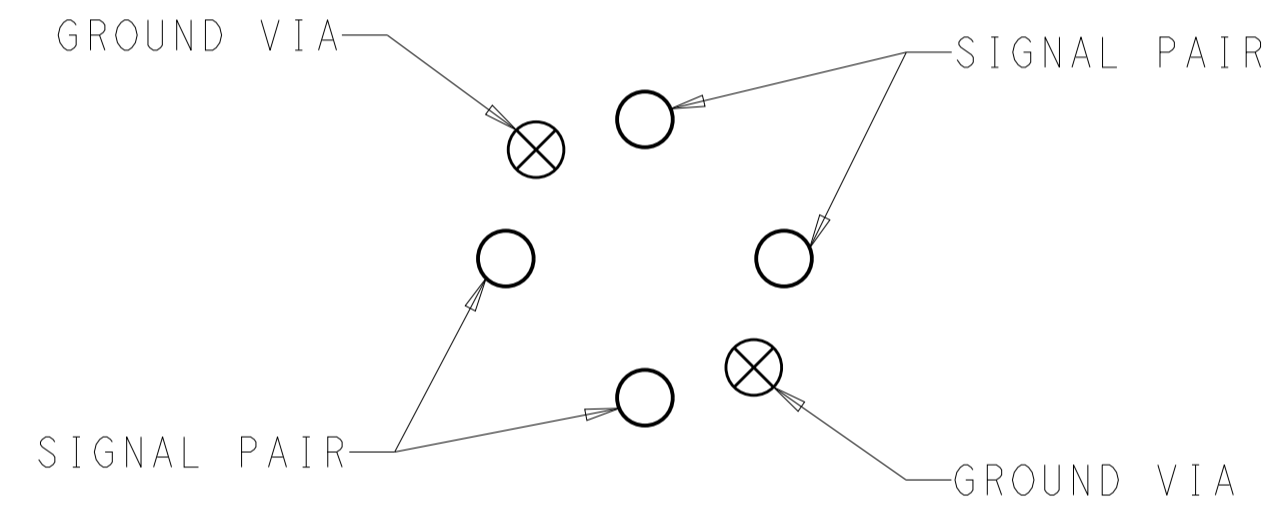
LOC		DIST		REVISIONS			
P	LTN	DESCRIPTION	DATE	DMN	APVD		
B		REVISED PER ECO-14-013271	08SEP2014	AP	DD		



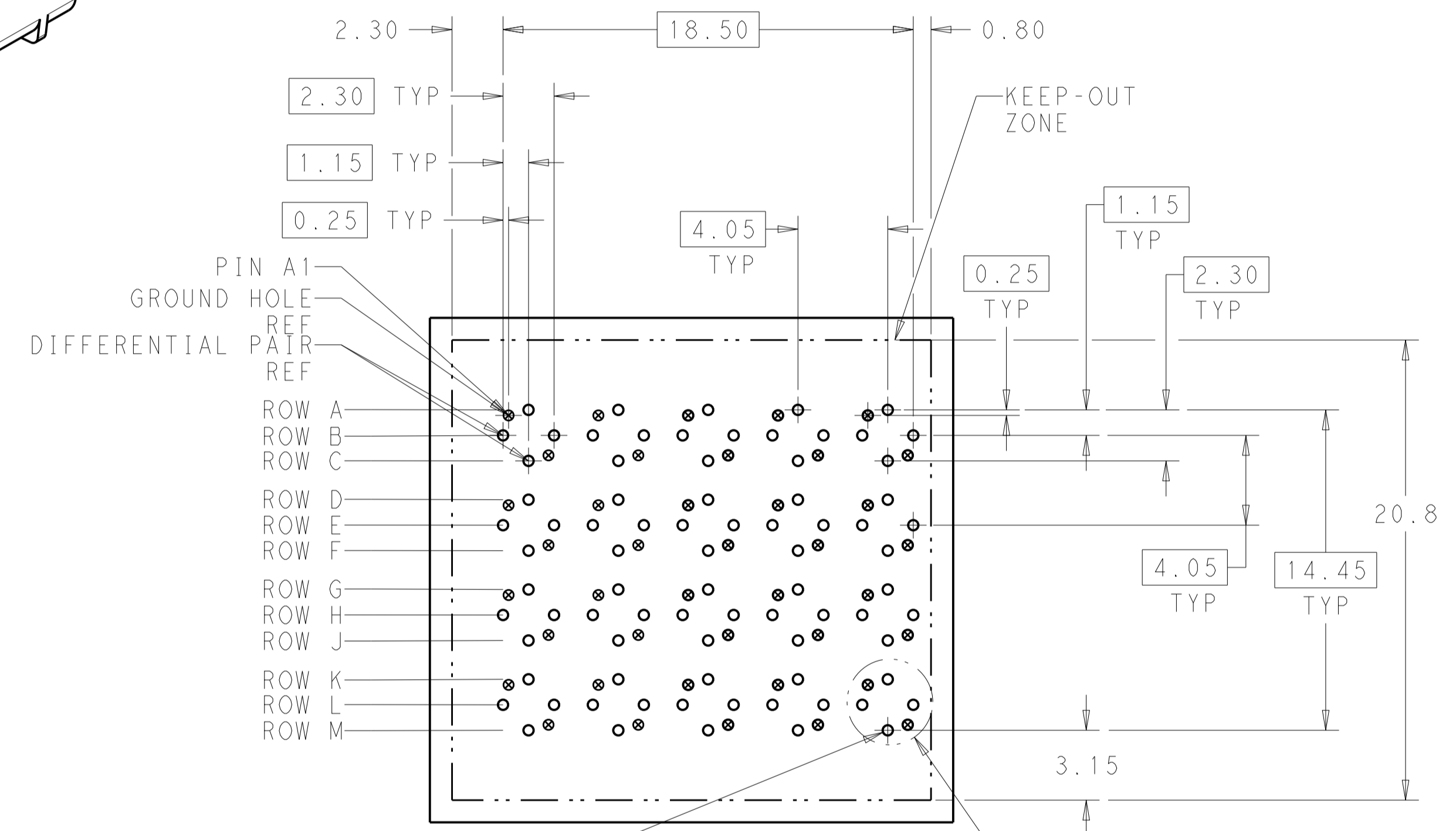
NOTCH DESIGNATES ROW A



1 MATERIAL:
 HOUSING: LCP, GLASS FILLED, UL94V-0.
 TERMINALS: HIGH PERFORMANCE COPPER ALLOY.
 2 FINISH:
 30µ" MIN GOLD IN CONTACT AREA. SELECTIVE TIN ON PCB TAILS, NICKEL OVERALL.



DETAIL X
 SCALE 16:1

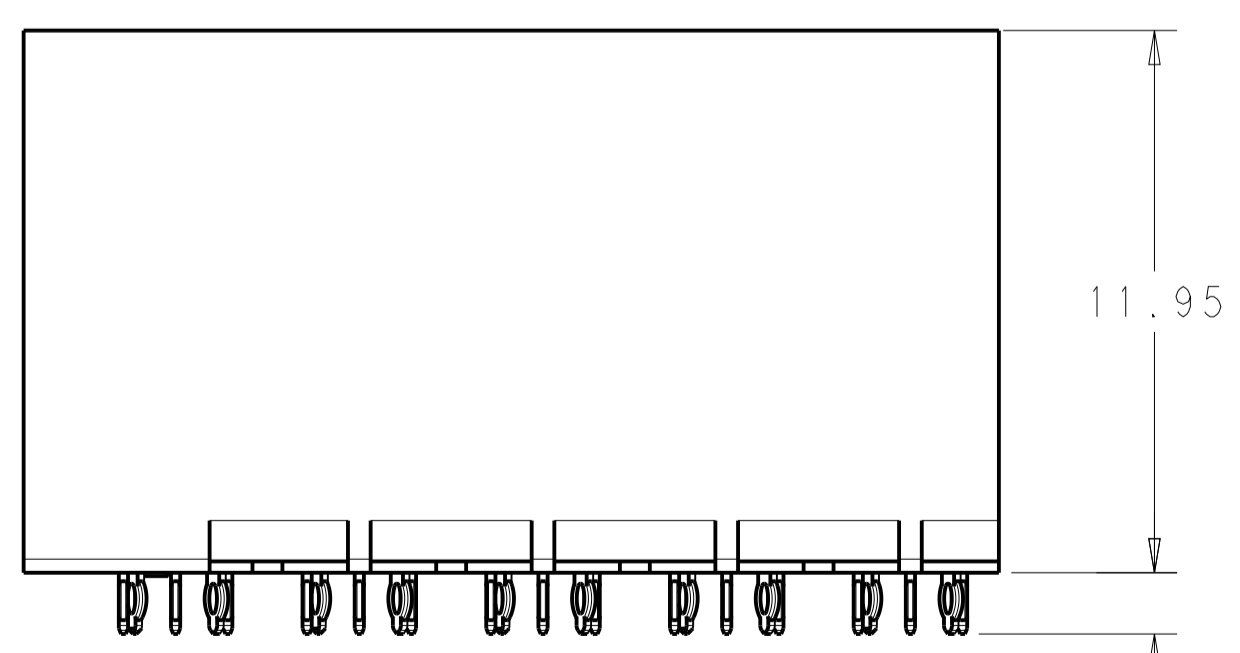


120X Ø0.46±0.08
 PLATED THRU HOLE

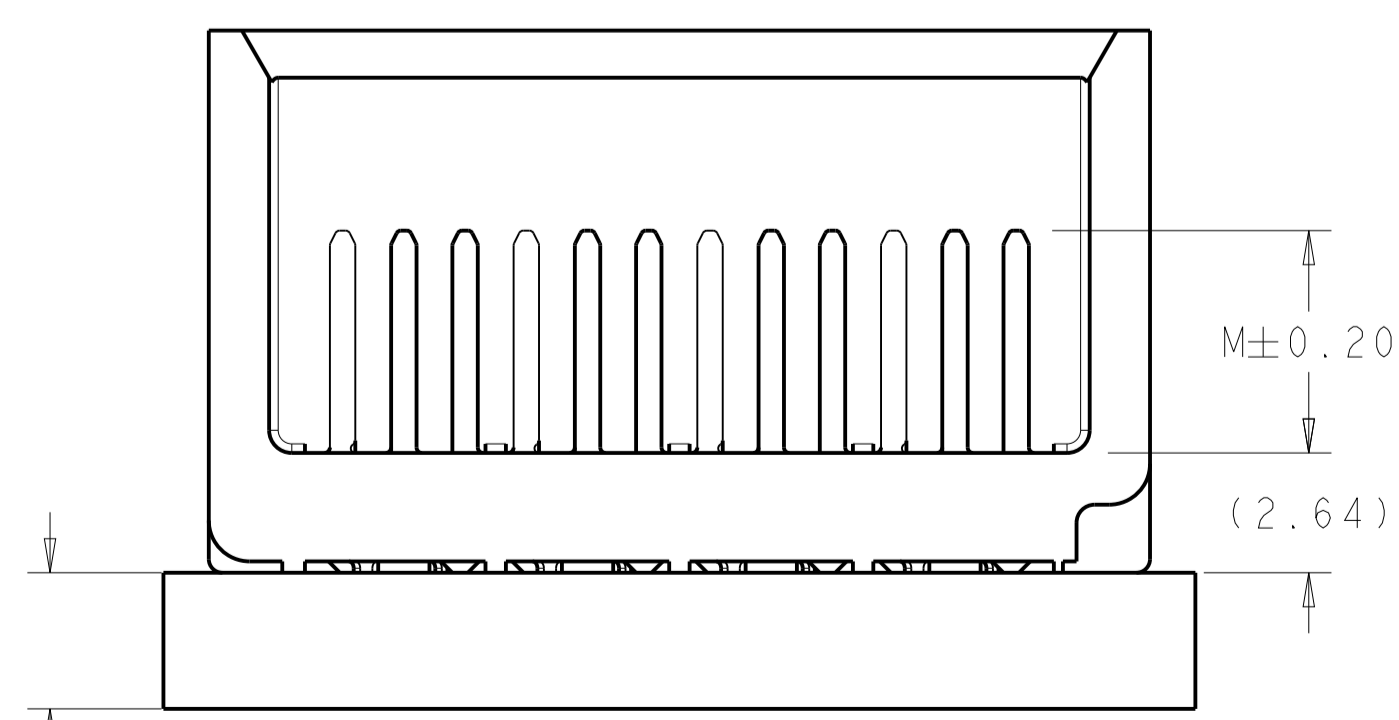
120X Ø0.55±0.013
 DRILL HOLE
 Ø0.10

UNGUIDED
 BACKPLANE HOLE PATTERN
 (CONNECTOR SIDE)

REFER TO WWW.TE.COM
 FOR PRODUCT AVAILABILITY



1.4 TAIL LENGTH



3.00
 MINIMUM BOARD THICKNESS

2	5.5	2132638-2
2	4.9	2132638-1
FINISH	DIM M	PART NUMBER

THIS DRAWING IS A CONTROLLED DOCUMENT.		DMN: KIRAN HOLAL 07MAR2013	NAME: MPACT, ORTHOGONAL, 4 PAIR, 10 COLUMN	
DIMENSIONS: mm		CHK: D. DIXON 07MAR2013	HEADER, UNGUIDED, LEFT END WALL	
TOLERANCES UNLESS OTHERWISE SPECIFIED:		APVD: D. DIXON 07MAR2013	SIGNAL MODULE, 0.46 PTH	
0 PLC	±	PRODUCT SPEC	SIZE	CAGE CODE
1 PLC	±0.25	APPLICATION SPEC	A100779	©=2132638
2 PLC	±0.13	WEIGHT	SCALE	6:1
3 PLC	±	Customer Drawing	SHEET	1 OF 1
4 PLC	±		REV	B
ANGLES	±			
MATERIAL	FINISH			
	SEE TABLE			