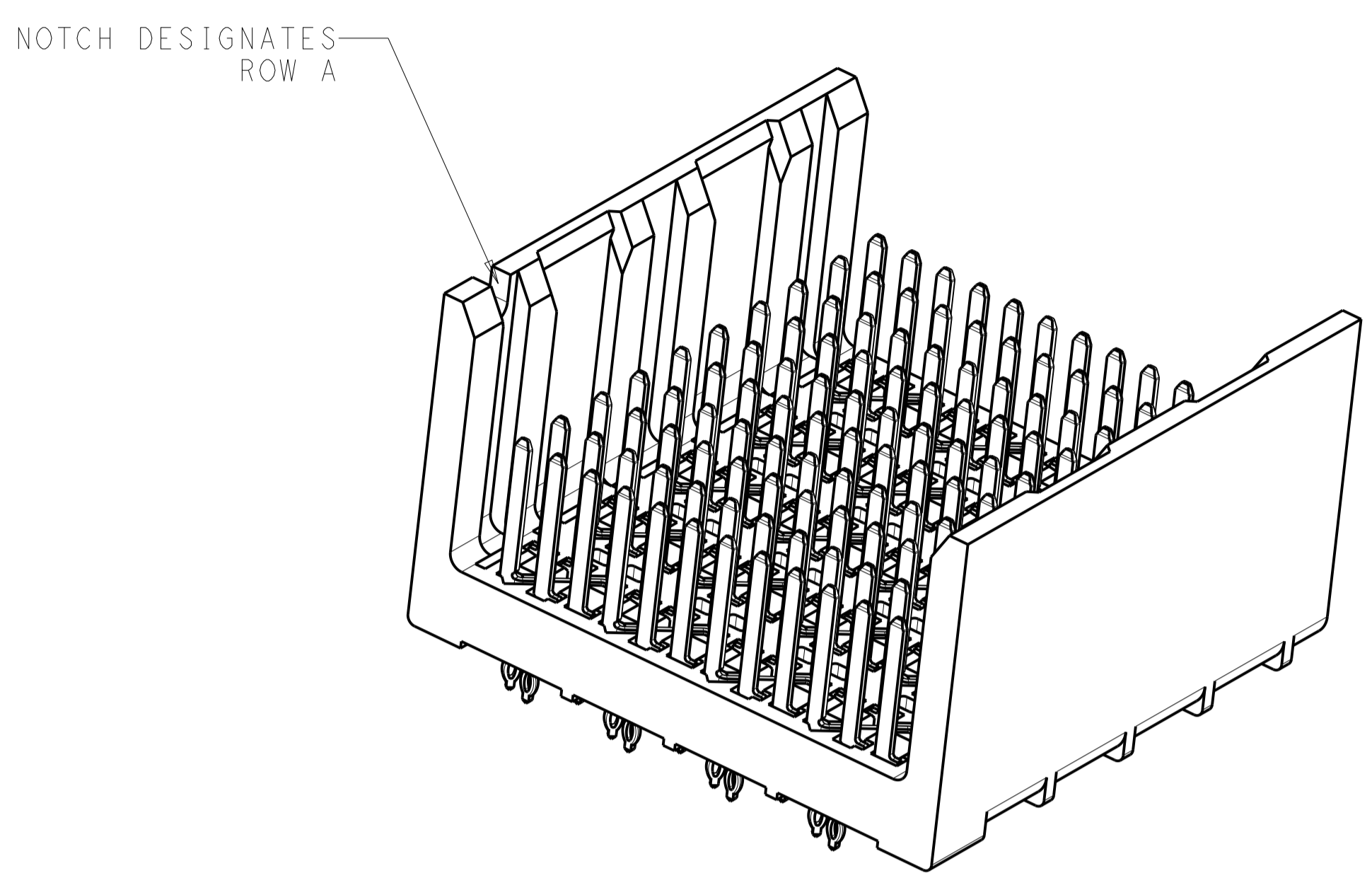
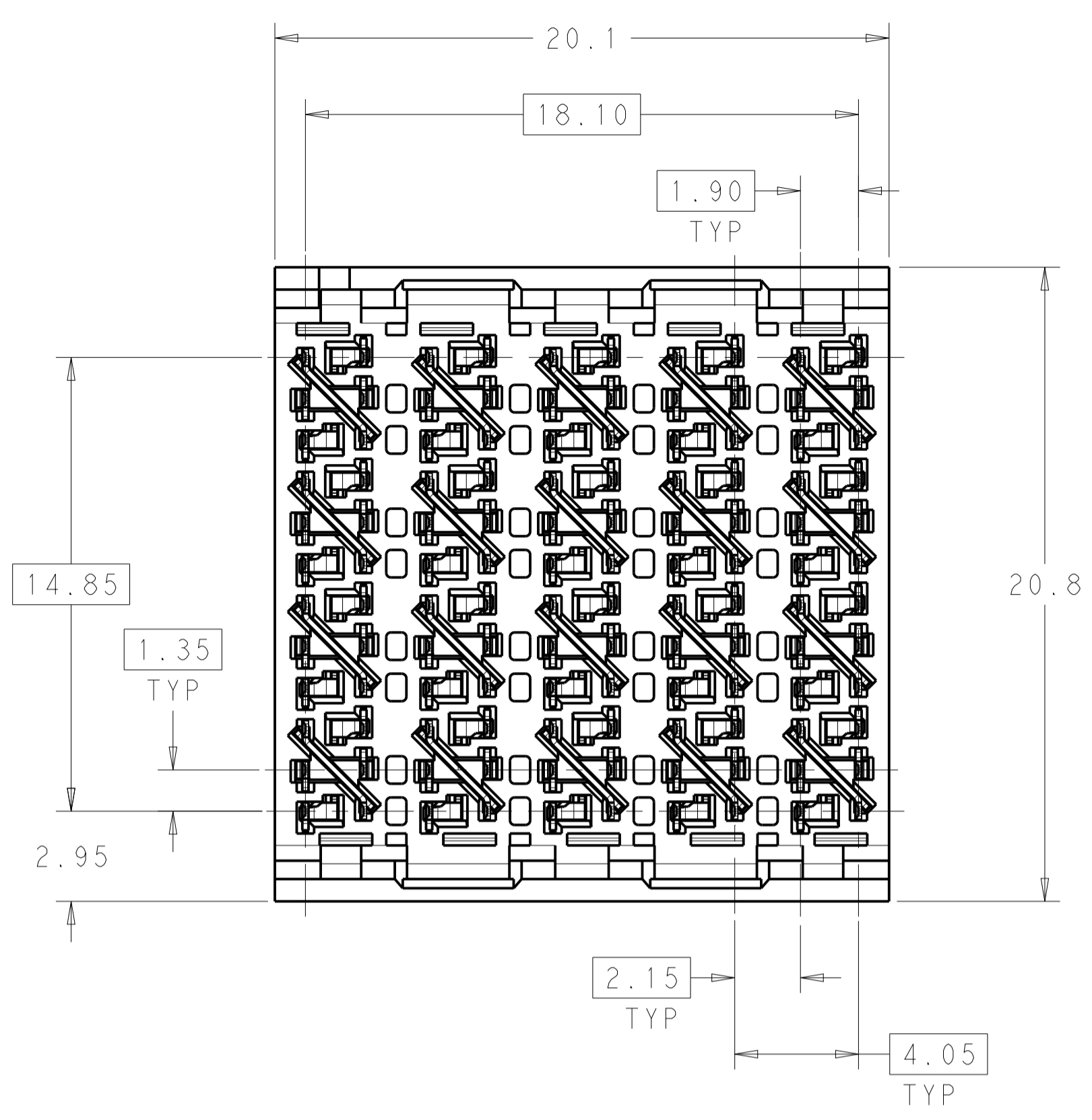
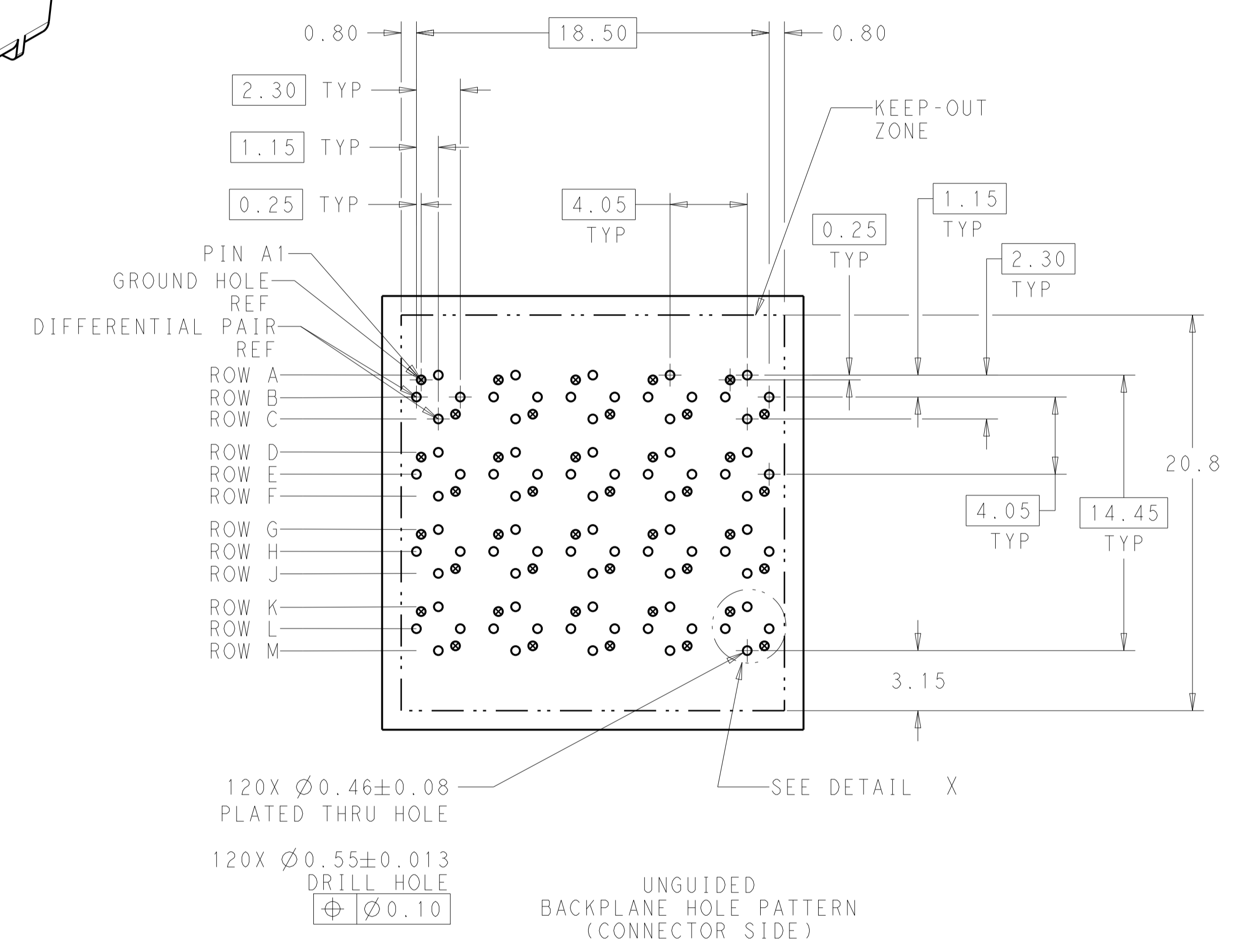
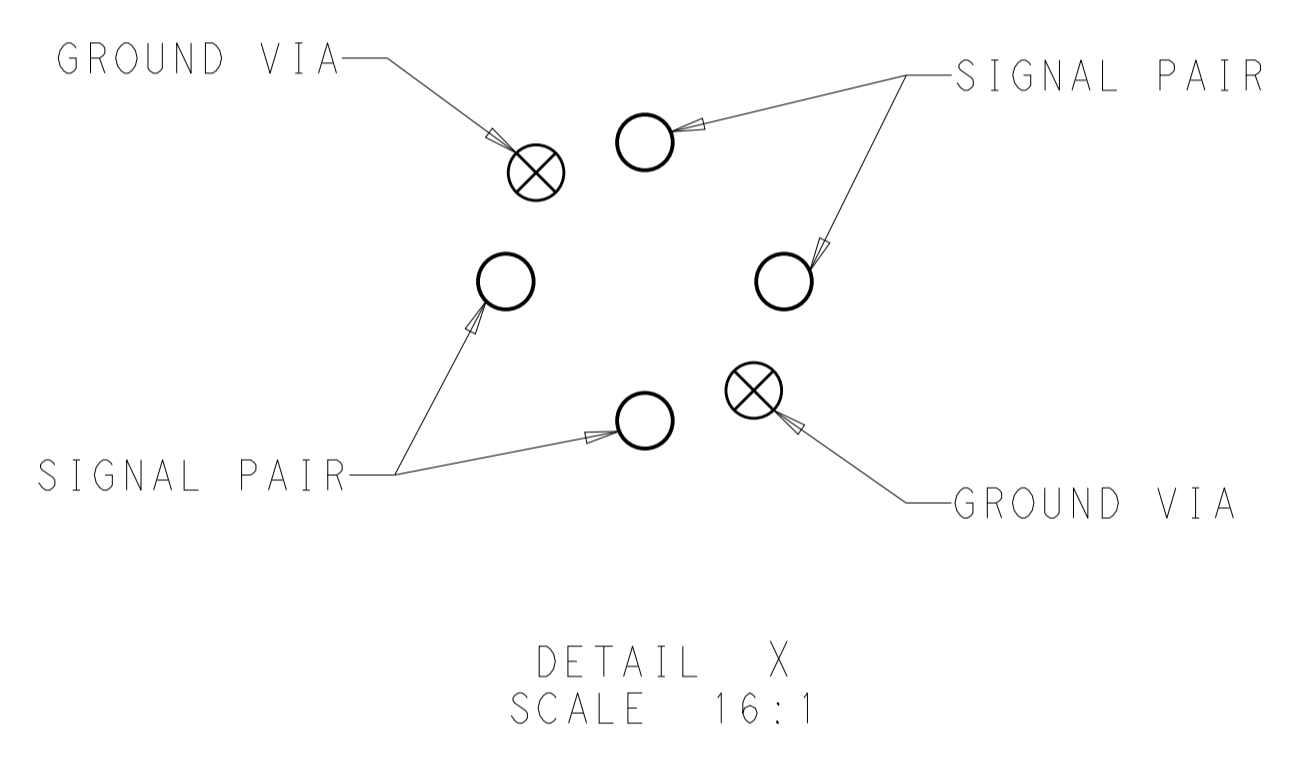


LOC		DIST		REVISIONS			
AD	00	P	LTN	DESCRIPTION	DATE	DWN	APVD
		B		REVISED PER ECO-14-013271	08SEP2014	AP	DD

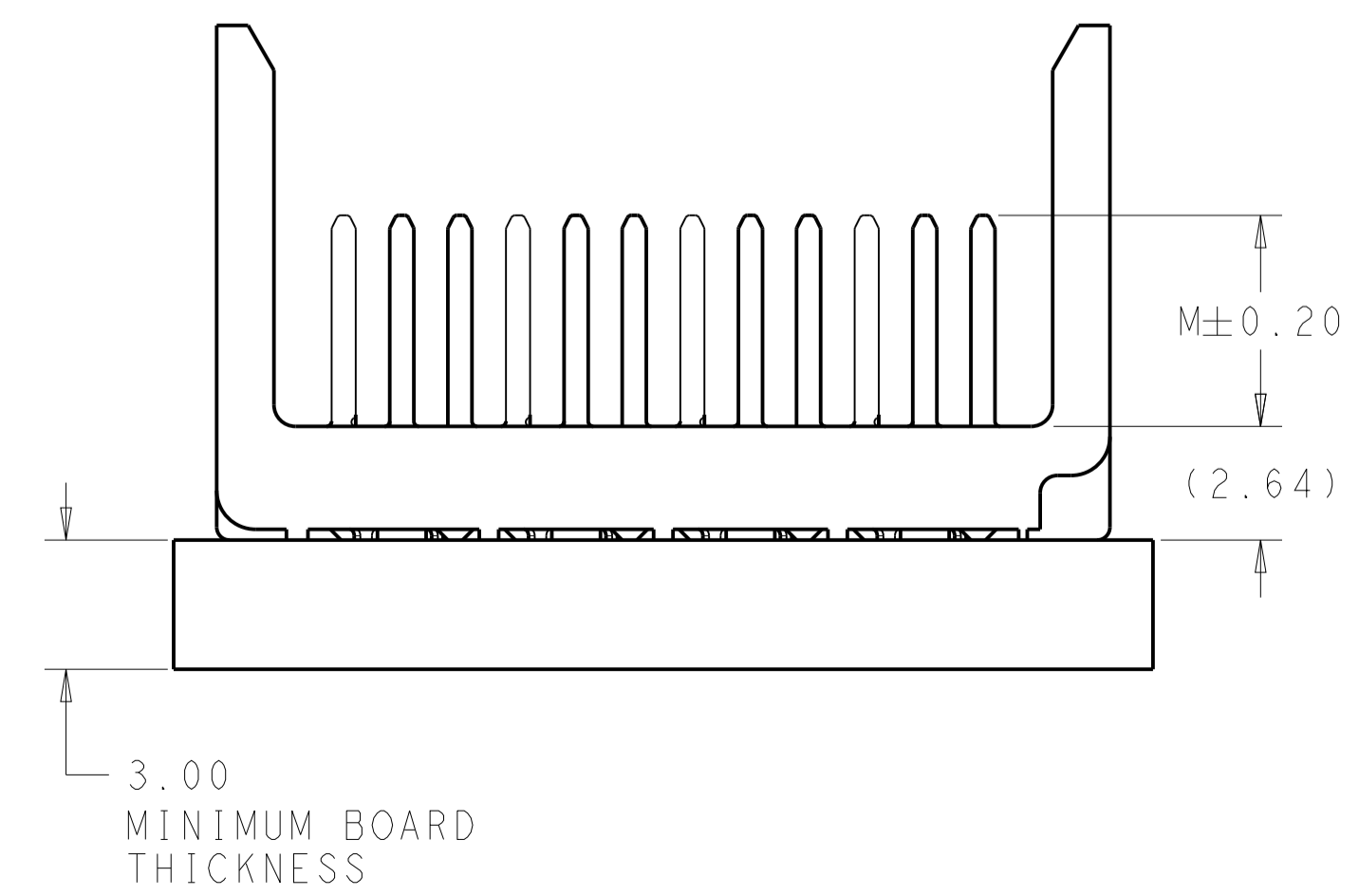
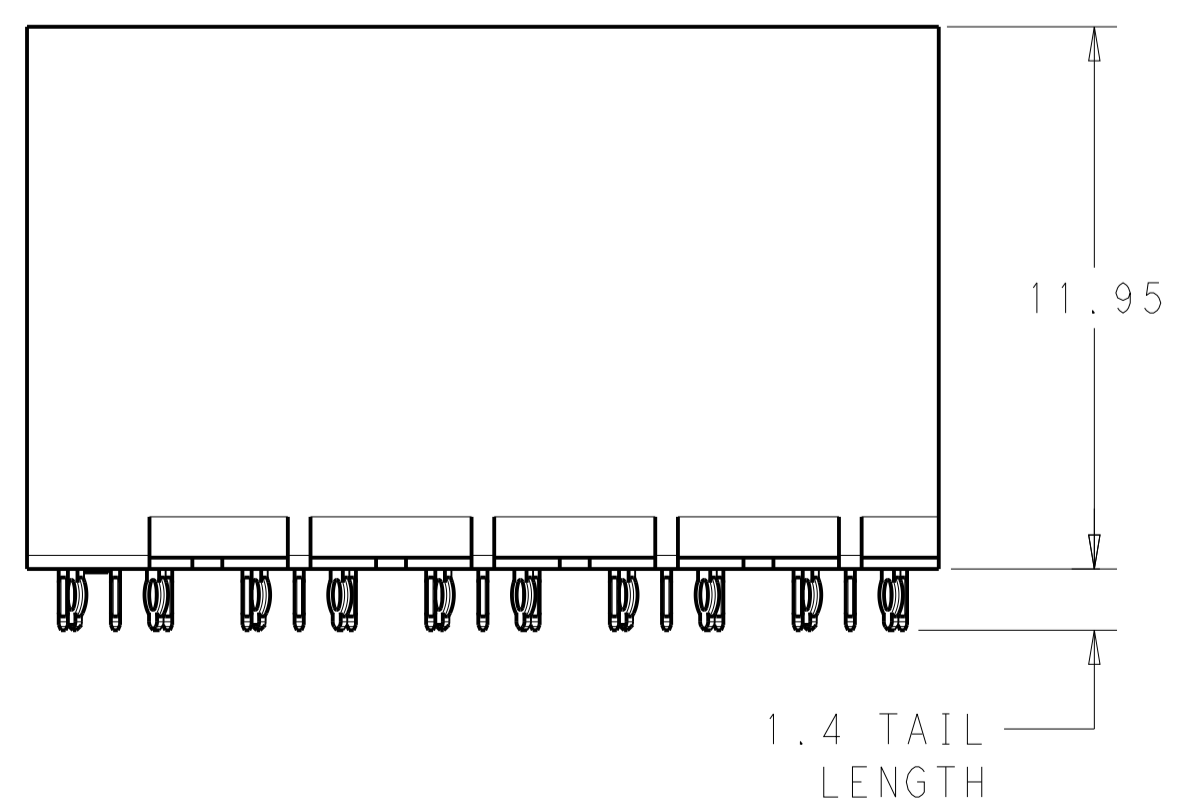


⚠ MATERIAL:
 HOUSING: LCP, GLASS FILLED, UL94V-0.
 TERMINALS: HIGH PERFORMANCE COPPER ALLOY.

⚠ FINISH:
 30µ" MIN GOLD IN CONTACT AREA. SELECTIVE TIN
 ON PCB TAILS, NICKEL OVERALL.



REFER TO WWW.TE.COM
 FOR PRODUCT AVAILABILITY



⚠	5.5	2132637-2
⚠	4.9	2132637-1
FINISH	DIM M	PART NUMBER

THIS DRAWING IS A CONTROLLED DOCUMENT.		DWN: KIRAN HOLAL 16APR2013	TE Connectivity	
DIMENSIONS: mm		CHK: D. DIXON 16APR2013	IMPACT, ORTHOGONAL, 4 PAIR, 10 COLUMN HEADER, UNGUIDED, OPEN END WALL SIGNAL MODULE, 0.46 PTH	
TOLERANCES UNLESS OTHERWISE SPECIFIED:		APVD: D. DIXON 16APR2013	SIZE: CAGE CODE: DRAWING NO: A100779C=2132637	
0 PLC	±	PRODUCT SPEC	RESTRICTED TO	
1 PLC	±0.25	APPLICATION SPEC	Customer Drawing	
2 PLC	±0.13	WEIGHT	SCALE: 6:1 SHEET 1 OF 1 REV B	
3 PLC	±	FINISH		
4 PLC	±	SEE TABLE		
ANGLES	±			