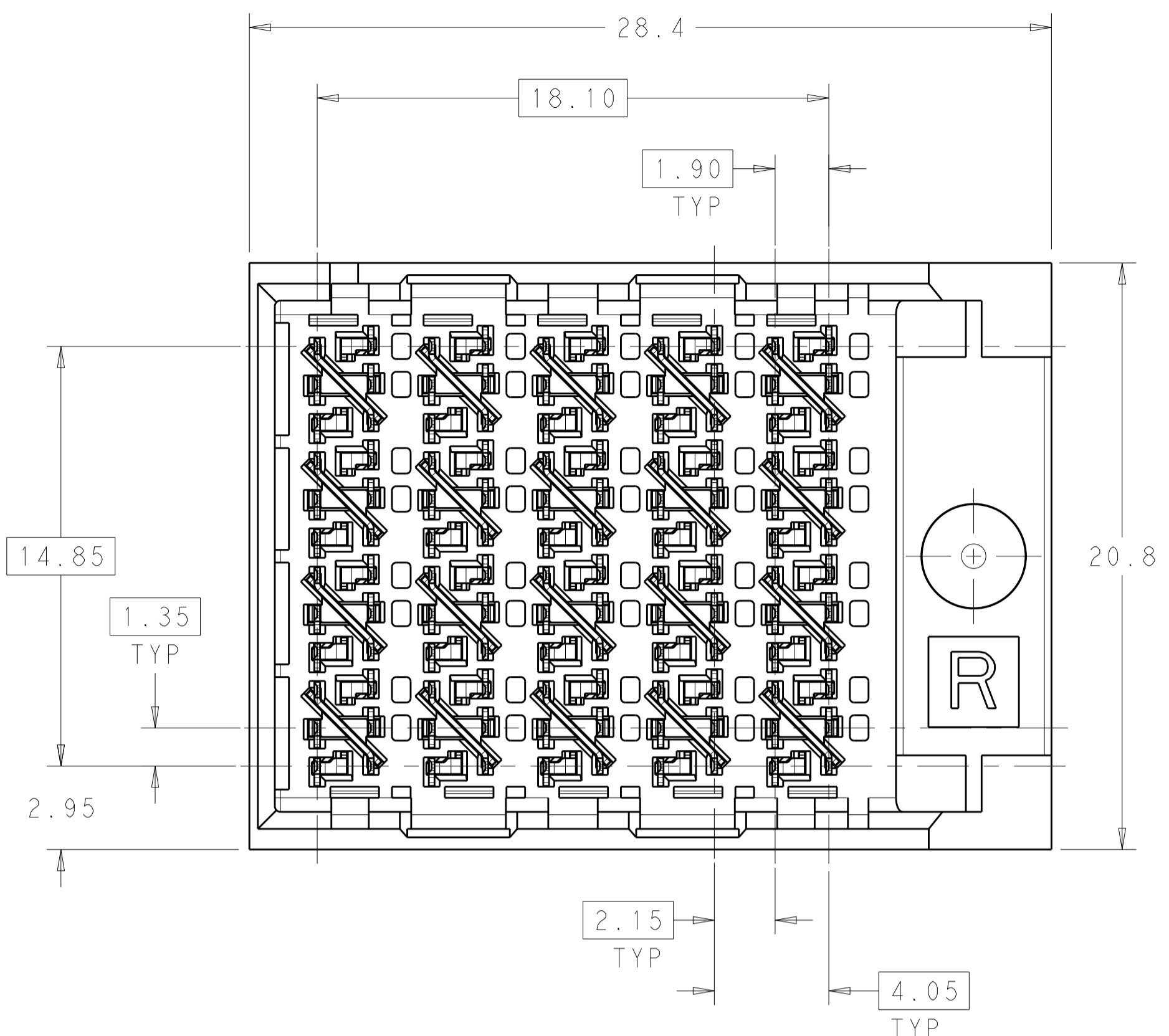
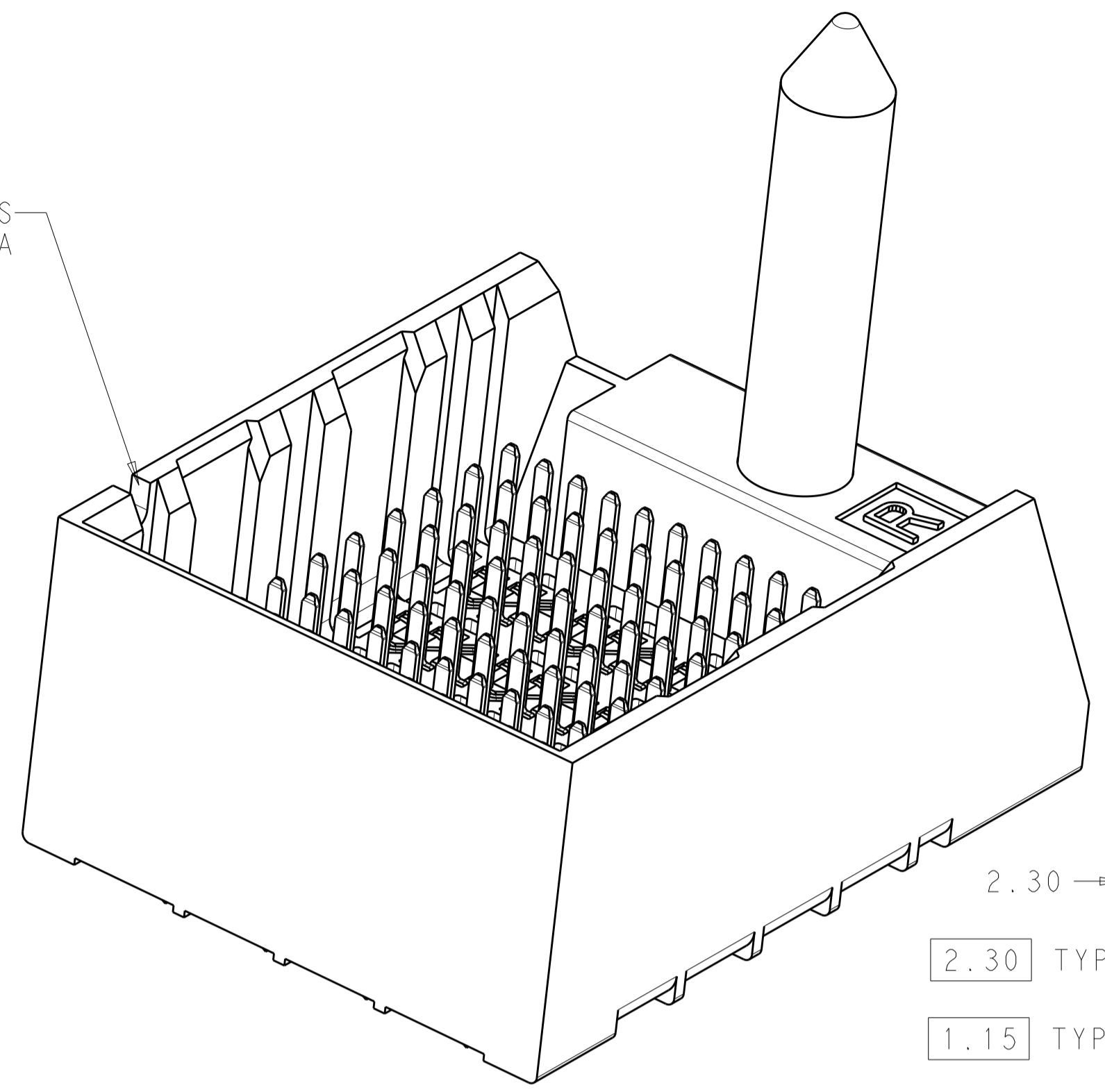


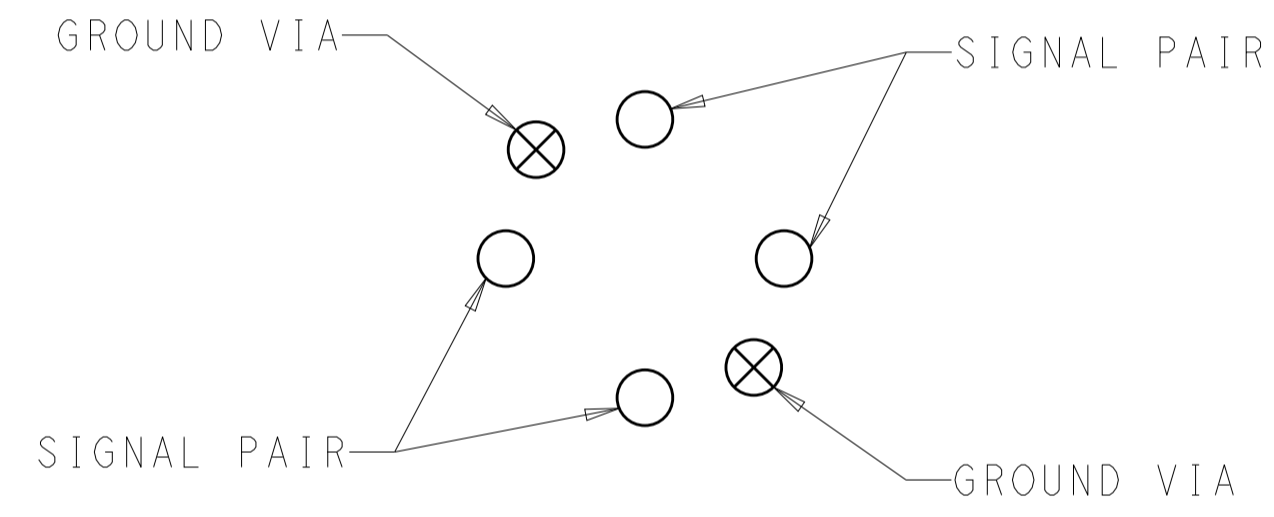
LOC		DIST		REVISIONS			
AD	00	P	LTN	DESCRIPTION	DATE	OWN	APVD
		B1		REVISED PER ECO-15-003239	24MAR2015	AP	DD



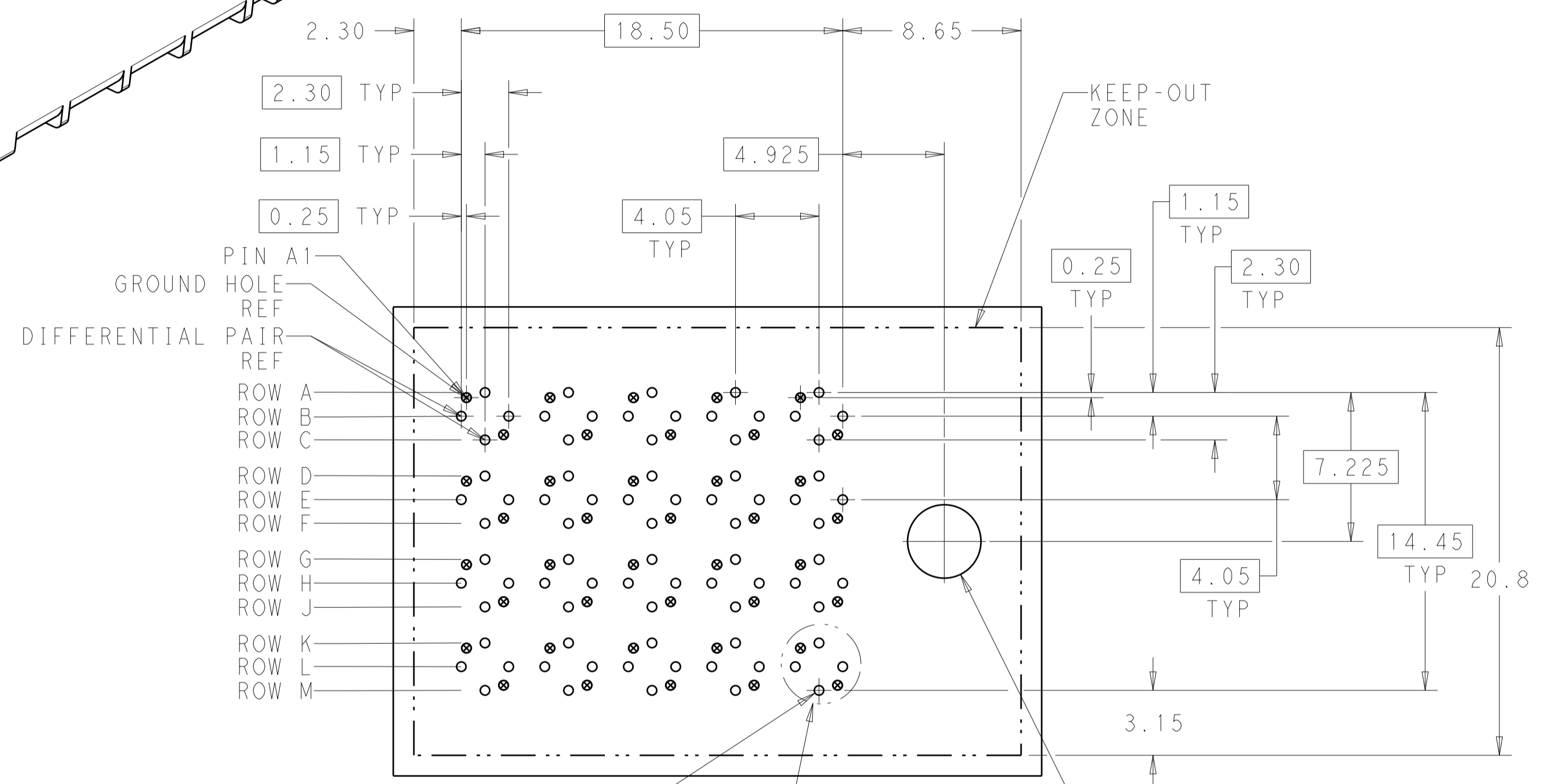
NOTCH DESIGNATES ROW A



- △ MATERIAL:
HOUSING: LCP, GLASS FILLED, UL94V-0.
TERMINALS: HIGH PERFORMANCE COPPER ALLOY.
- △ FINISH:
30μ" MIN GOLD IN CONTACT AREA. SELECTIVE TIN ON PCB TAILS, NICKEL OVERALL.
- 3. SCREWS PACKAGED IN END OF PACKAGING TUBE.
- △ FOR GROUNDED GUIDE PIN USE $\varnothing 3.56 \pm 0.08$ PTH, $\varnothing 3.66$ DRILL, AND $\varnothing 6.5$ PAD.



DETAIL X
SCALE 16:1

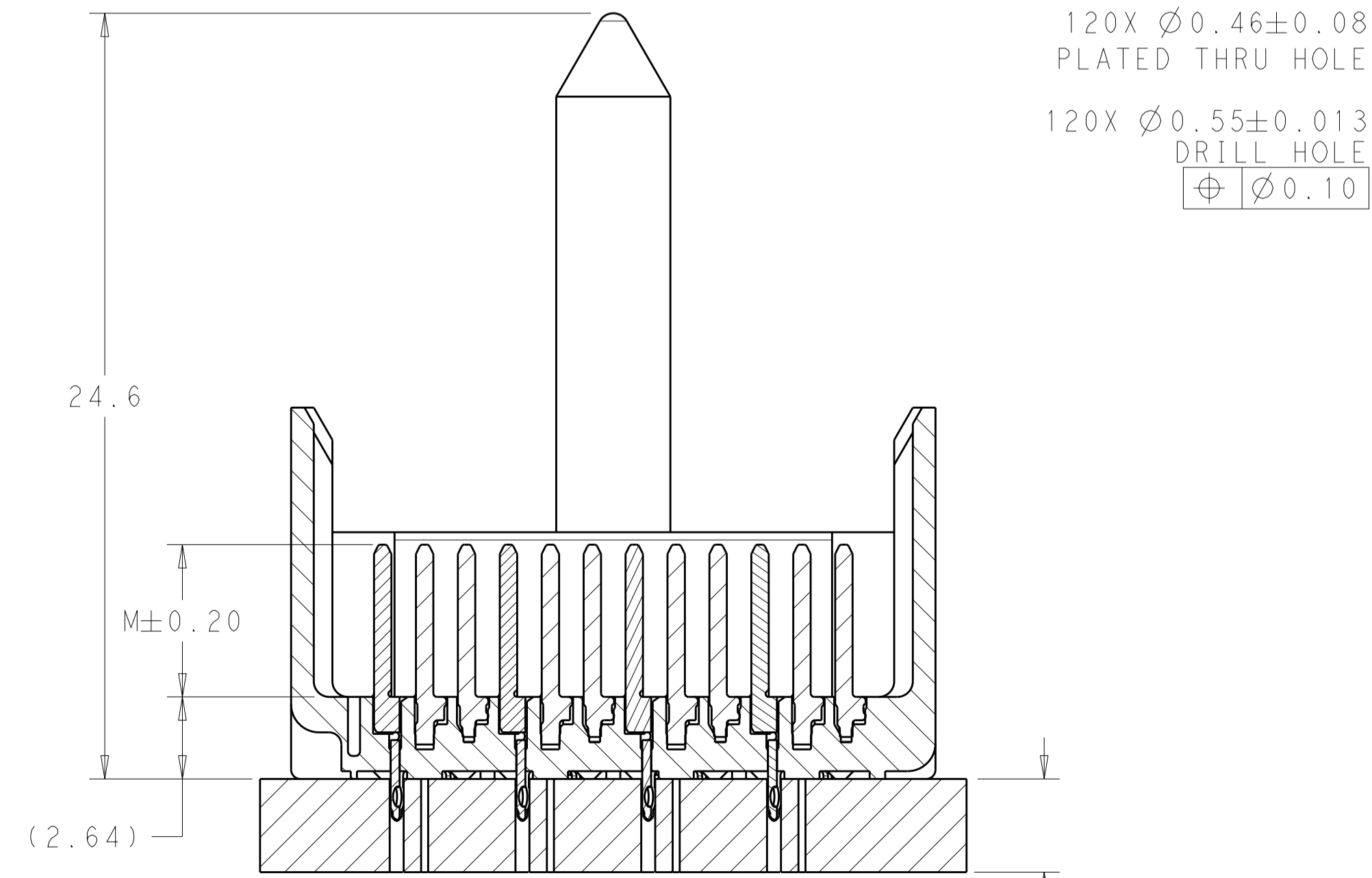
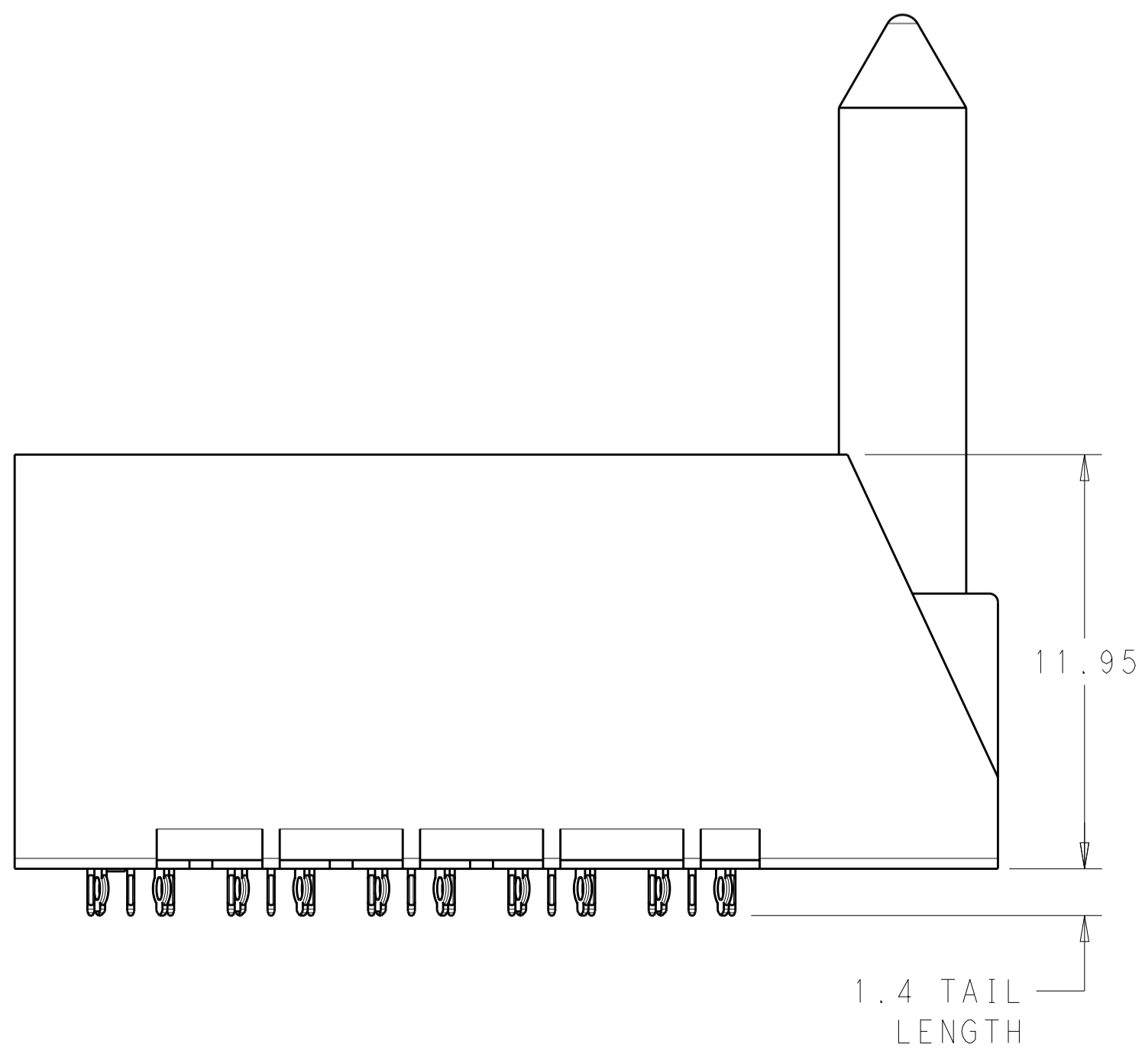


- PIN A1
- GROUND HOLE REF
- DIFFERENTIAL PAIR REF
- ROW A
- ROW B
- ROW C
- ROW D
- ROW E
- ROW F
- ROW G
- ROW H
- ROW J
- ROW K
- ROW L
- ROW M

120X $\varnothing 0.46 \pm 0.08$ PLATED THRU HOLE
 120X $\varnothing 0.55 \pm 0.013$ DRILL HOLE
 $\varnothing 0.10$
 $\varnothing 3.56 \pm 0.08$ UNPLATED SCREW HOLE △
 RIGHT GUIDED BACKPLANE HOLE PATTERN (CONNECTOR SIDE)

REFER TO WWW.TE.COM FOR PRODUCT AVAILABILITY

△	5.5	2132636-2
△	4.9	2132636-1
FINISH	DIM M	PART NUMBER



SECTION X-X

THIS DRAWING IS A CONTROLLED DOCUMENT.		OWN: KIRAN HOLLAPATI 16APR2013	NAME: IMPACT, ORTHOGONAL, 4 PAIR, 10 COLUMN HEADER, RIGHT GUIDED, LEFT END WALL SIGNAL MODULE, 0.46 PTH
DIMENSIONS: mm		CHK: D. DIXON 16APR2013	PRODUCT SPEC: -
TOLERANCES UNLESS OTHERWISE SPECIFIED:		APVD: D. DIXON 16APR2013	APPLICATION SPEC: -
0 PLC ±0.25		SIZE: A1	RESTRICTED TO: -
1 PLC ±0.13		WEIGHT: -	SCALE: 6:1
2 PLC ±0.10		FINISH: SEE TABLE	SHEET: 1 OF 1
3 PLC ±0.08		REVISIONS: -	REV: B1
4 PLC ±0.05		Customer Drawing	