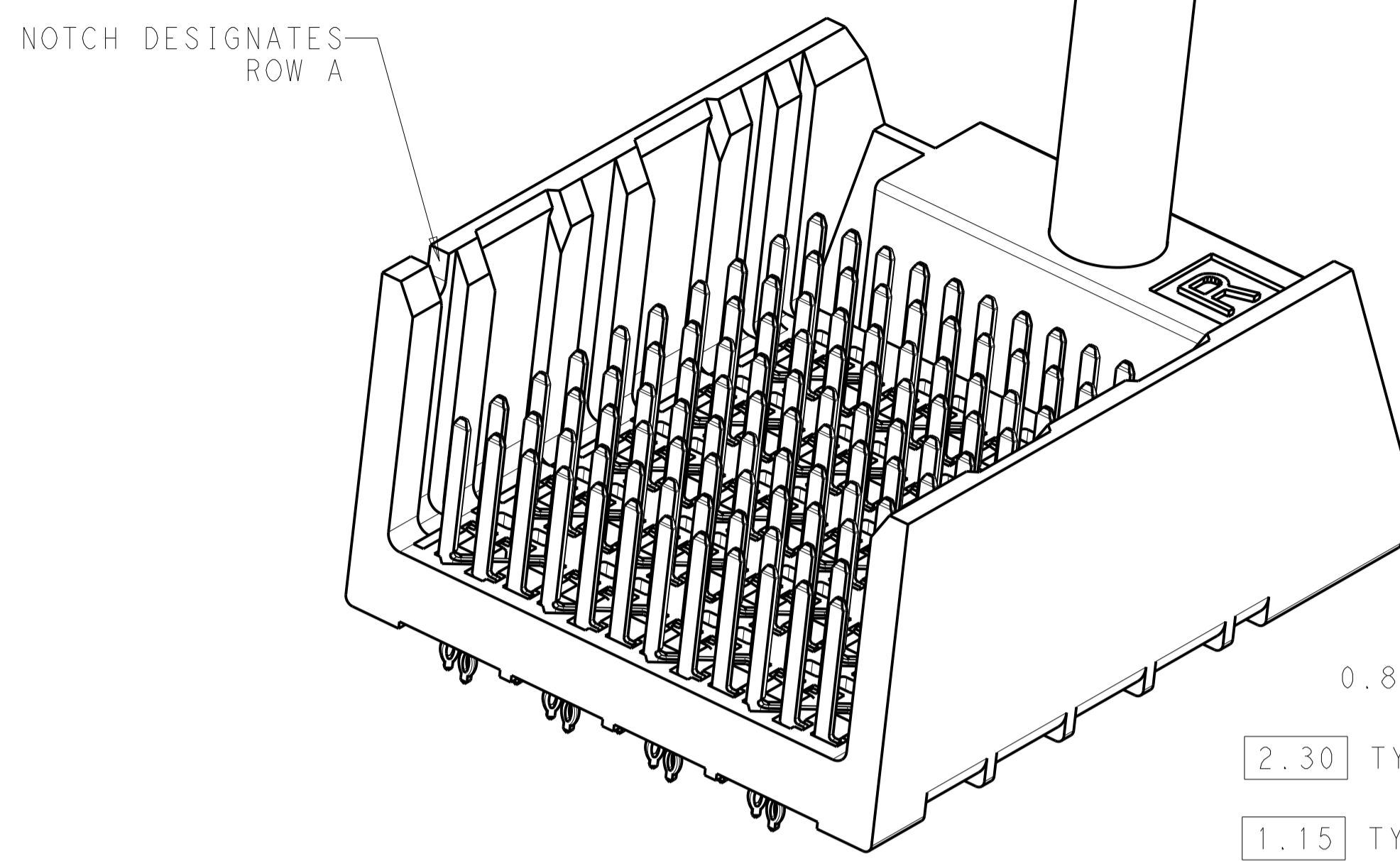
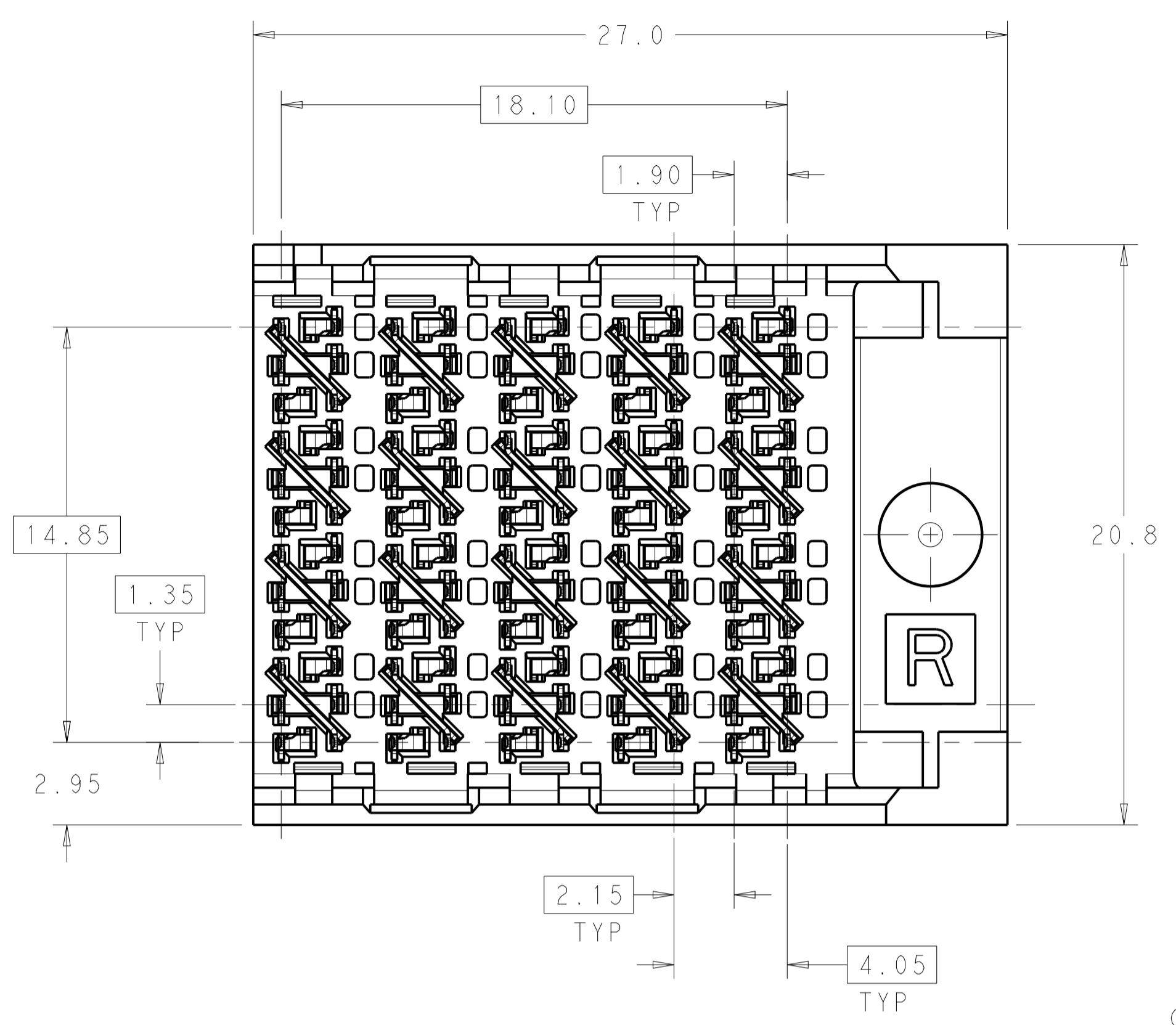
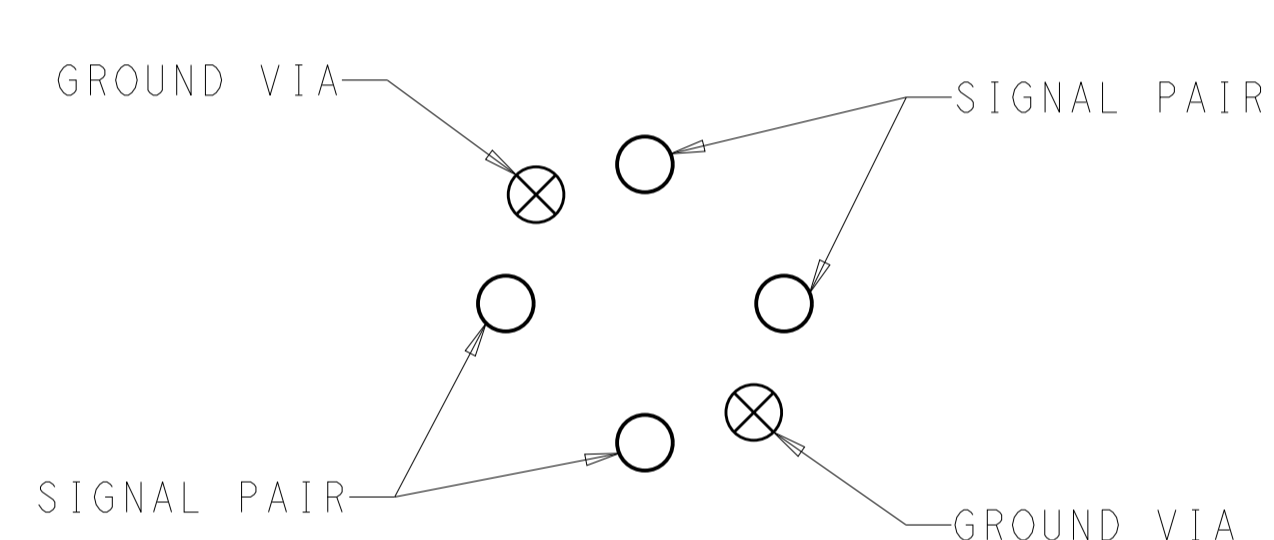


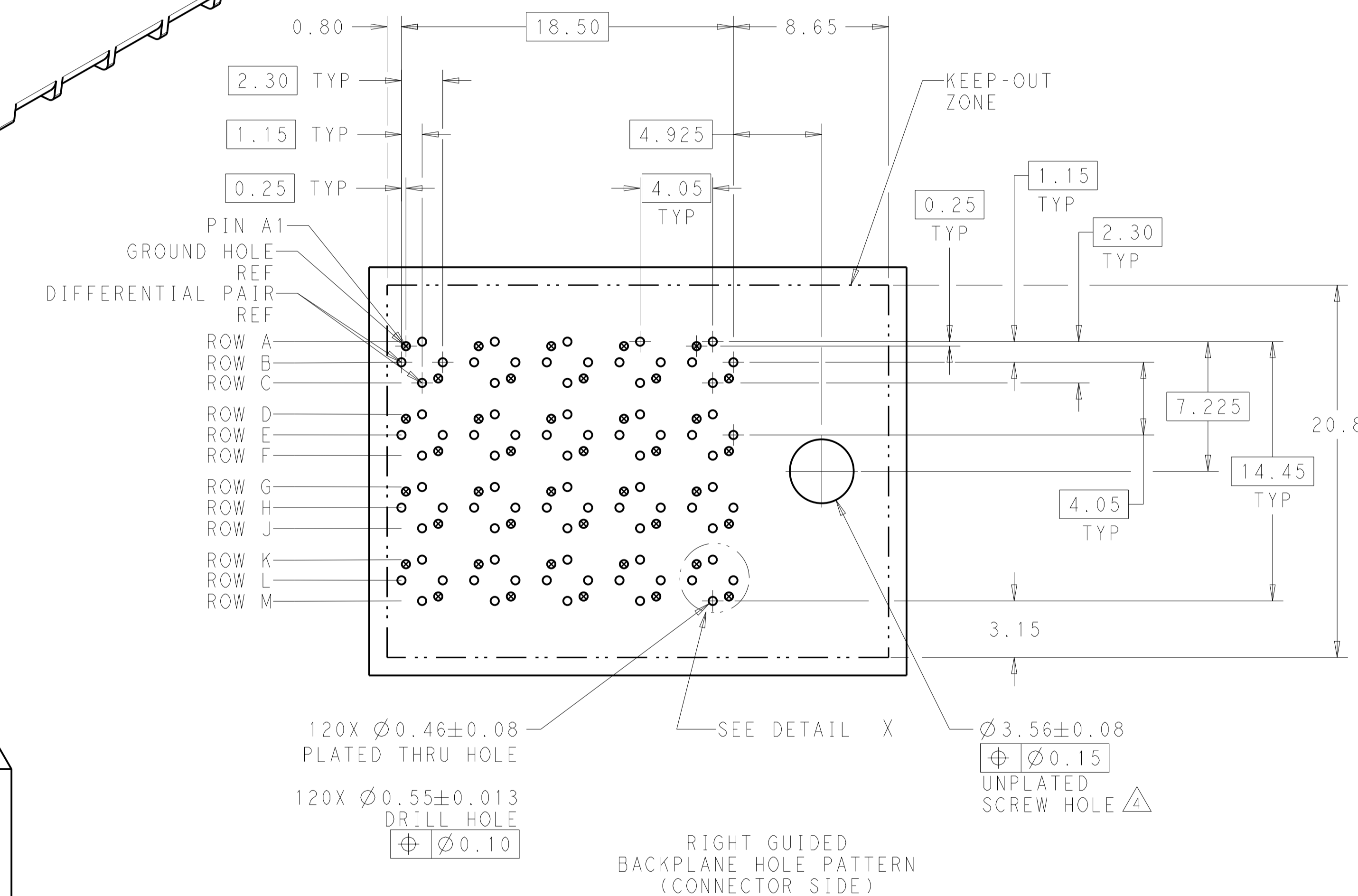
LOC		DIST		REVISIONS			
AD	00	P	LTN	DESCRIPTION	DATE	DWN	APVD
		B		REVISED PER ECO-14-013271	08SEP2014	AP	DD



- 1 MATERIAL:
HOUSING: LCP, GLASS FILLED, UL94V-0.
TERMINALS: HIGH PERFORMANCE COPPER ALLOY.
- 2 FINISH:
30µ" MIN GOLD IN CONTACT AREA. SELECTIVE TIN ON PCB TAILS, NICKEL OVERALL.
- 3. SCREWS PACKAGED IN END OF PACKAGING TUBE.
- 4 FOR GROUNDED GUIDE PIN USE $\varnothing 3.56 \pm 0.08$ PTH, $\varnothing 3.66$ DRILL, AND $\varnothing 6.5$ PAD.

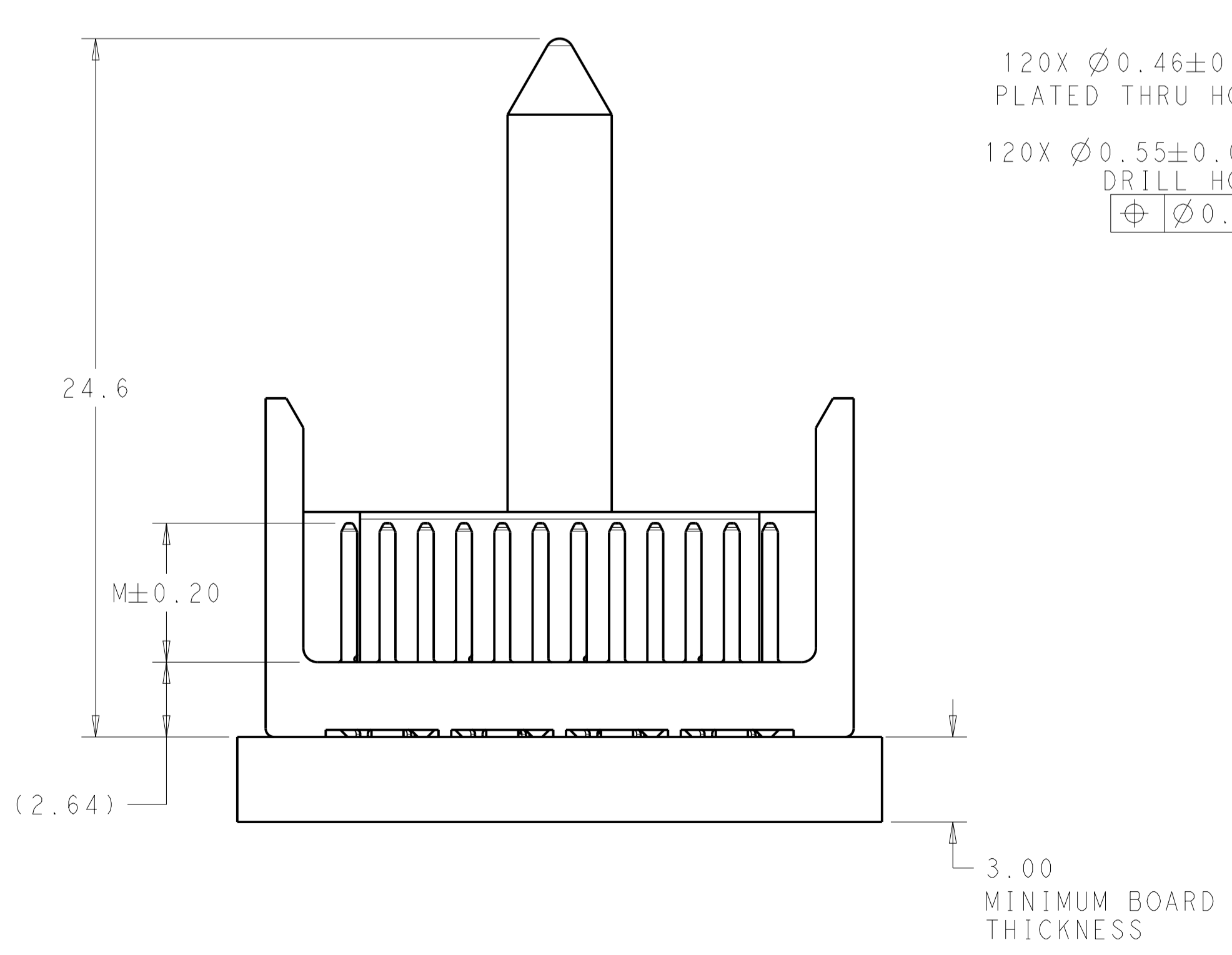
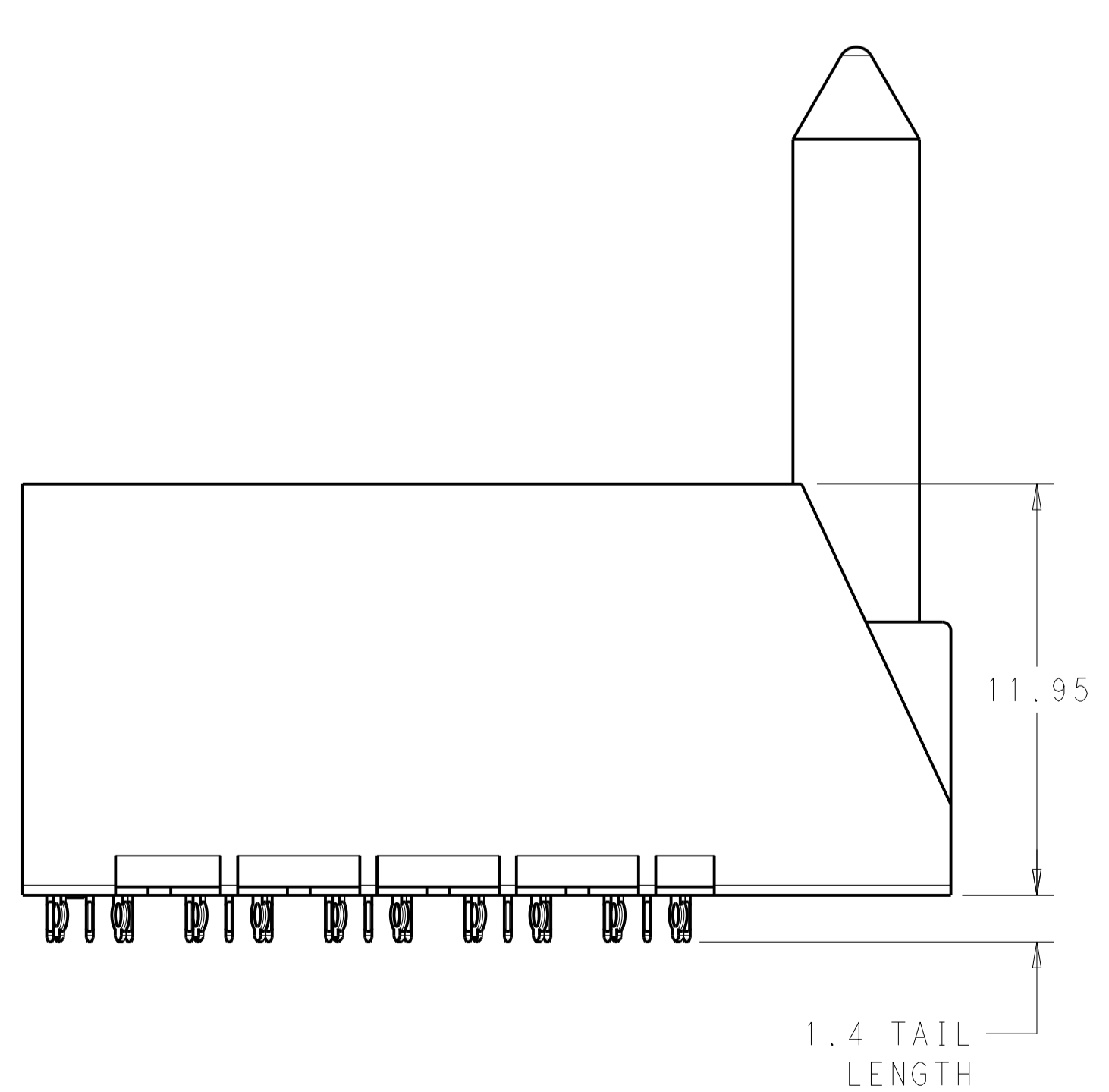


DETAIL X
SCALE 16:1



RIGHT GUIDED
BACKPLANE HOLE PATTERN
(CONNECTOR SIDE)

REFER TO WWW.TE.COM
FOR PRODUCT AVAILABILITY



2	5.5	2132635-2
2	4.9	2132635-1
FINISH	DIM M	PART NUMBER

THIS DRAWING IS A CONTROLLED DOCUMENT.		DWN: KIRAN HOLLAPATI 16APR2013	TE Connectivity
DIMENSIONS: mm		CHK: D. DIXON 16APR2013	
TOLERANCES UNLESS OTHERWISE SPECIFIED:		APVD: D. DIXON 16APR2013	NAME: IMPACT, ORTHOGONAL, 4 PAIR, 10 COLUMN HEADER, RIGHT GUIDED, OPEN END WALL SIGNAL MODULE, 0.46 PTH SIZE: CAGE CODE DRAWING NO: A100779 ©=2132635 RESTRICTED TO: Customer Drawing
0 PLC ± 1 PLC ±0.25 2 PLC ±0.13 3 PLC ± 4 PLC ± ANGLES ±		PRODUCT SPEC APPLICATION SPEC WEIGHT FINISH: SEE TABLE	
MATERIAL: SEE TABLE		SCALE: 6:1	SHEET 1 OF 1 REV B