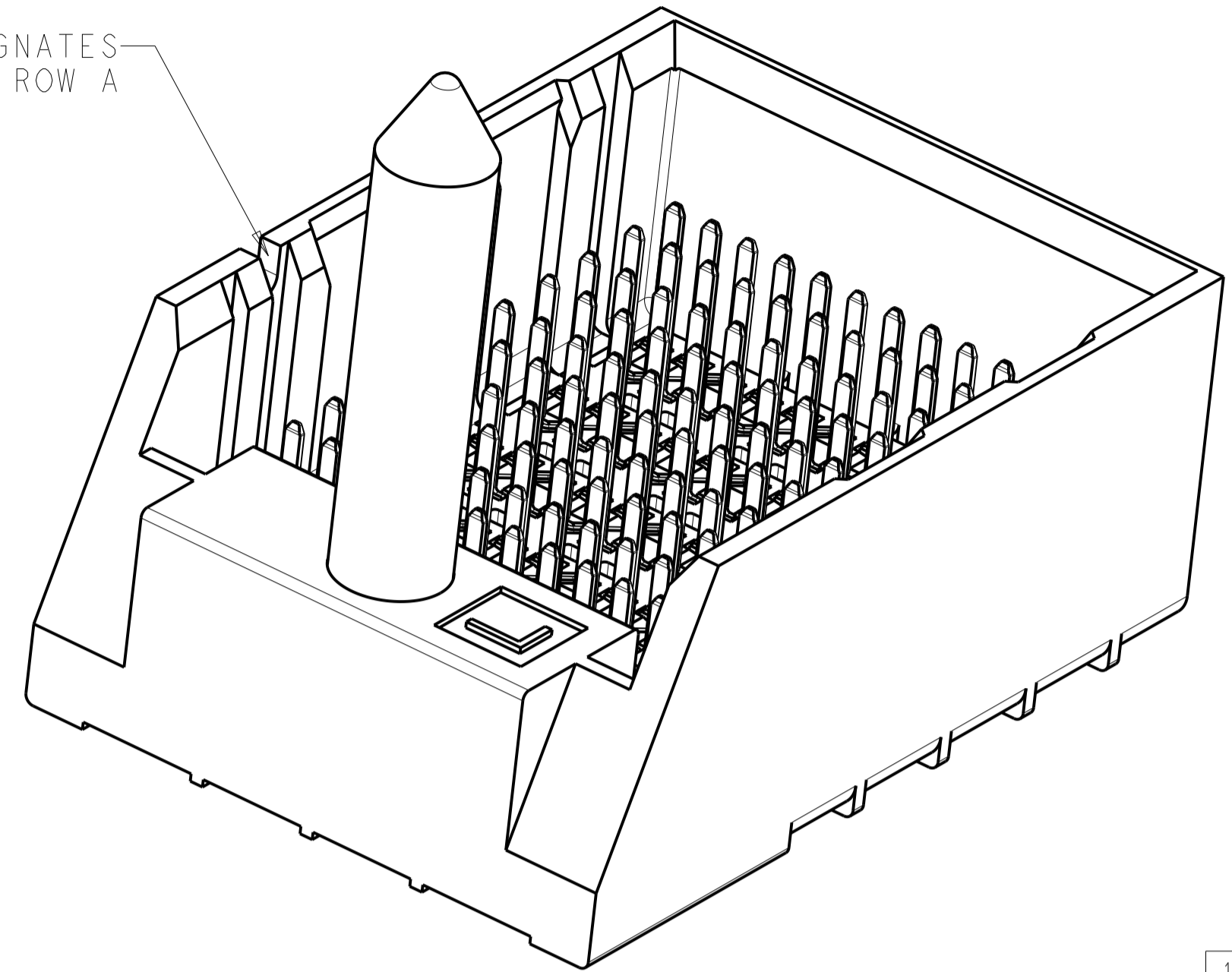
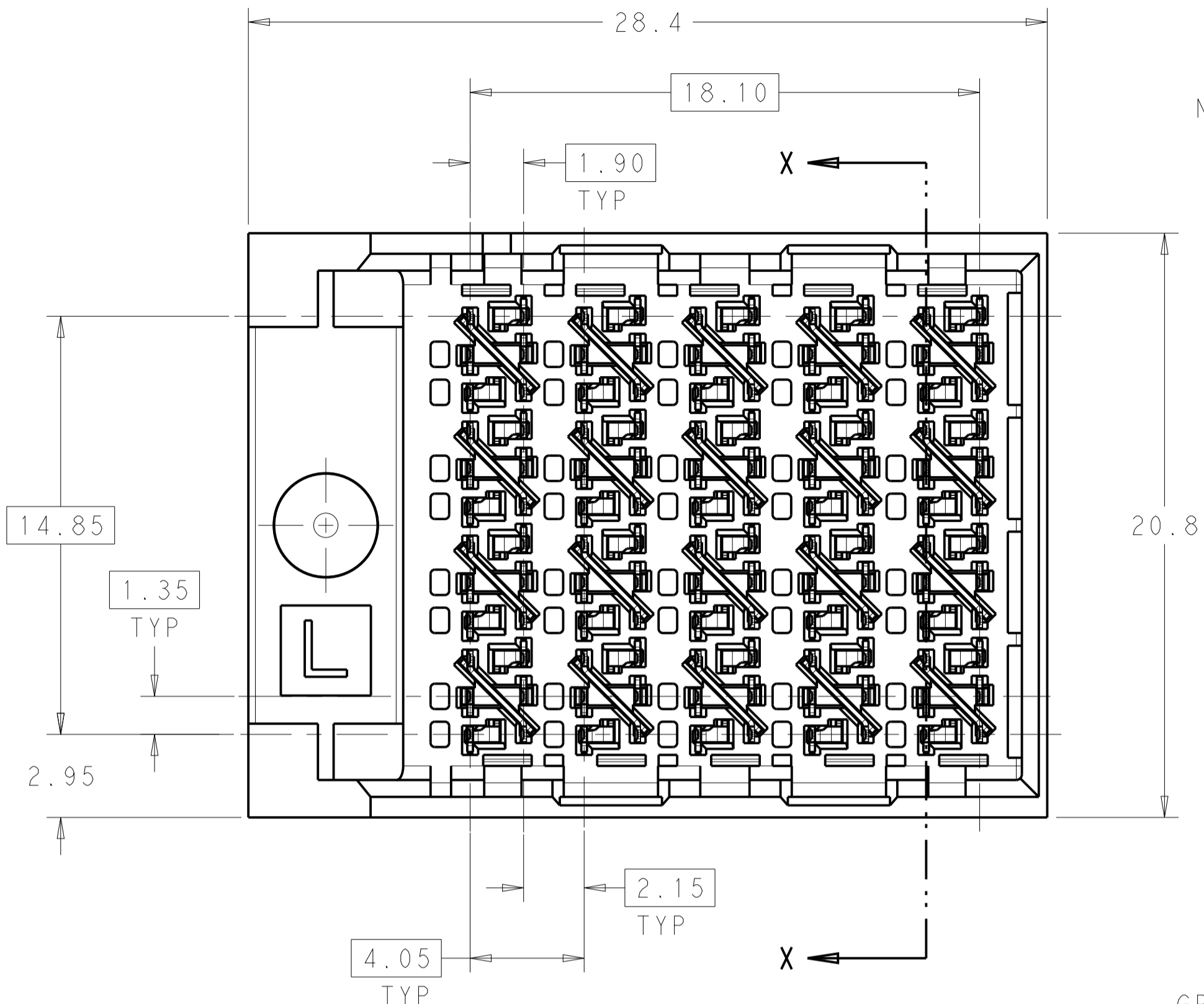
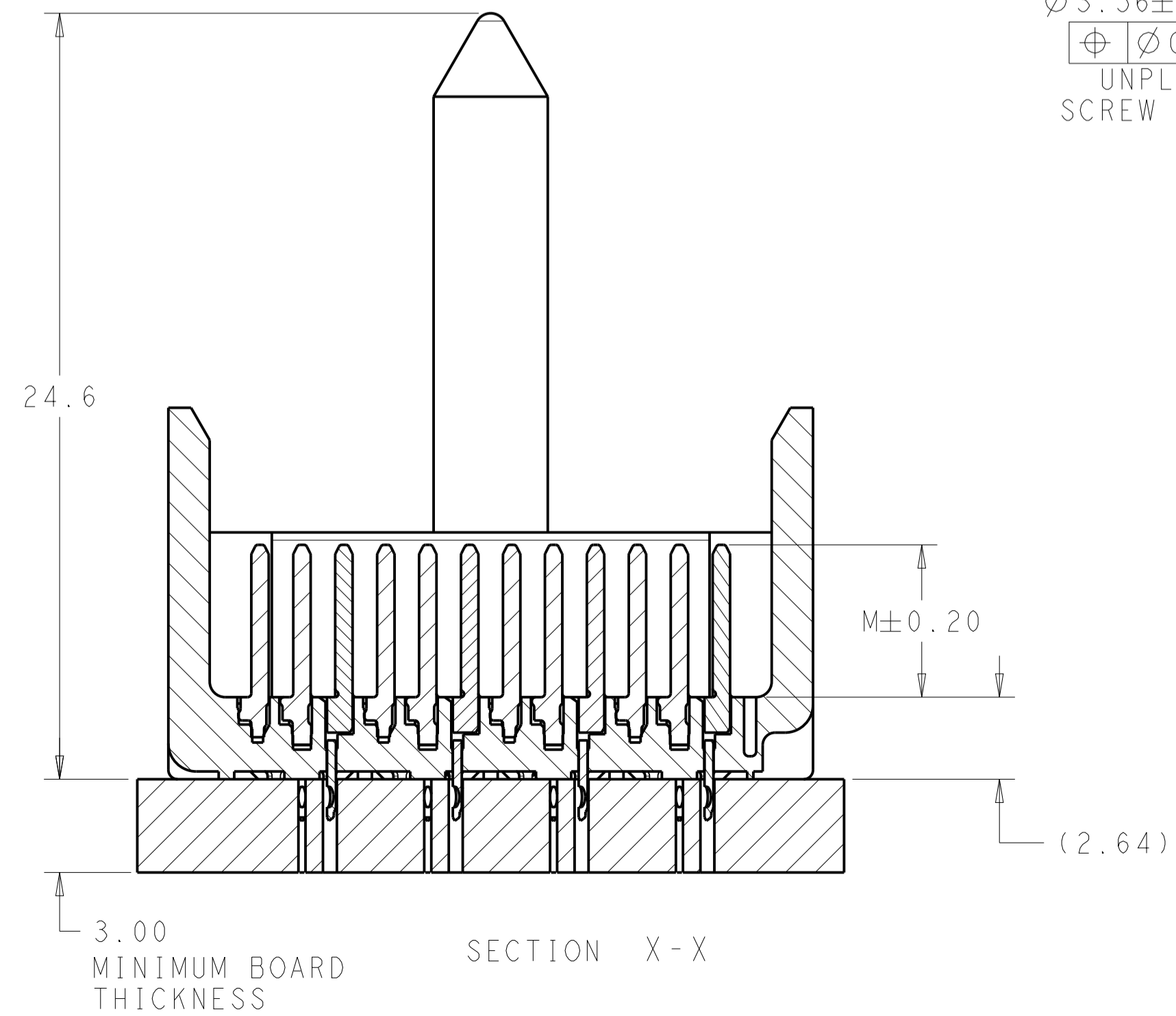
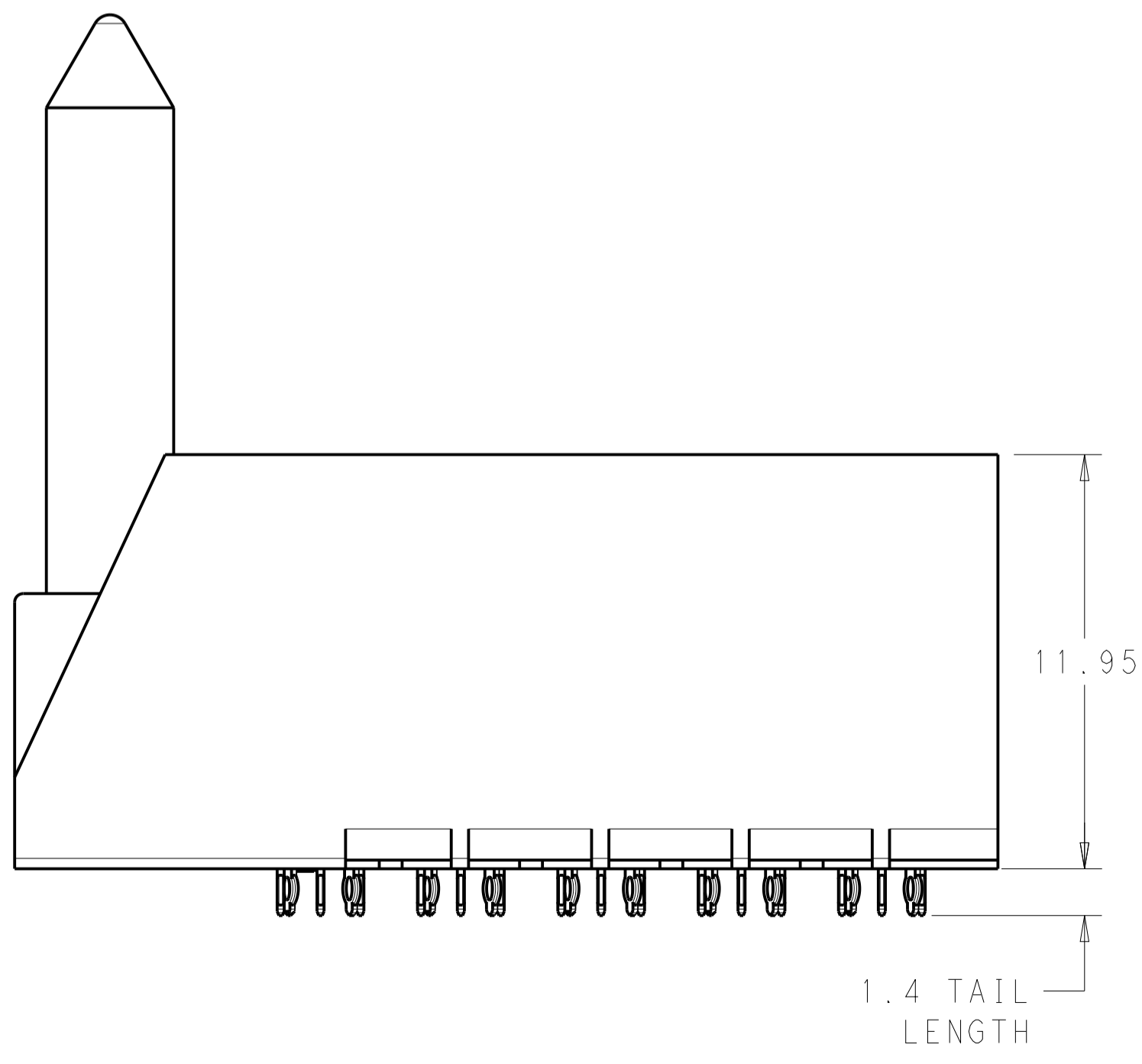
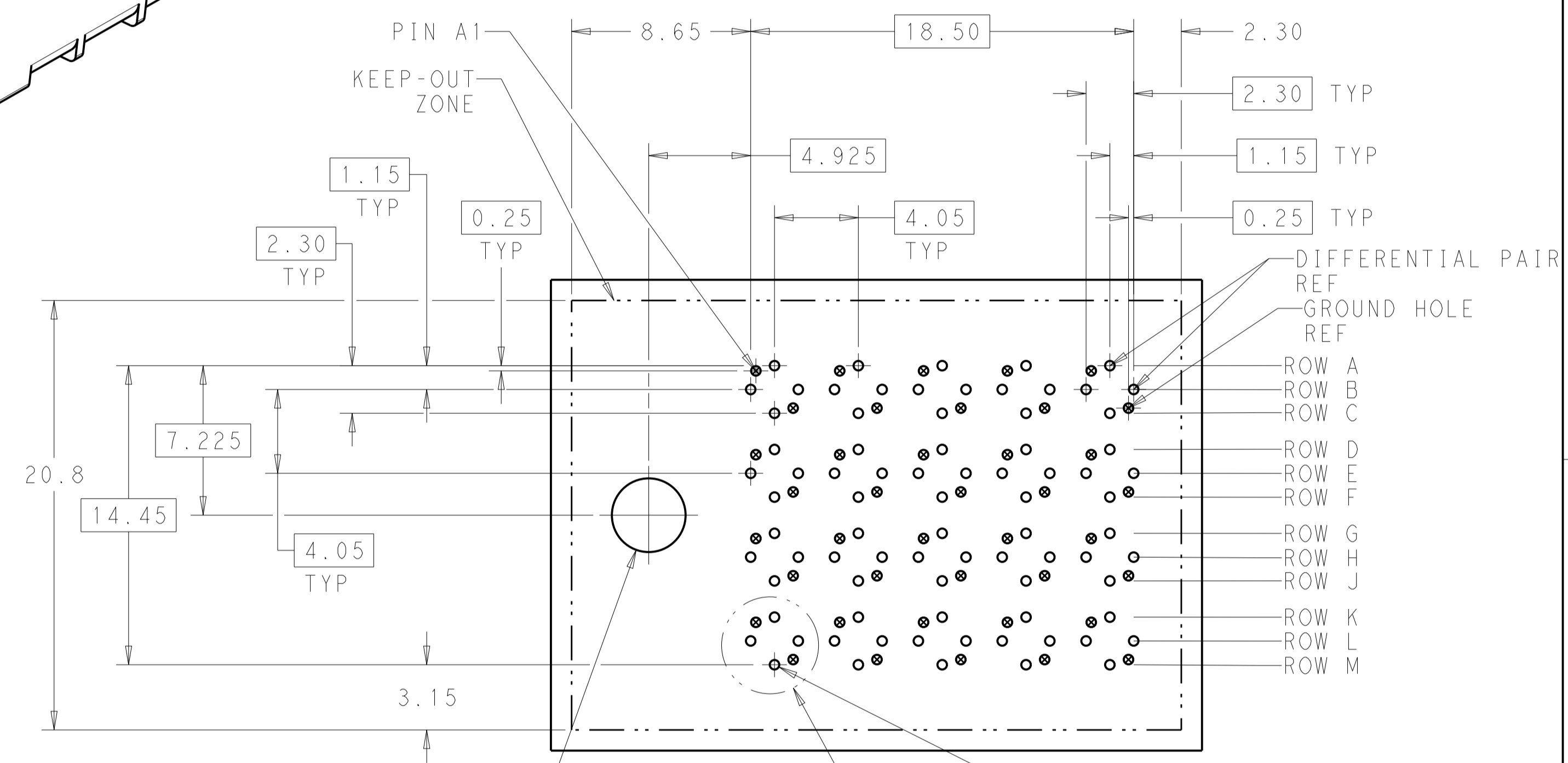
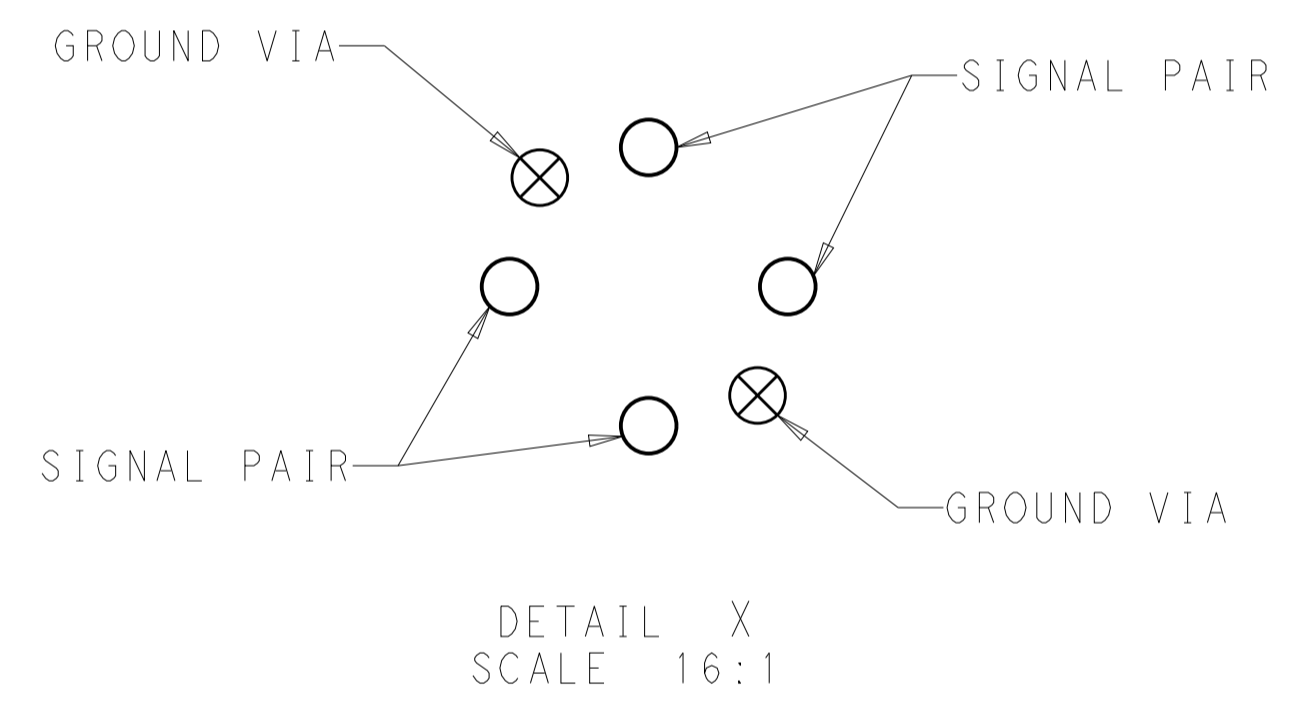


LOC	DIST	REVISIONS			
		REV	DATE	BY	APPV
AD	00	B	08SEP2014	AP	DD



- △ MATERIAL:
HOUSING: LCP, GLASS FILLED, UL94V-0.
TERMINALS: HIGH PERFORMANCE COPPER ALLOY.
- △ FINISH:
30μ" MIN GOLD IN CONTACT AREA. SELECTIVE TIN ON PCB TAILS, NICKEL OVERALL.
- 3. SCREWS PACKAGED IN END OF PACKAGING TUBE.
- △ FOR GROUNDED GUIDE PIN USE $\varnothing 3.56 \pm 0.08$ PTH, $\varnothing 3.66$ DRILL, AND $\varnothing 6.5$ PAD.



REFER TO WWW.TE.COM FOR PRODUCT AVAILABILITY

△	5.5	2132634-2
△	4.9	2132634-1
FINISH	DIM M	PART NUMBER

THIS DRAWING IS A CONTROLLED DOCUMENT.

OWN: KIRAN HOLAL 16APR2013
CHK: D. DIXON 16APR2013
APPV: D. DIXON 16APR2013

TE Connectivity

NAME: IMPACT, ORTHOGONAL, 4 PAIR, 10 COLUMN HEADER, LEFT GUIDED, RIGHT END WALL SIGNAL MODULE, 0.46 PTH

SIZE: A100779
CAGE CODE: 2132634
DRAWING NO: 2132634

Customer Drawing

SCALE: 6:1 SHEET 1 OF 1 REV B