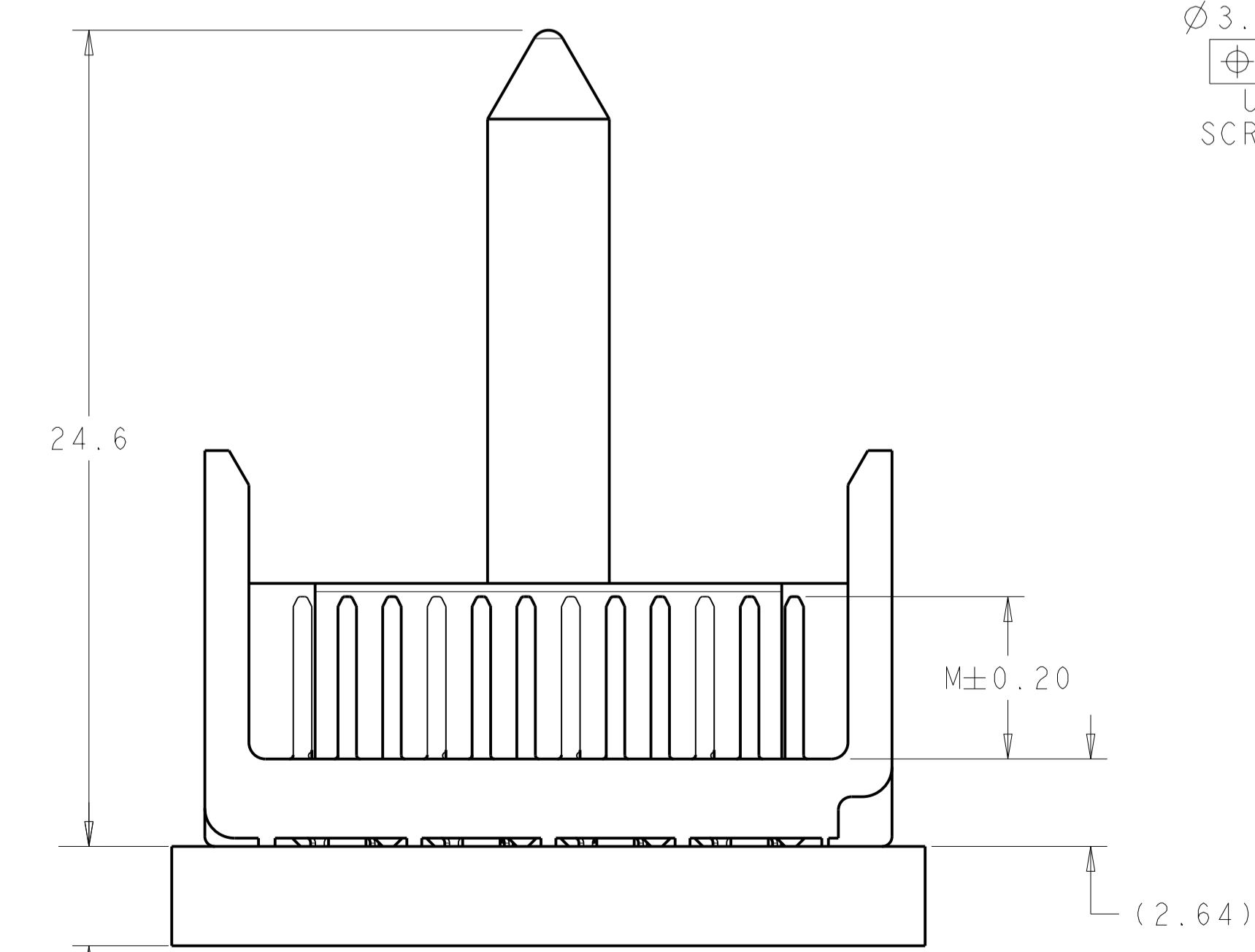
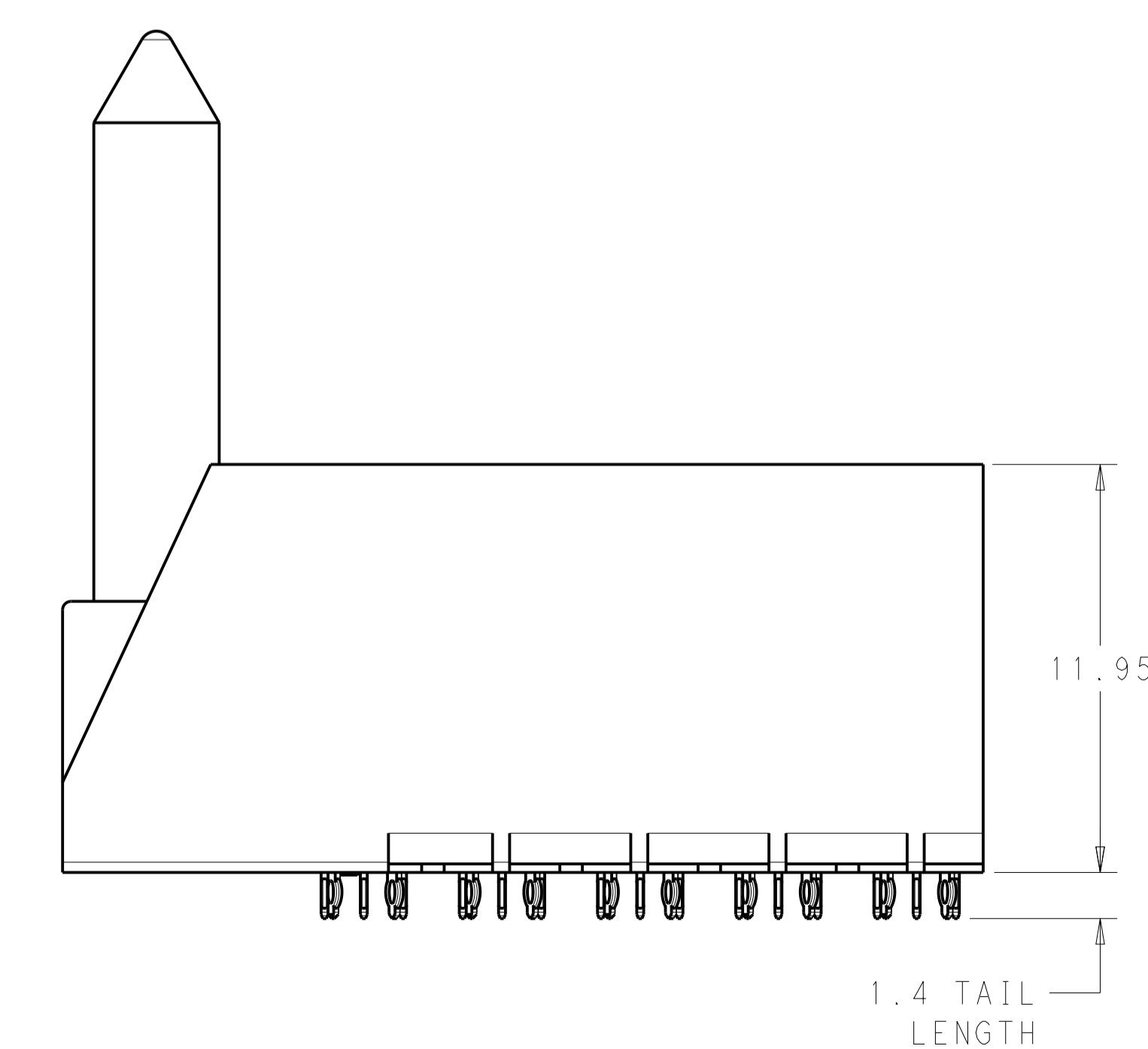
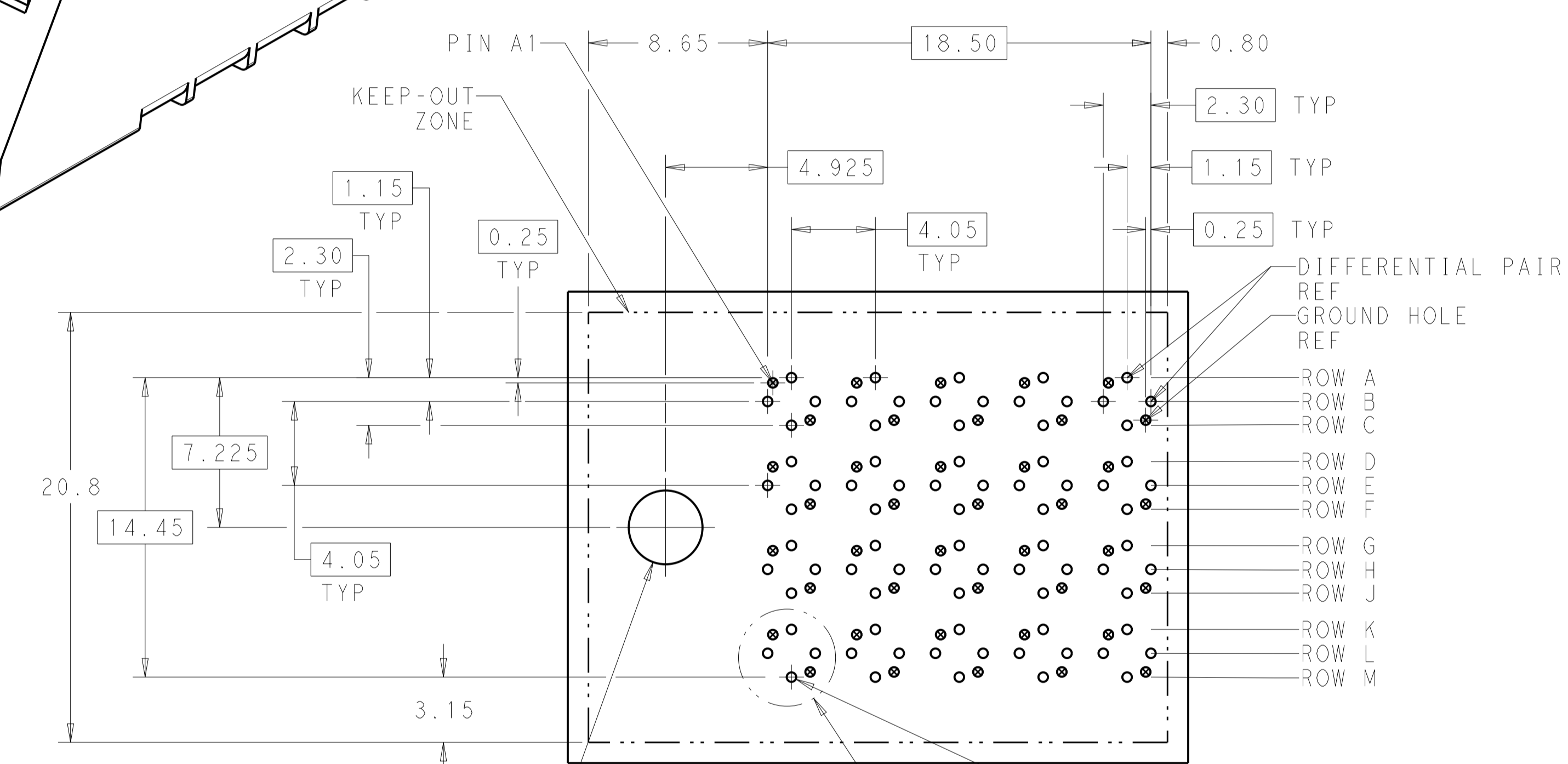
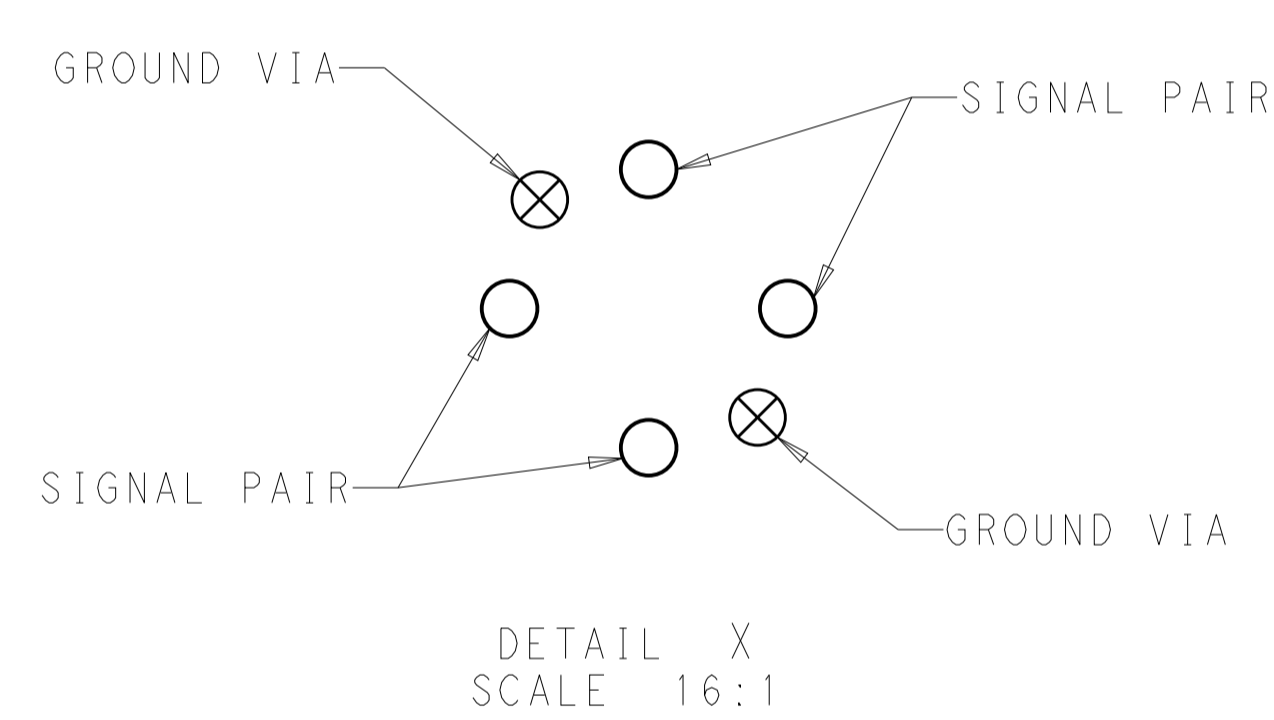
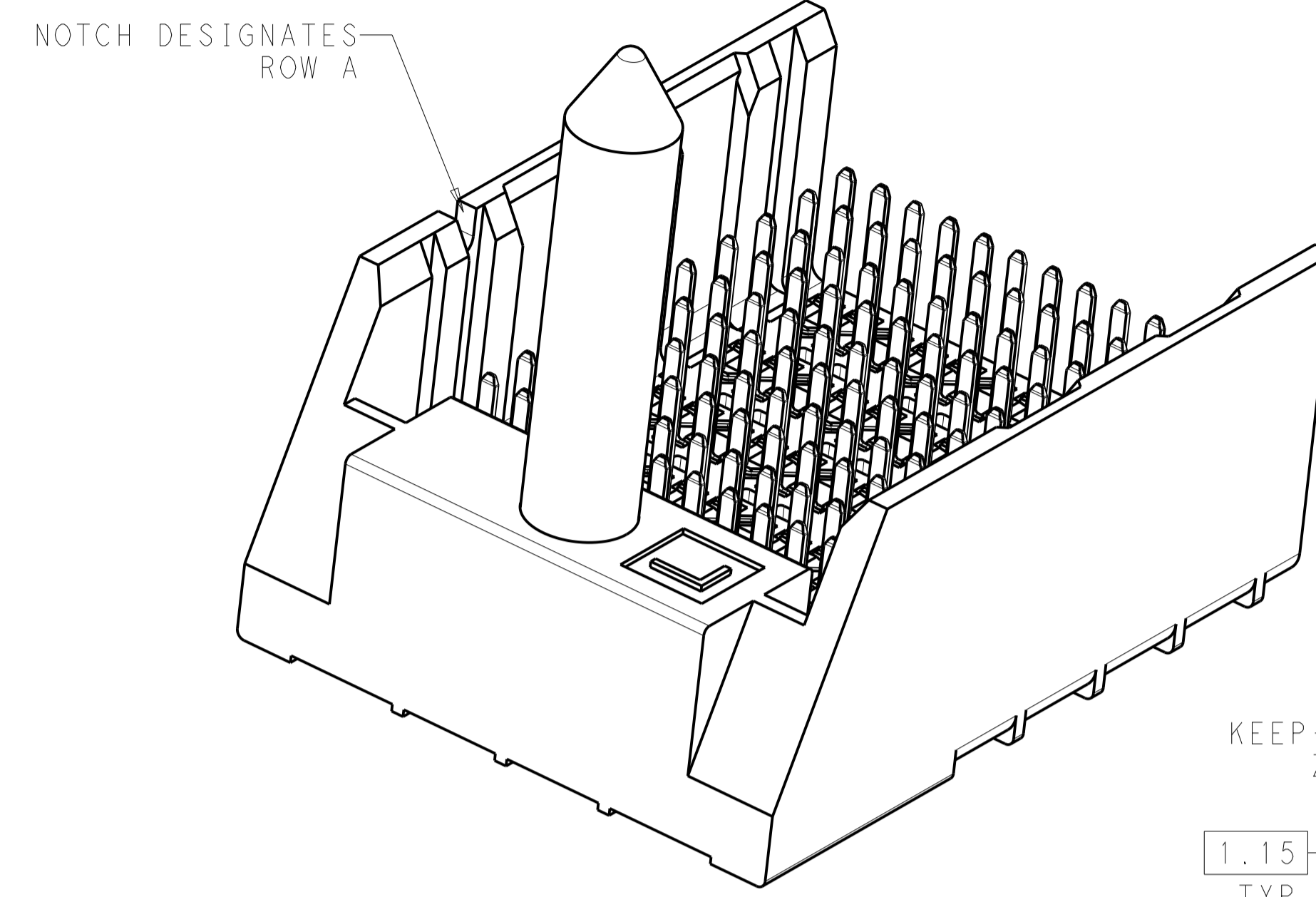
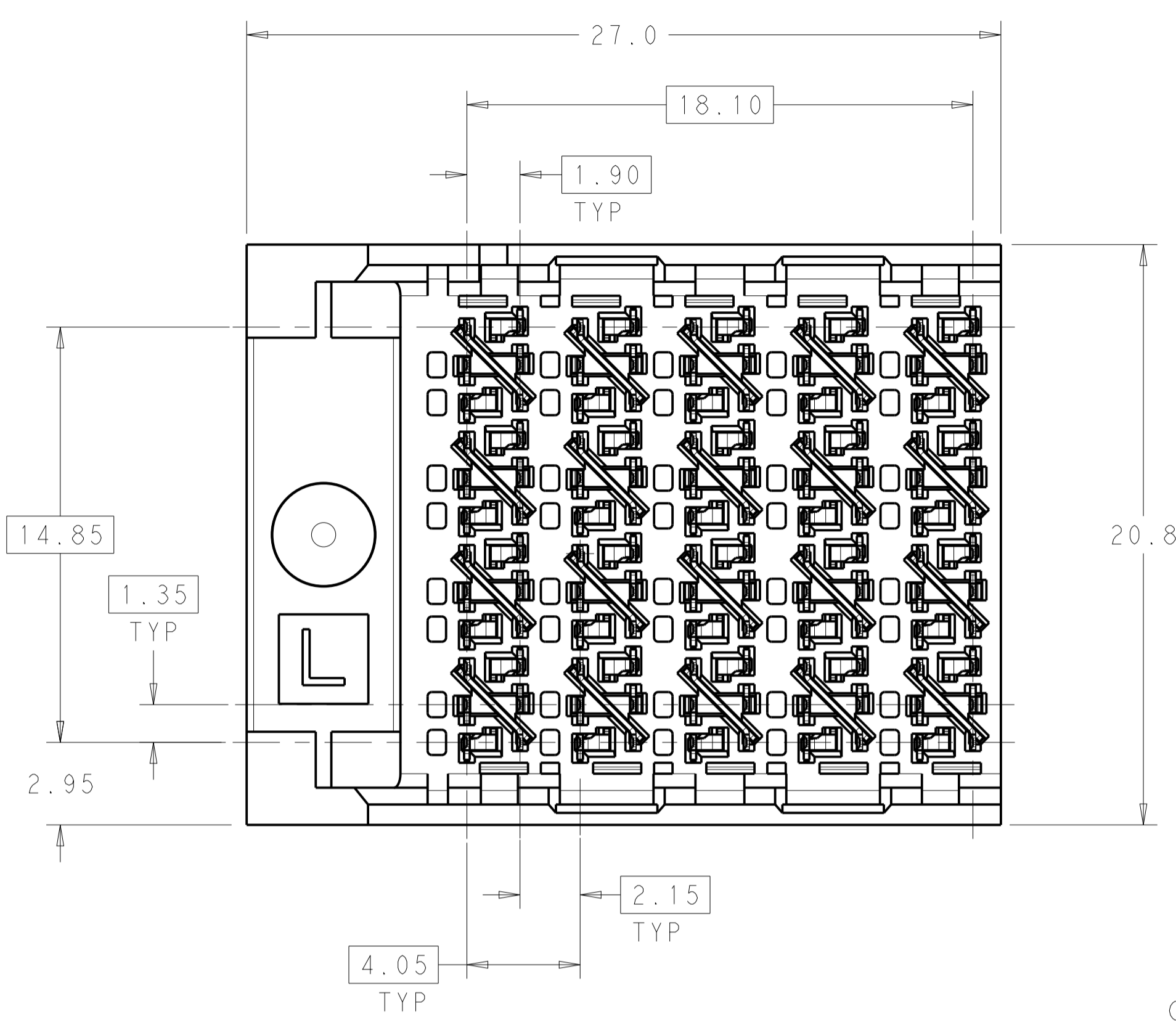


LOC	DIST	REV	DATE	BY	APPV
AD	00	B	08SEP2014	AP	DD

- △ MATERIAL:
HOUSING: LCP, GLASS FILLED, UL94V-0.
TERMINALS: HIGH PERFORMANCE COPPER ALLOY.
- △ FINISH:
30µ" MIN GOLD IN CONTACT AREA. SELECTIVE TIN ON PCB TAILS, NICKEL OVERALL.
- 3. SCREWS PACKAGED IN END OF PACKAGING TUBE.
- △ FOR GROUNDED GUIDE PIN USE $\varnothing 3.56 \pm 0.08$ PTH, $\varnothing 3.66$ DRILL, AND $\varnothing 6.5$ PAD.



3.00 MINIMUM BOARD THICKNESS

REFER TO WWW.TE.COM FOR PRODUCT AVAILABILITY

FINISH	DIM M	PART NUMBER
△	5.5	2132633-2
△	4.9	2132633-1

THIS DRAWING IS A CONTROLLED DOCUMENT.		OWN: KIRAN HOLAL 15APR2013	TE Connectivity
DIMENSIONS: mm		CHK: D. DIXON 15APR2013	
TOLERANCES UNLESS OTHERWISE SPECIFIED:		APPV: D. DIXON 15APR2013	NAME: IMPACT, ORTHOGONAL, 4 PAIR, 10 COLUMN HEADER, LEFT GUIDED, OPEN END WALL SIGNAL MODULE, 0.46 PTH SIZE: CAGE CODE DRAWING NO: A100779 ©=2132633 WEIGHT: - MATERIAL: △ SEE TABLE
0 PLC ± 1 PLC ±0.25 2 PLC ±0.13 3 PLC ± 4 PLC ± ANGLES ±		PRODUCT SPEC: APPLICATION SPEC: FINISH: SEE TABLE	
Customer Drawing		SCALE: 6:1	RESTRICTED TO SHEET 1 OF 1 REV B