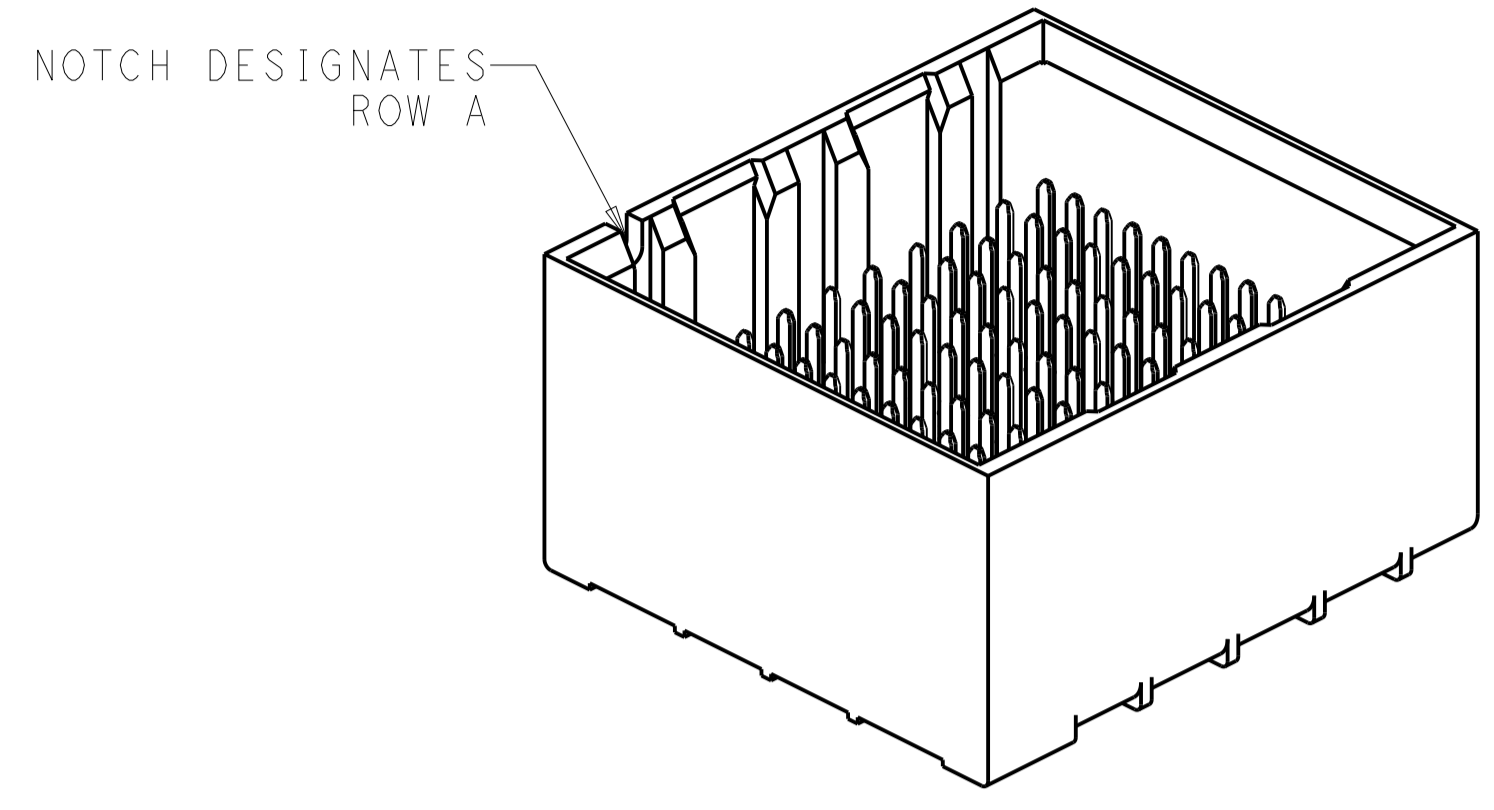
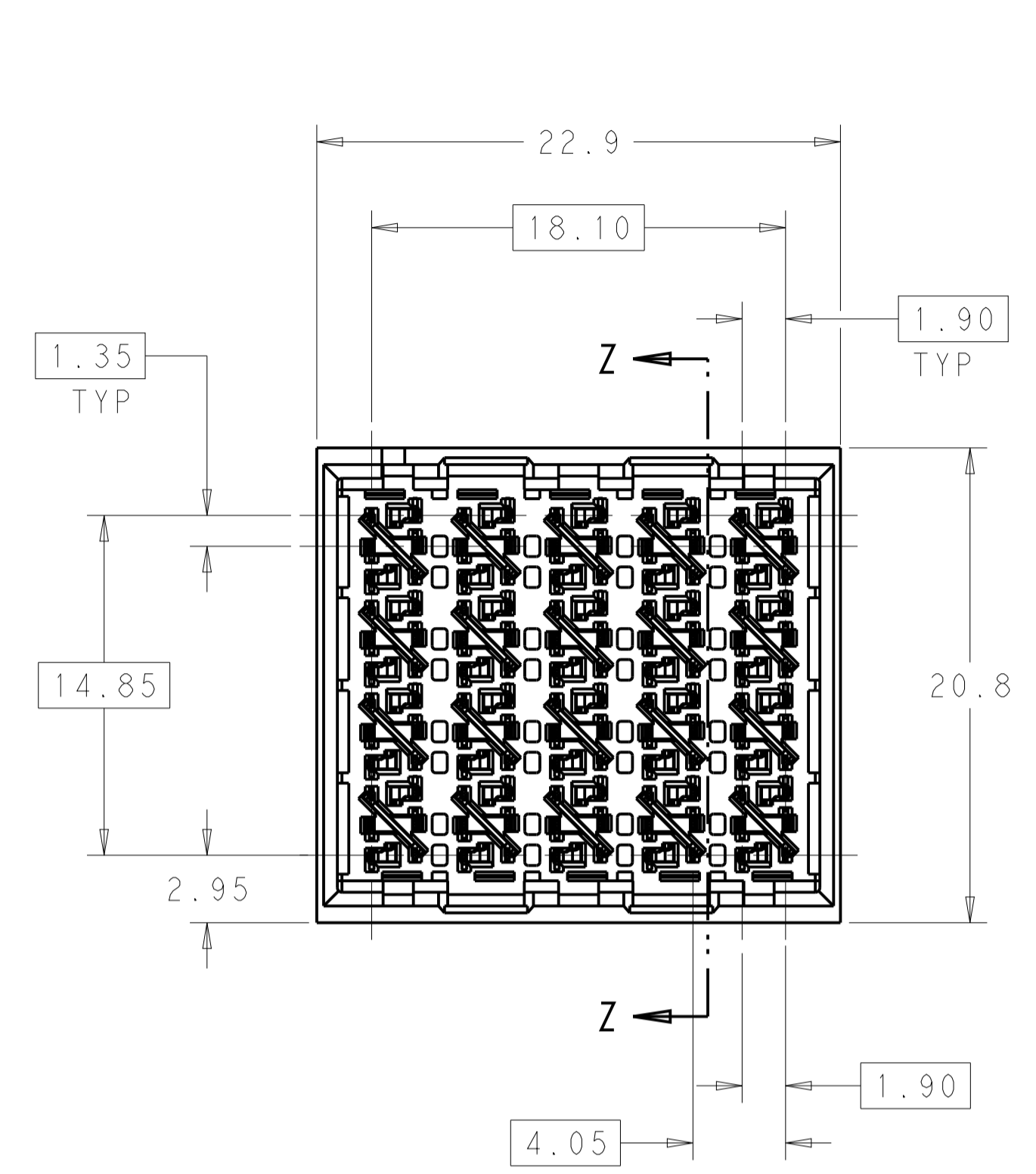
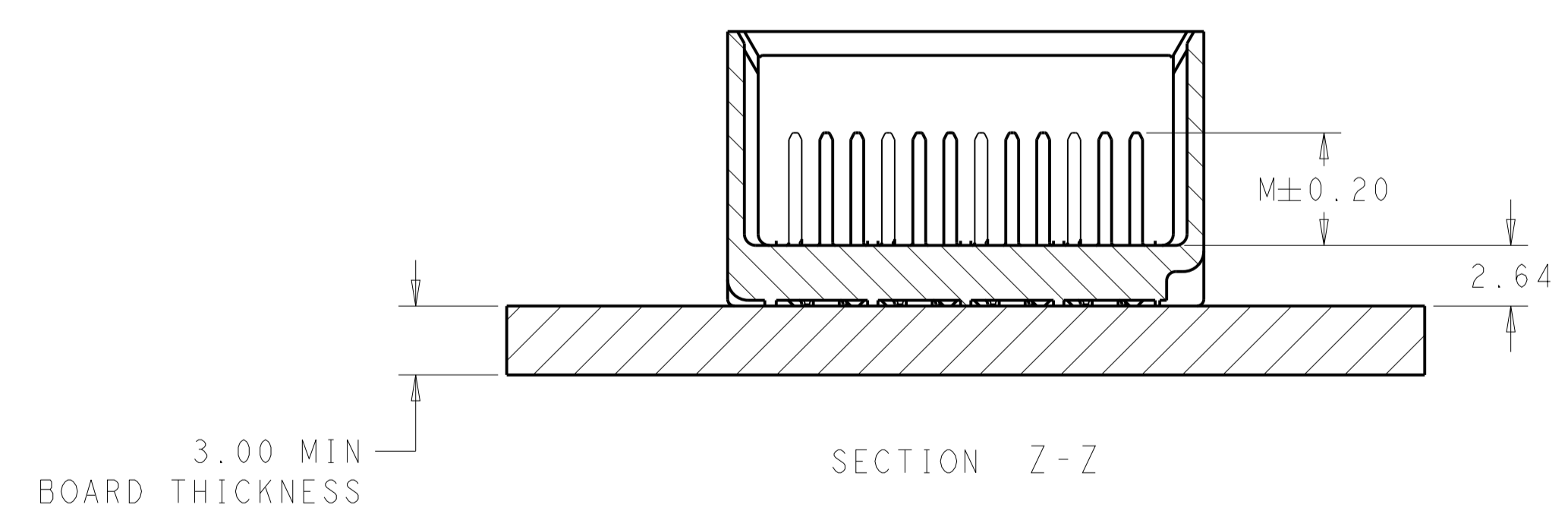
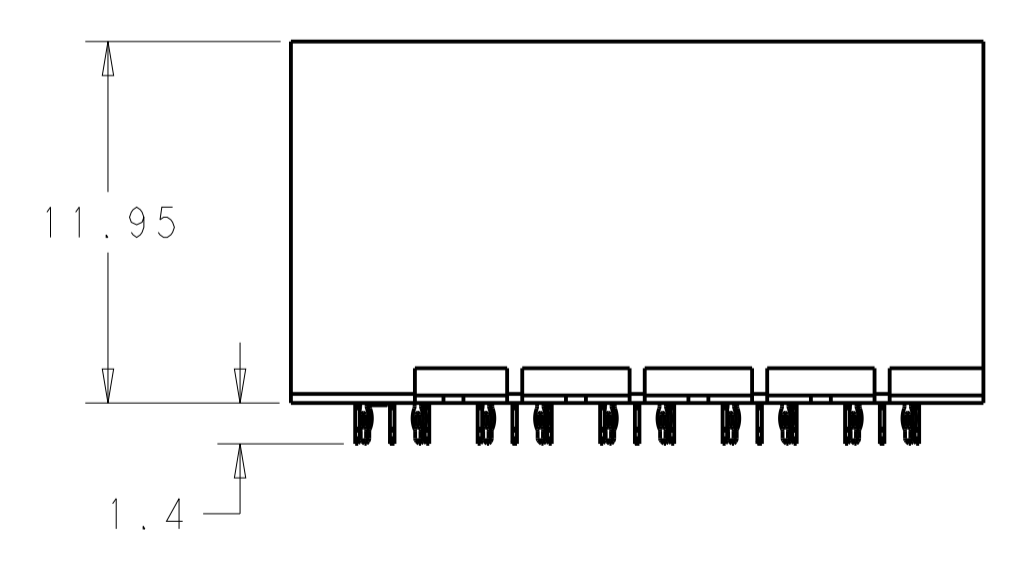
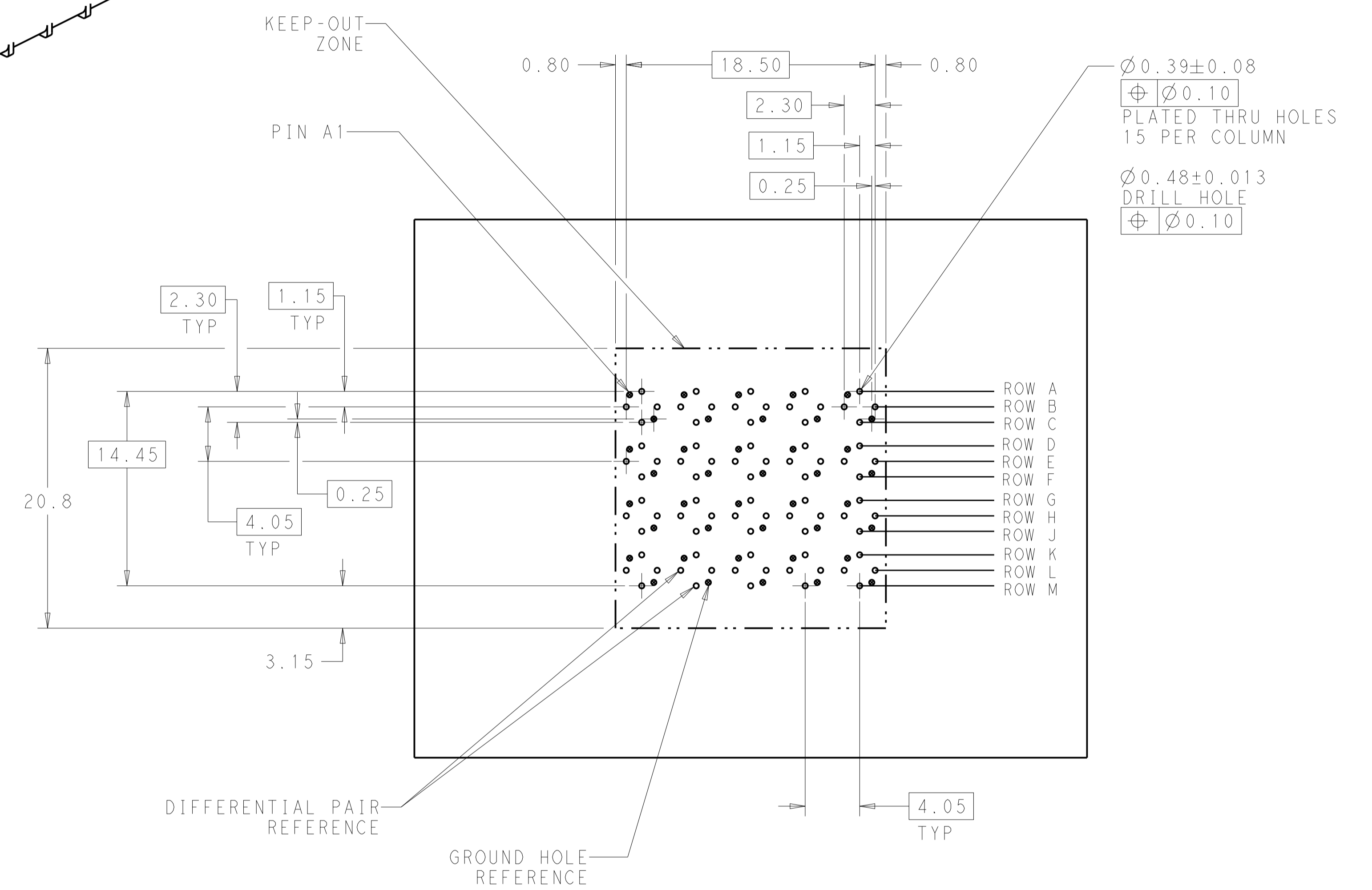


REVISIONS				
P.	LTN	DESCRIPTION	DATE	APVD
C		REVISED PER ECO-14-013271	08SEP2014	AP DD



**MATERIAL:**  
 HOUSING: LCP GLASS FILLED UL94V-0  
 TERMINALS: HIGH PERFORMANCE COPPER ALLOY

**FINISH:**  
 30μ" MIN GOLD IN CONTACT AREA  
 SELECTIVE TIN ON PCB TAILS.  
 NICKEL OVERALL.



FINISH	5.5	2132631-2
DIM M	4.9	2132631-1
PART NUMBER		

THIS DRAWING IS A CONTROLLED DOCUMENT.

DIMENSIONS: mm

TOLERANCES UNLESS OTHERWISE SPECIFIED:

0 PLC	±
1 PLC	±0.25
2 PLC	±0.13
3 PLC	±
4 PLC	±
ANGLES	±0

MATERIAL: SEE TABLE

FINISH: SEE TABLE

APPROVED: J. EARY 13SEP2010

NAME: IMPACT, ORTHOGONAL, 4 PAIR 10 COLUMN UNGUIDED DUAL END WALL, HEADER ASSEMBLY, 0.39 PTH

SIZE: A1 00779 C=2132631

SCALE: 4:1 SHEET 1 OF 1 REV C