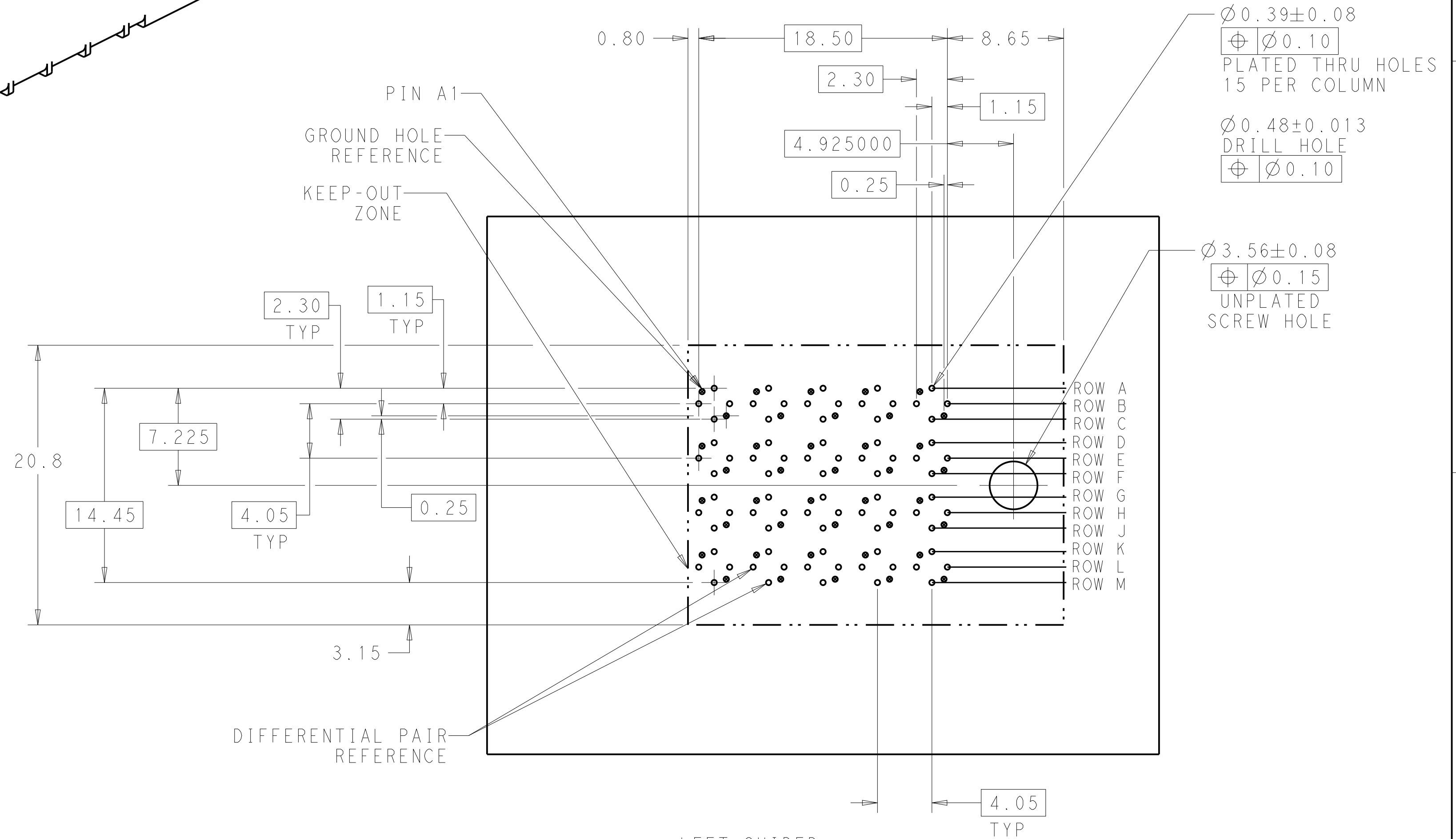
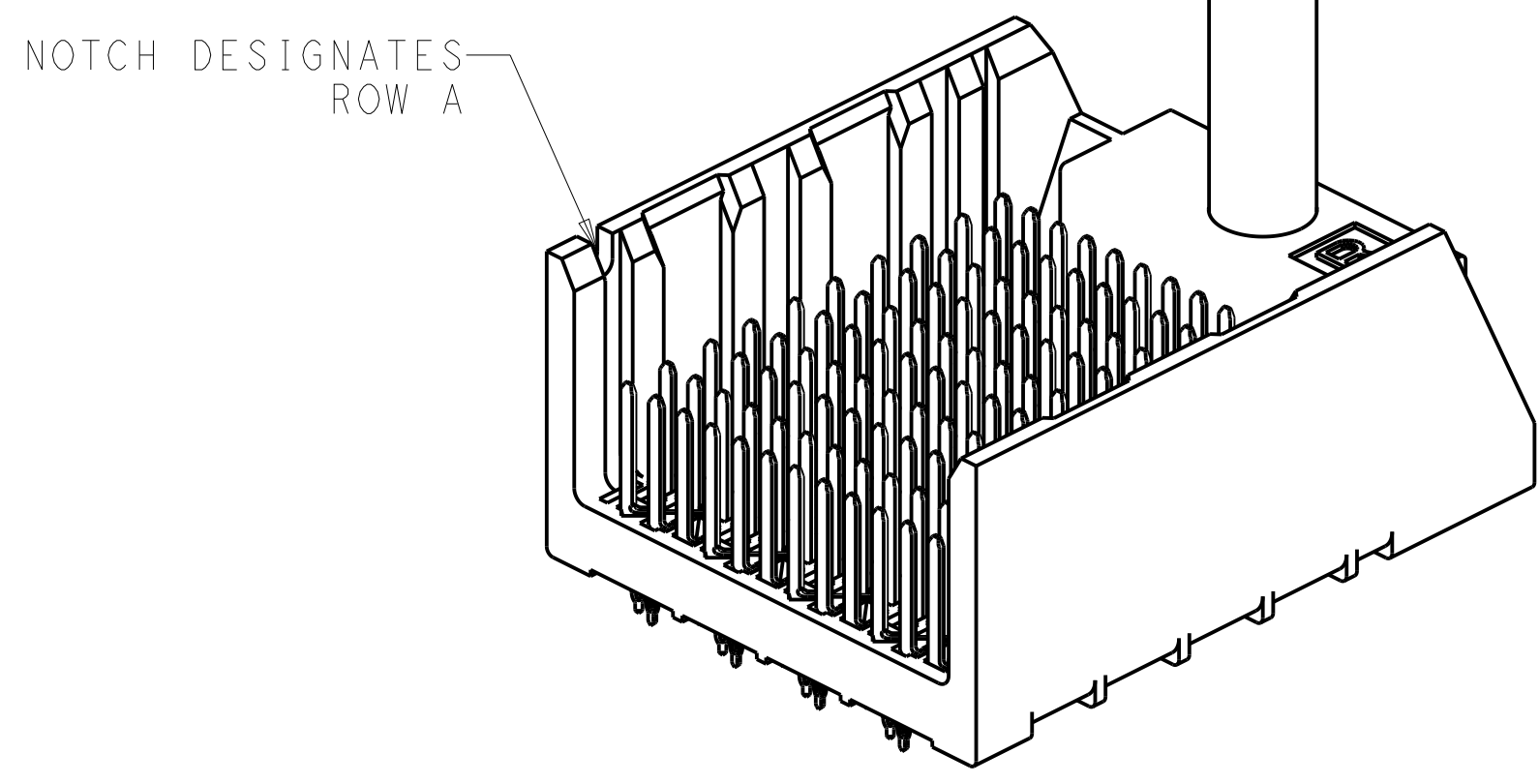
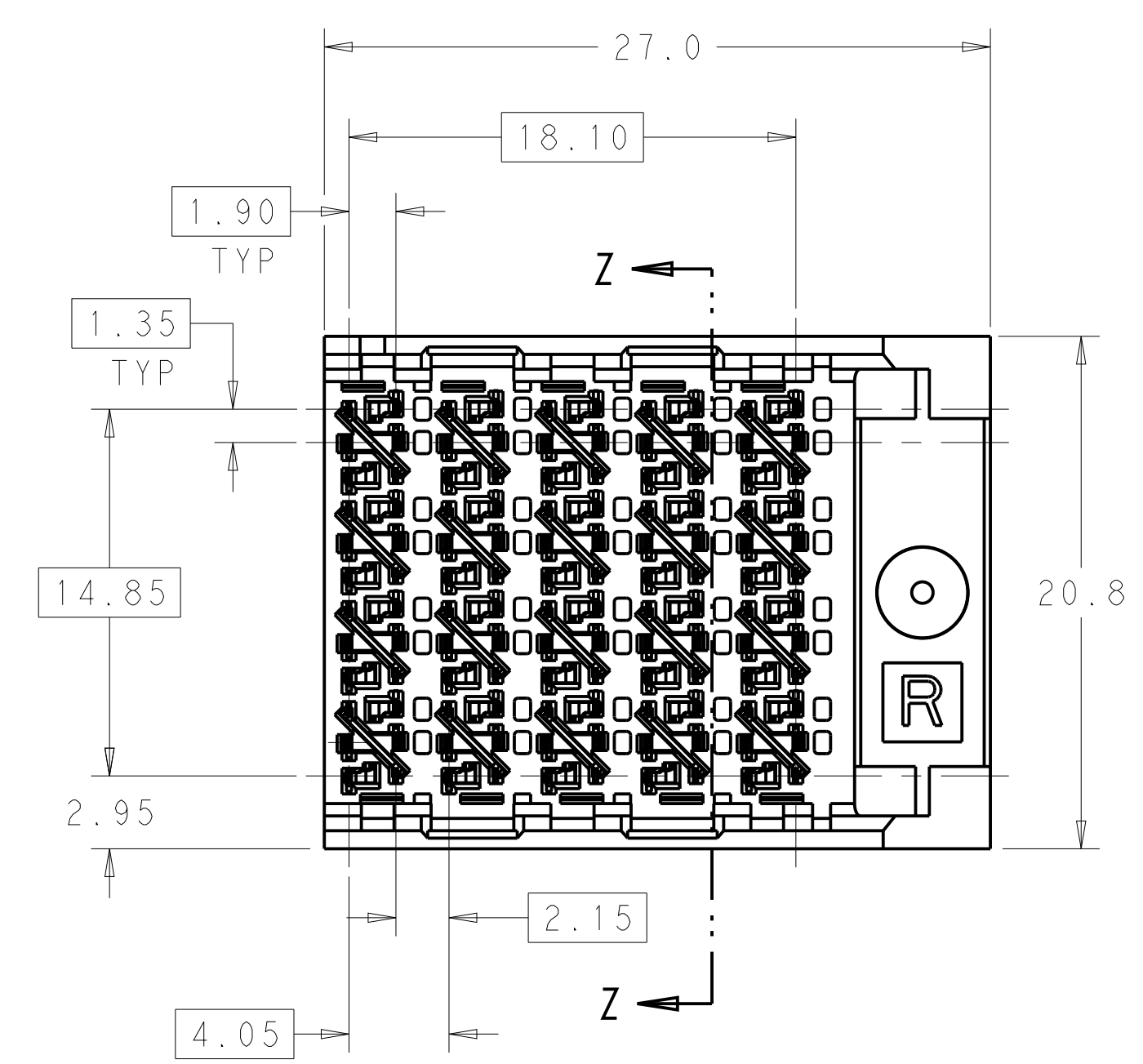


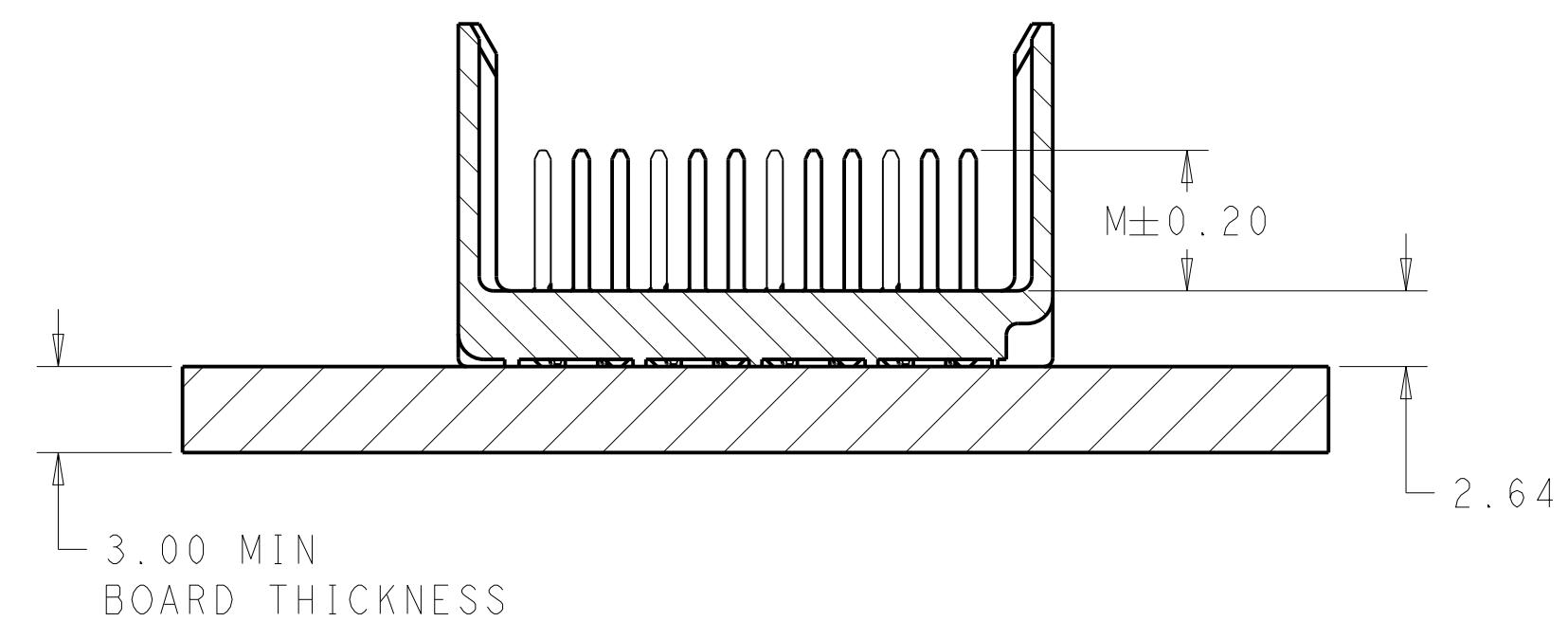
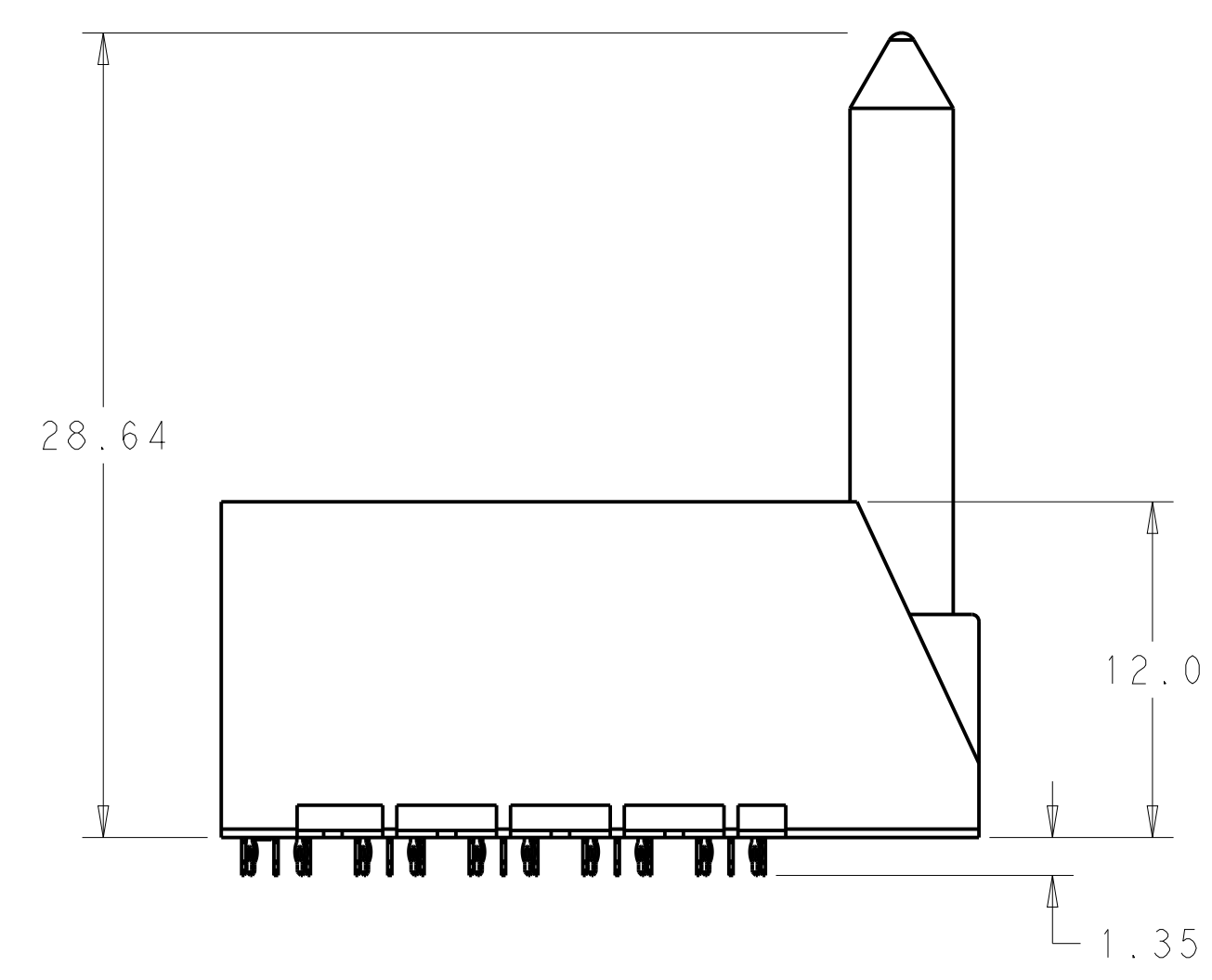
REVISIONS				
P.	LTN	DESCRIPTION	DATE	APVD
C		REVISED PER ECO-14-013271	08SEP2014	AP DD

1 MATERIAL:  
 HOUSING: LCP GLASS FILLED UL94V-0  
 TERMINALS: HIGH PERFORMANCE COPPER ALLOY

2 FINISH:  
 30µ" MIN GOLD IN CONTACT AREA  
 SELECTIVE TIN ON PCB TAILS.  
 NICKEL OVERALL.



LEFT GUIDED  
 BACKPLANE HOLE PATTERN  
 (CONNECTOR SIDE)  
 SCALE 4:1



SECTION Z-Z

FINISH	5.5	2132627-2
	4.9	2132627-1
FINISH	DIM M	PART NUMBER

THIS DRAWING IS A CONTROLLED DOCUMENT.		DWN J. K. SHOBER 18AUG2010	NAME	
DIMENSIONS:		CHK J. EARY 18AUG2010	IMPACT, ORTHOGONAL, 4 PAIR 10 COLUMN	
TOLERANCES UNLESS OTHERWISE SPECIFIED:		APVD J. EARY 18AUG2010	RIGHT GUIDE OPEN END WALL,	
mm	0 PLC ±	PRODUCT SPEC	HEADER ASSEMBLY, 0.39 PTH	
	1 PLC ±0.25	APPLICATION SPEC	SIZE	CAGE CODE DRAWING NO
	2 PLC ±0.13		A1	00779C=2132627
	3 PLC ±	WEIGHT	SCALE	4:1
	4 PLC ±	CUSTOMER DRAWING	SHEET	1 OF 1
	ANGLES ±0		REV	C