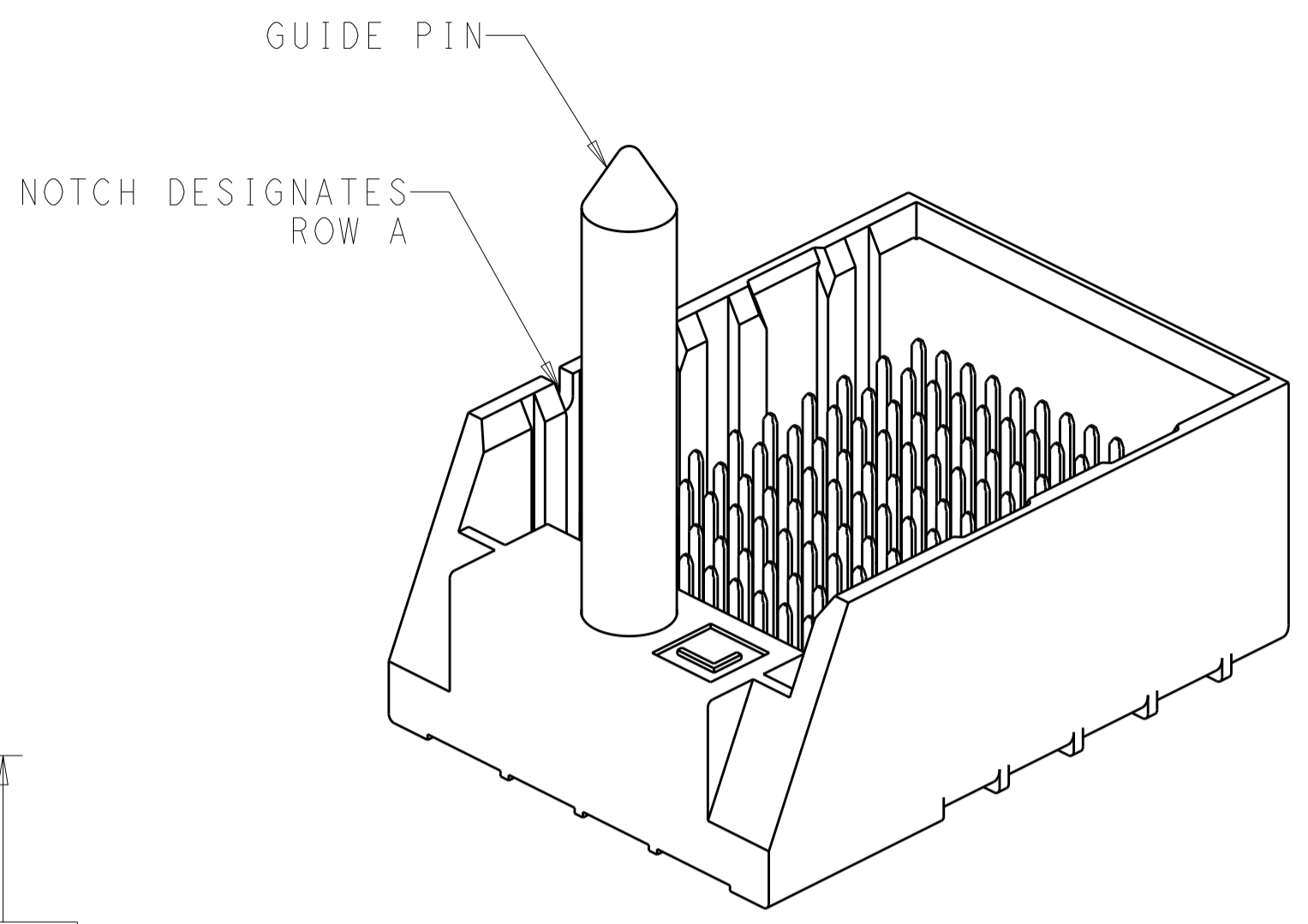
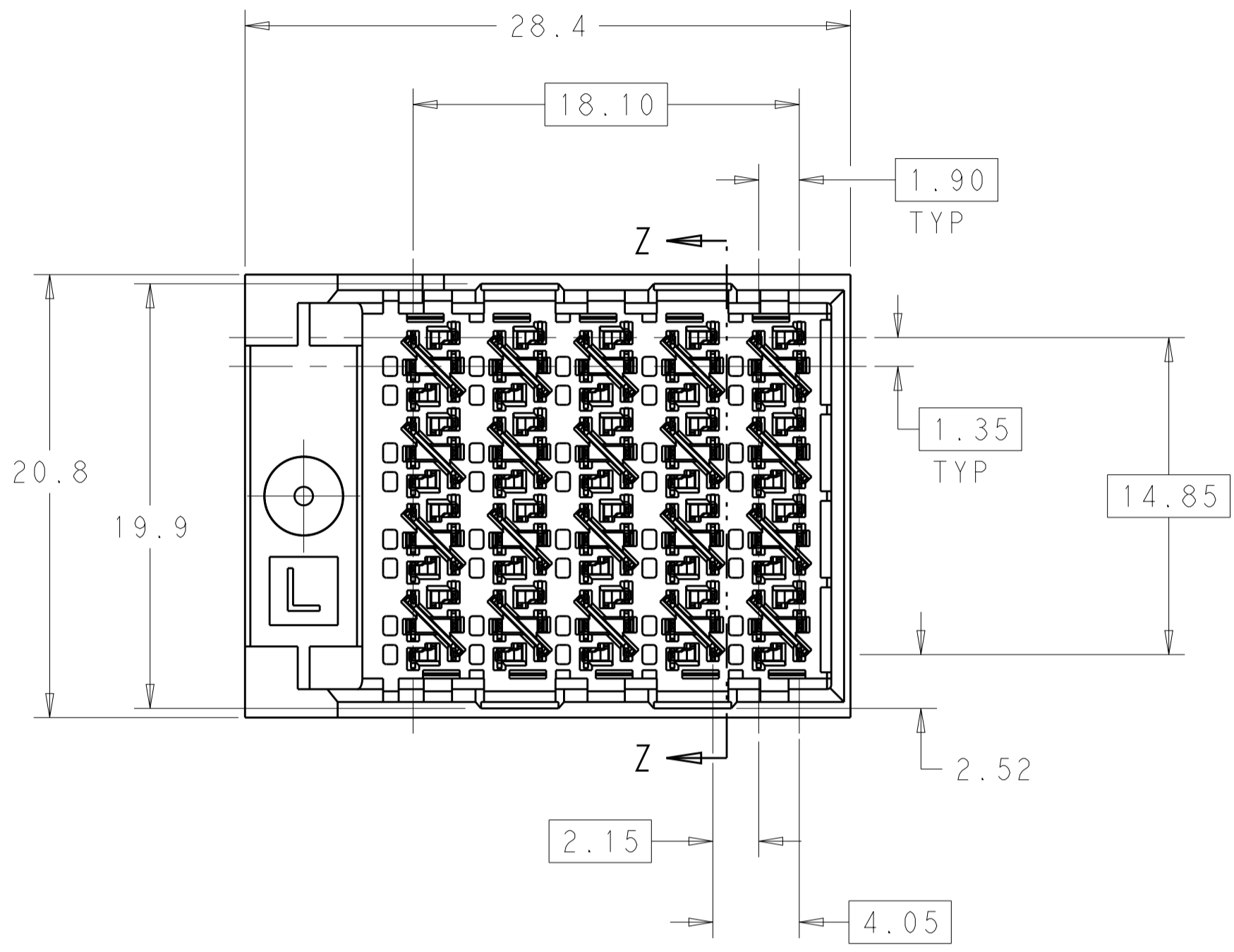
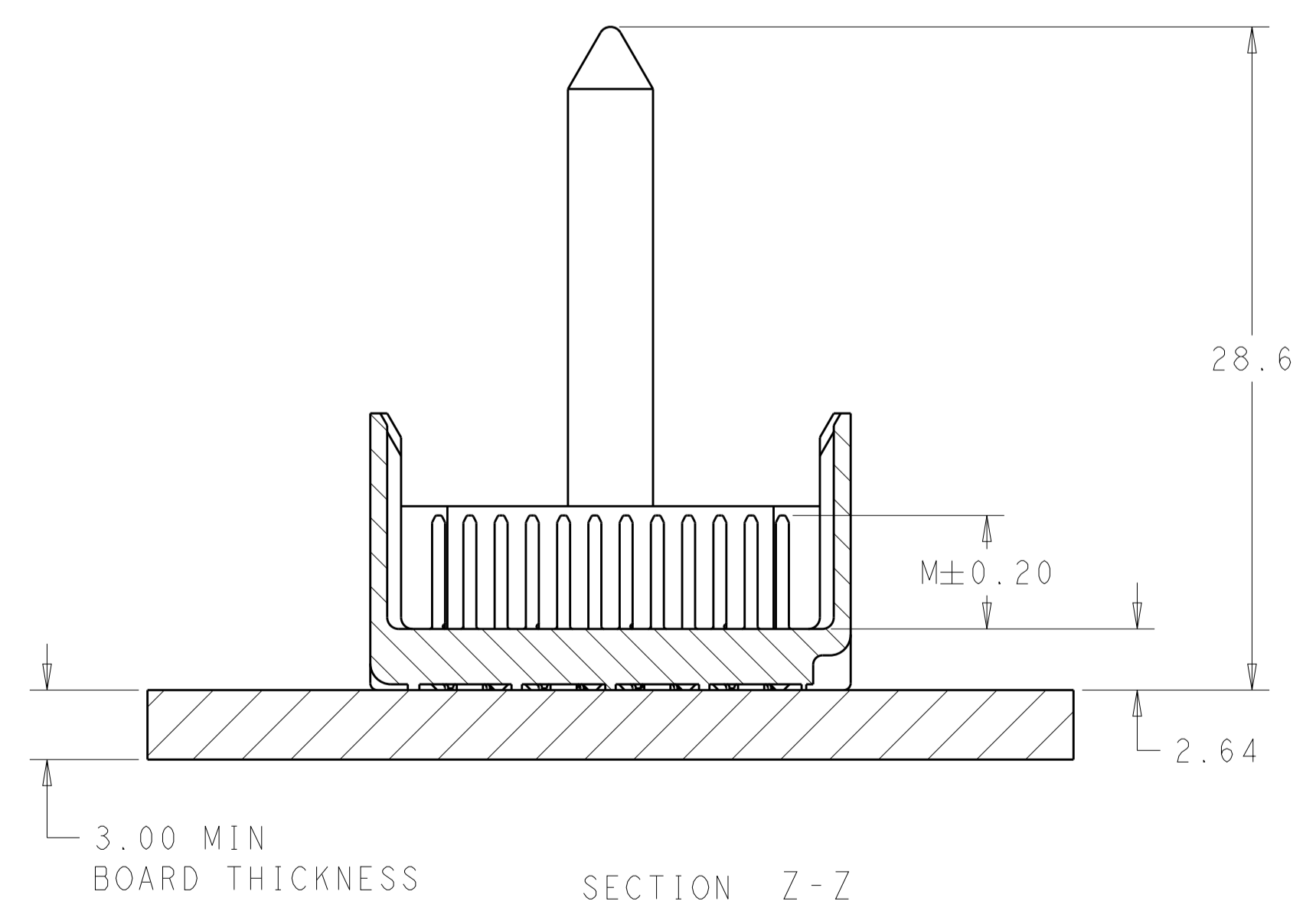
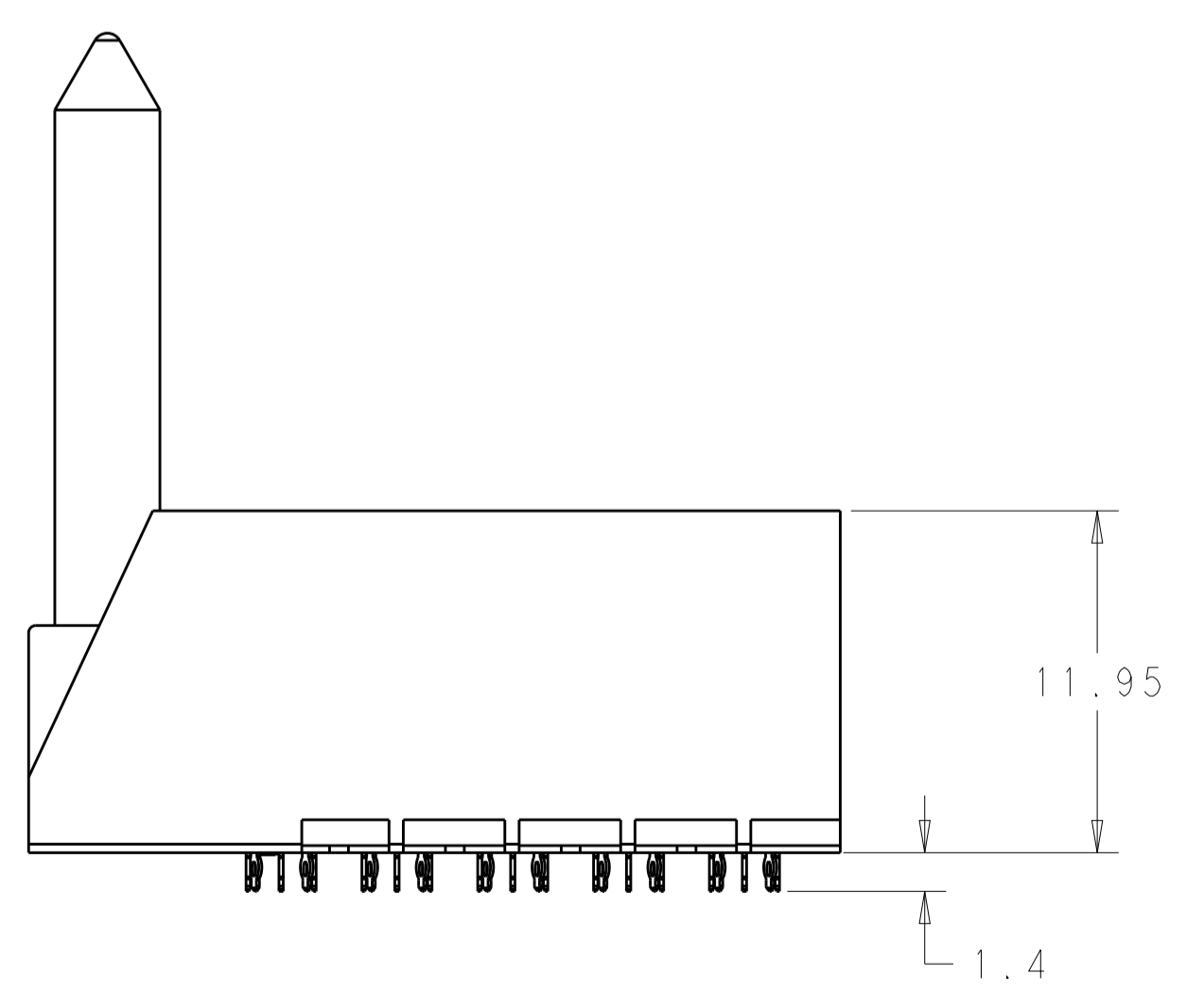
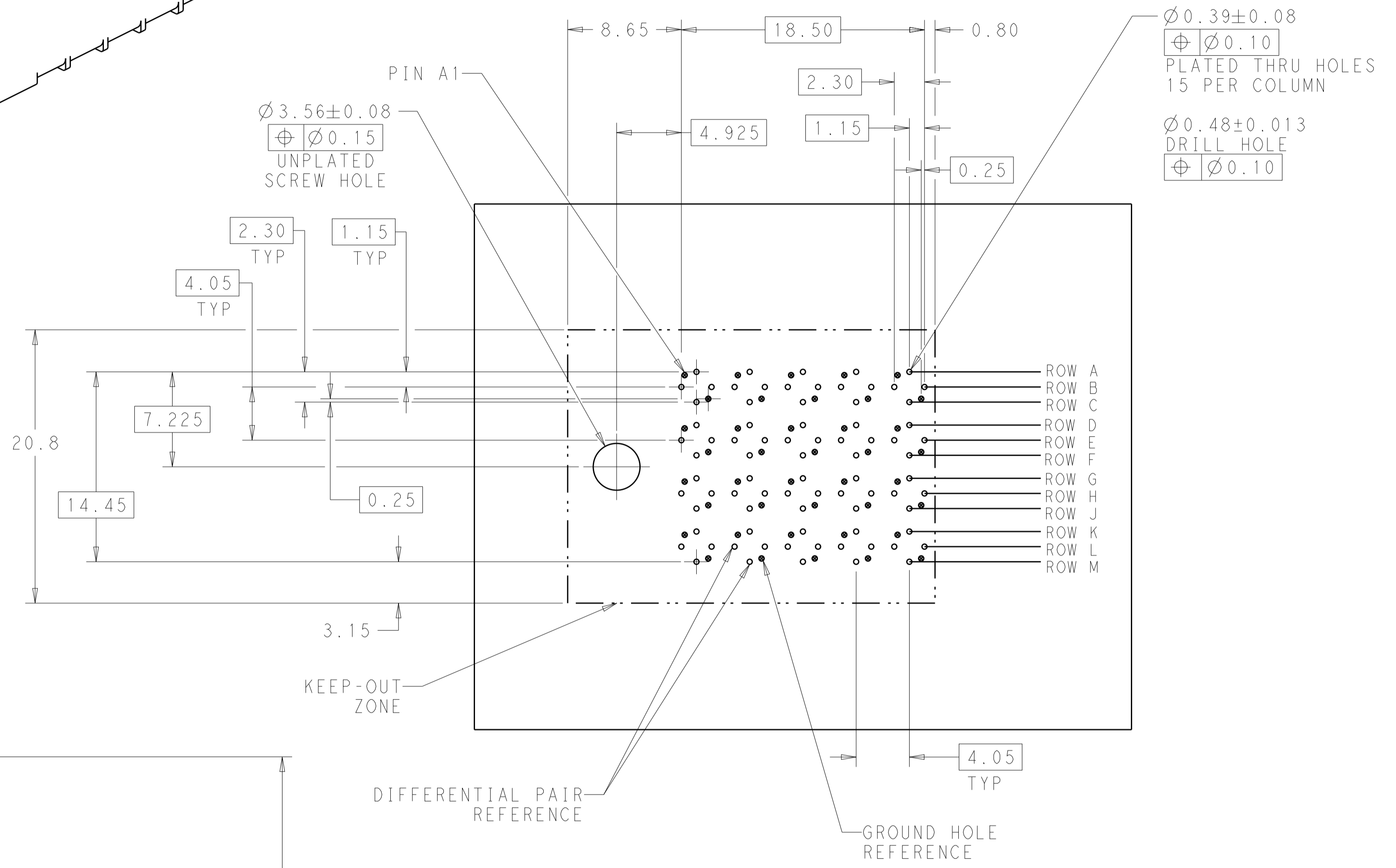


REVISIONS				
P.	LTN.	DESCRIPTION	DATE	APVD.
C		REVISED PER ECO-14-013271	08SEP2014	AP DD



MATERIAL:
HOUSING: LCP GLASS FILLED UL94V-0
TERMINALS: HIGH PERFORMANCE COPPER ALLOY

FINISH:
30 μm MIN GOLD IN CONTACT AREA
SELECTIVE TIN ON PCB TAILS.
NICKEL OVERALL.



LEFT GUIDED BACKPLANE HOLE PATTERN (CONNECTOR SIDE) SCALE 4:1

FINISH	5.5	2132626-2
DIM M	4.9	2132626-1
PART NUMBER		

THIS DRAWING IS A CONTROLLED DOCUMENT.		OWN J. K. SHOBER 14SEPT2010	NAME
DIMENSIONS: mm		CHK J. EARY 14SEPT2010	IMPACT, ORTHOGONAL, 4 PAIR 10 COLUMN LEFT GUIDE RIGHT END WALL, HEADER ASSEMBLY, 0.39 PTH
TOLERANCES UNLESS OTHERWISE SPECIFIED:		APVD J. EARY 14SEPT2010	PRODUCT SPEC
0 PLC	±		APPLICATION SPEC
1 PLC	±0.25		SIZE CAGE CODE DRAWING NO
2 PLC	±0.13		RESTRICTED TO
3 PLC	±		A100779C=2132626
4 PLC	±		SCALE 4:1 SHEET 1 OF 1 REV C
ANGLES	±0		
MATERIAL	SEE TABLE	WEIGHT	CUSTOMER DRAWING