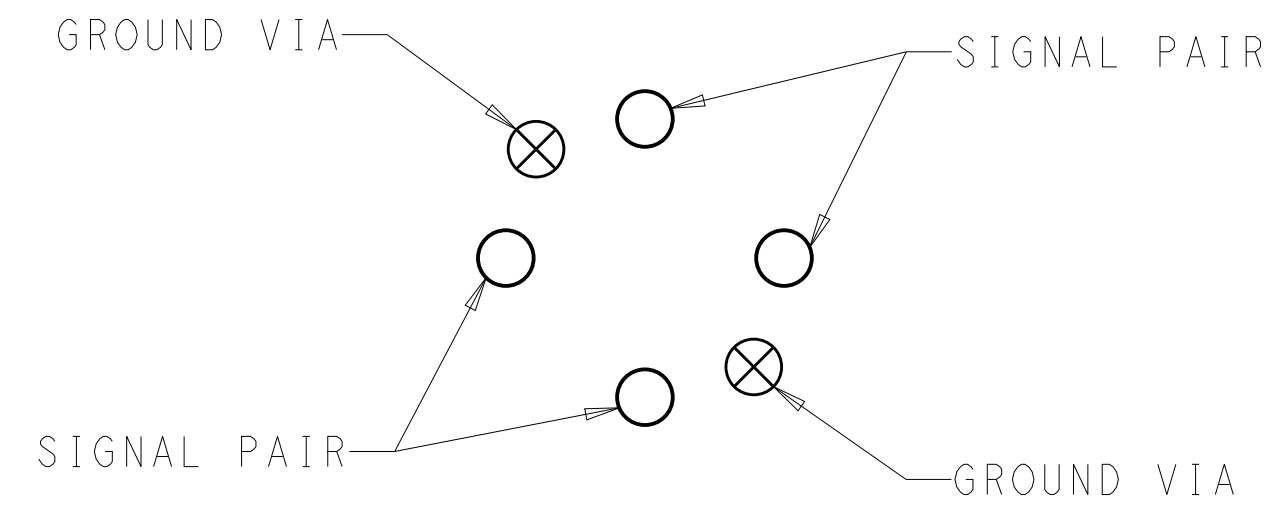
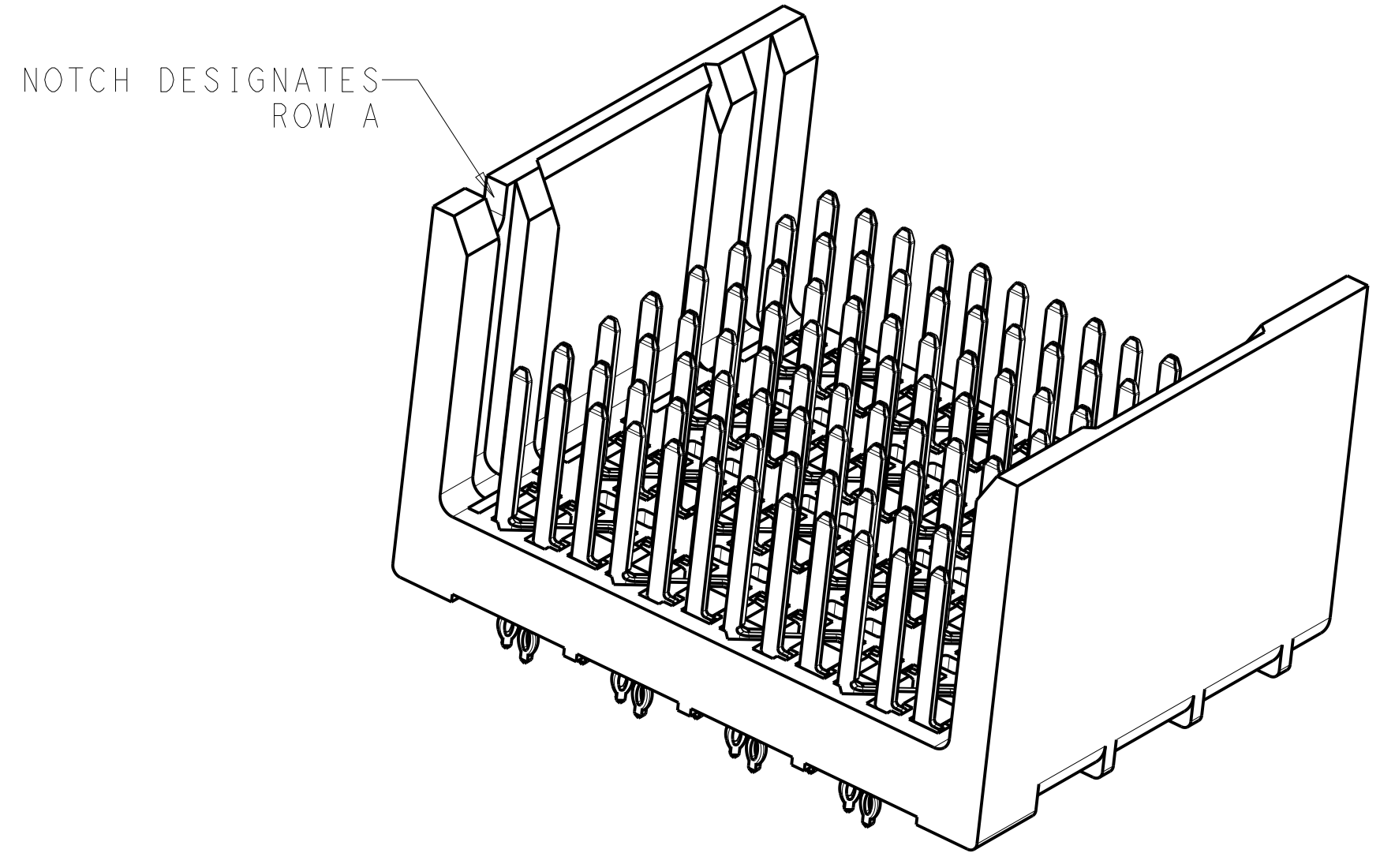
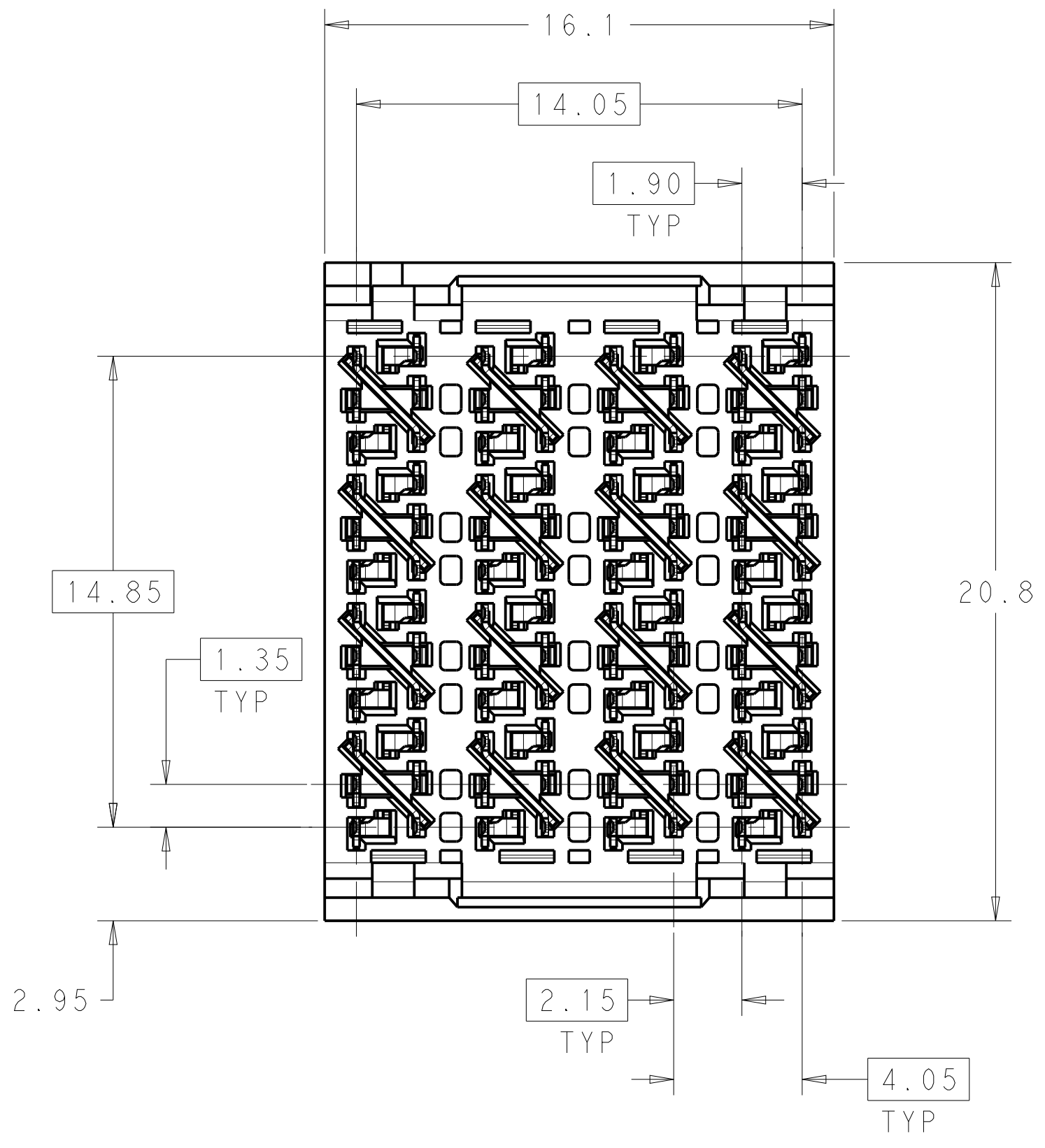
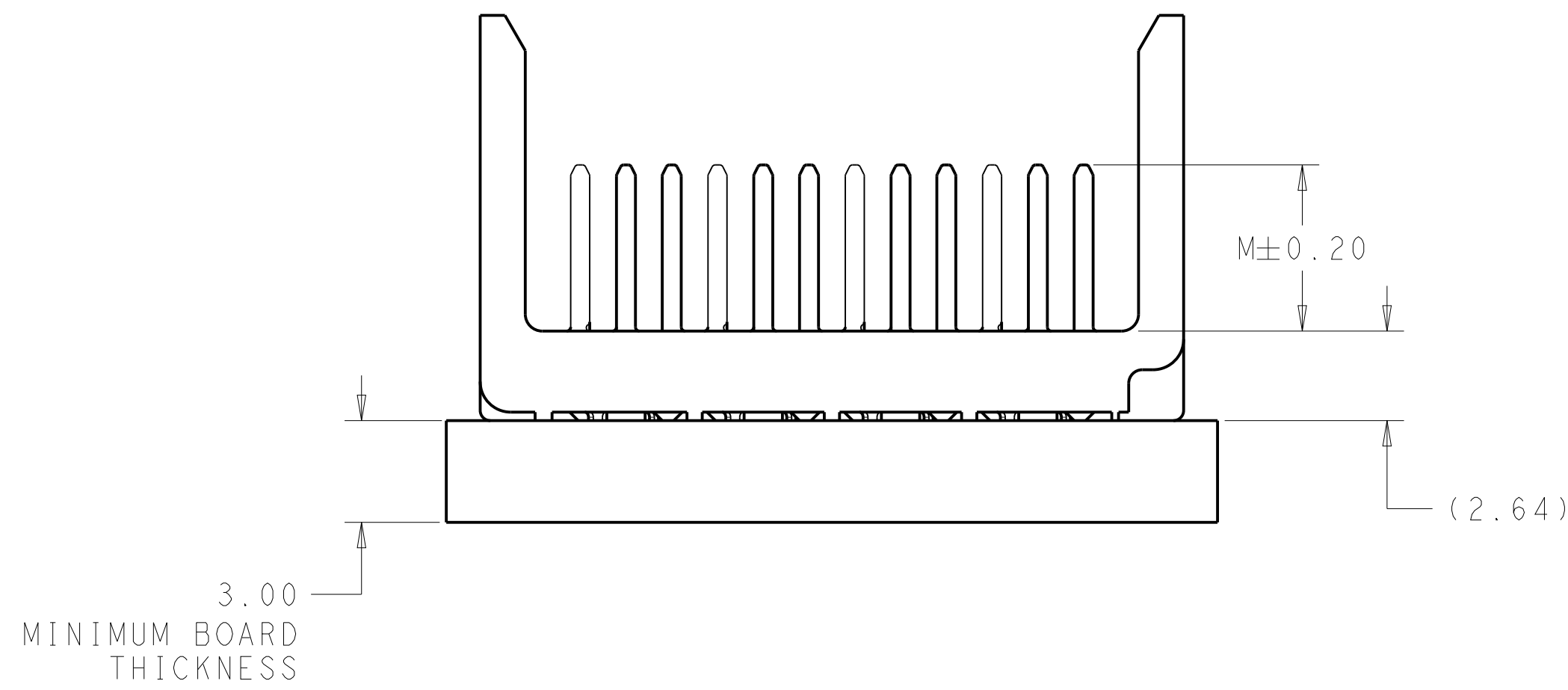
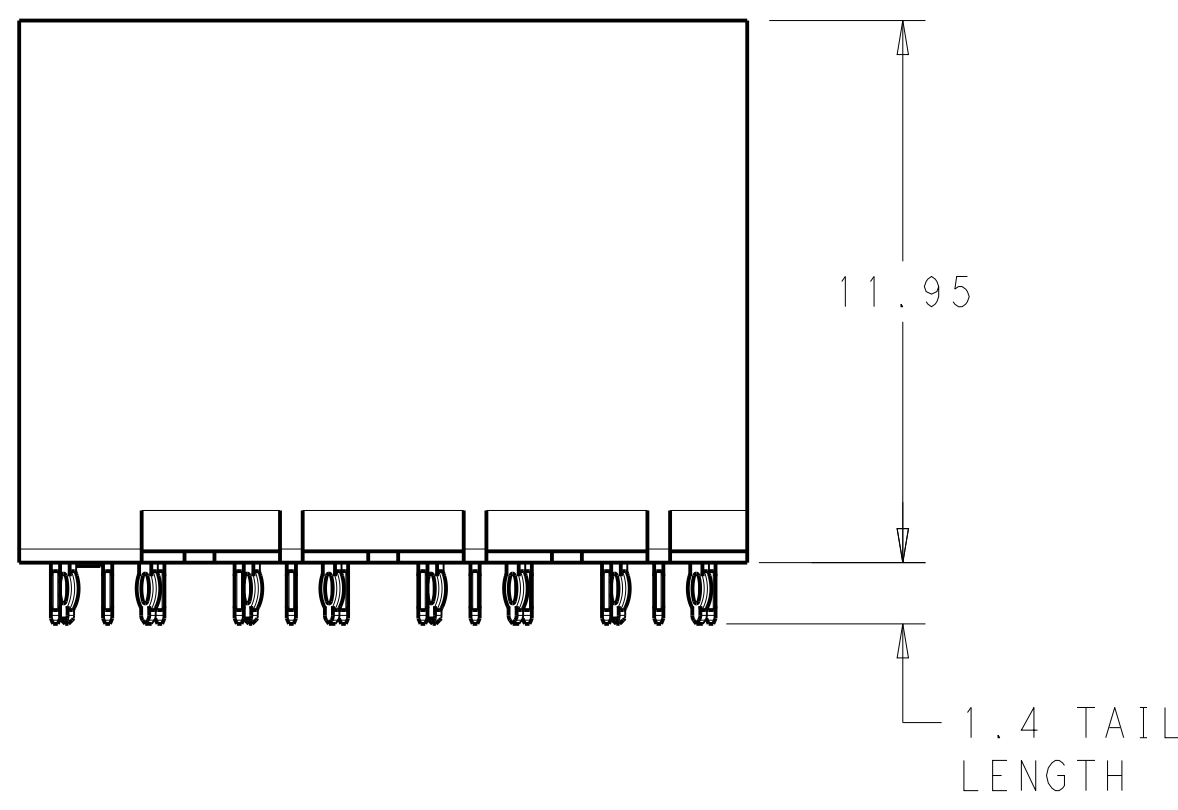
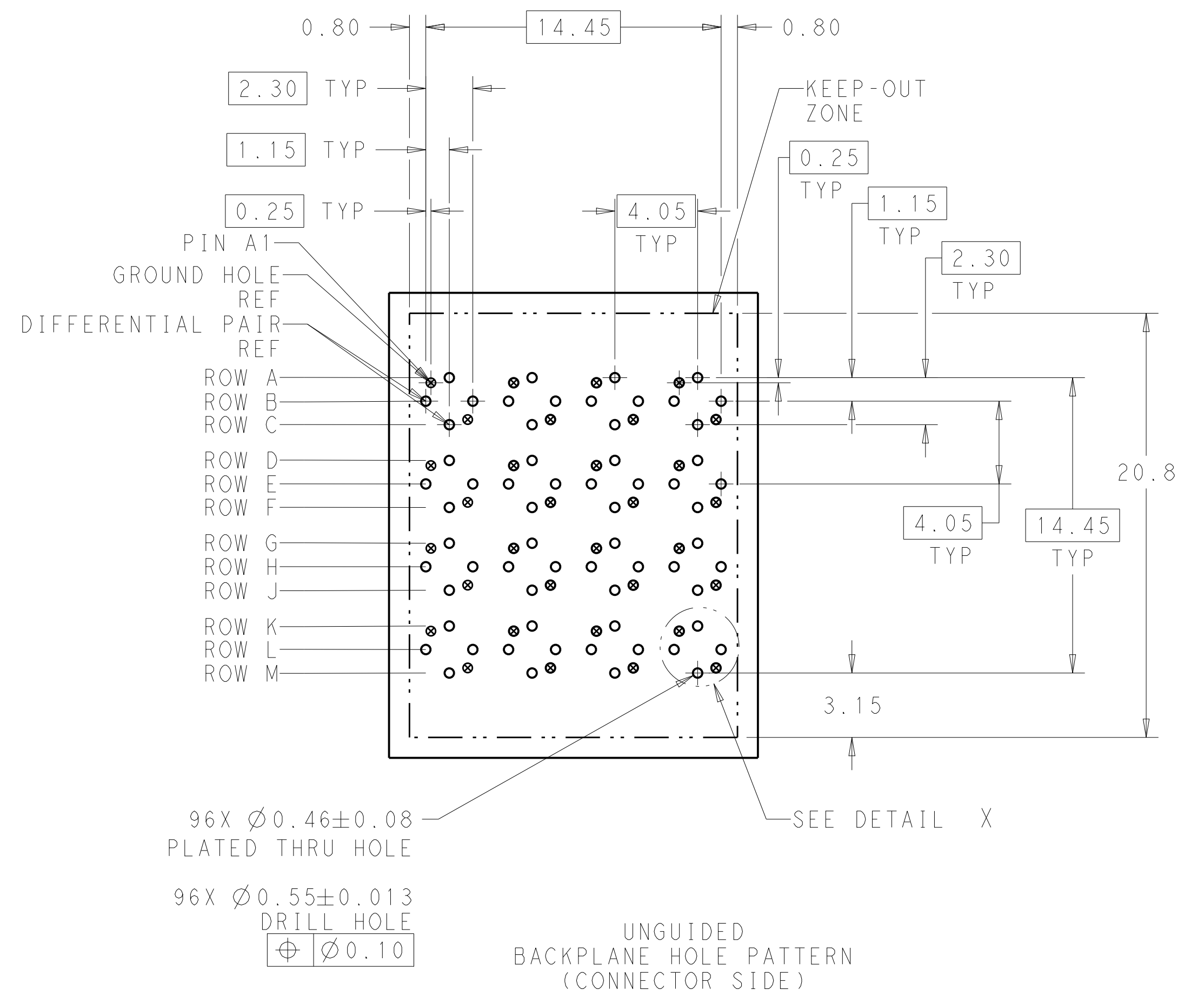


REVISIONS				
REV	LTN	DESCRIPTION	DATE	APV
B		REVISED PER ECO-14-013271	06SEP2014	AP DD



DETAIL X
SCALE 16:1

- 1 MATERIAL:
HOUSING: LCP, GLASS FILLED, UL94V-0.
TERMINALS: HIGH PERFORMANCE COPPER ALLOY.
- 2 FINISH:
30μ" MIN GOLD IN CONTACT AREA. SELECTIVE TIN ON PCB TAILS, NICKEL OVERALL.



REFER TO WWW.TE.COM FOR PRODUCT AVAILABILITY

2	5.5	2132621-2
2	4.9	2132621-1
FINISH	DIM M	PART NUMBER

THIS DRAWING IS A CONTROLLED DOCUMENT.		OWN: KIRAN HOLLA 15APR2013	TE Connectivity	
DIMENSIONS: mm		CHK: D. DIXON 15APR2013	IMPACT, ORTHOGONAL, 4 PAIR, 8 COLUMN HEADER, UNGUIDED, OPEN END WALL SIGNAL MODULE, 0.46 PTH	
TOLERANCES UNLESS OTHERWISE SPECIFIED:		APV: D. DIXON 15APR2013	SIZE: CAGE CODE DRAWING NO. RESTRICTED TO	
0 PLC	±	PRODUCT SPEC	A100779C=2132621	
2 PLC	±0.25	APPLICATION SPEC	SCALE 6:1 SHEET 1 OF 1 REV B	
3 PLC	±0.13	WEIGHT	Customer Drawing	
4 PLC	±	ANGLES		
MATERIAL	SEE TABLE			