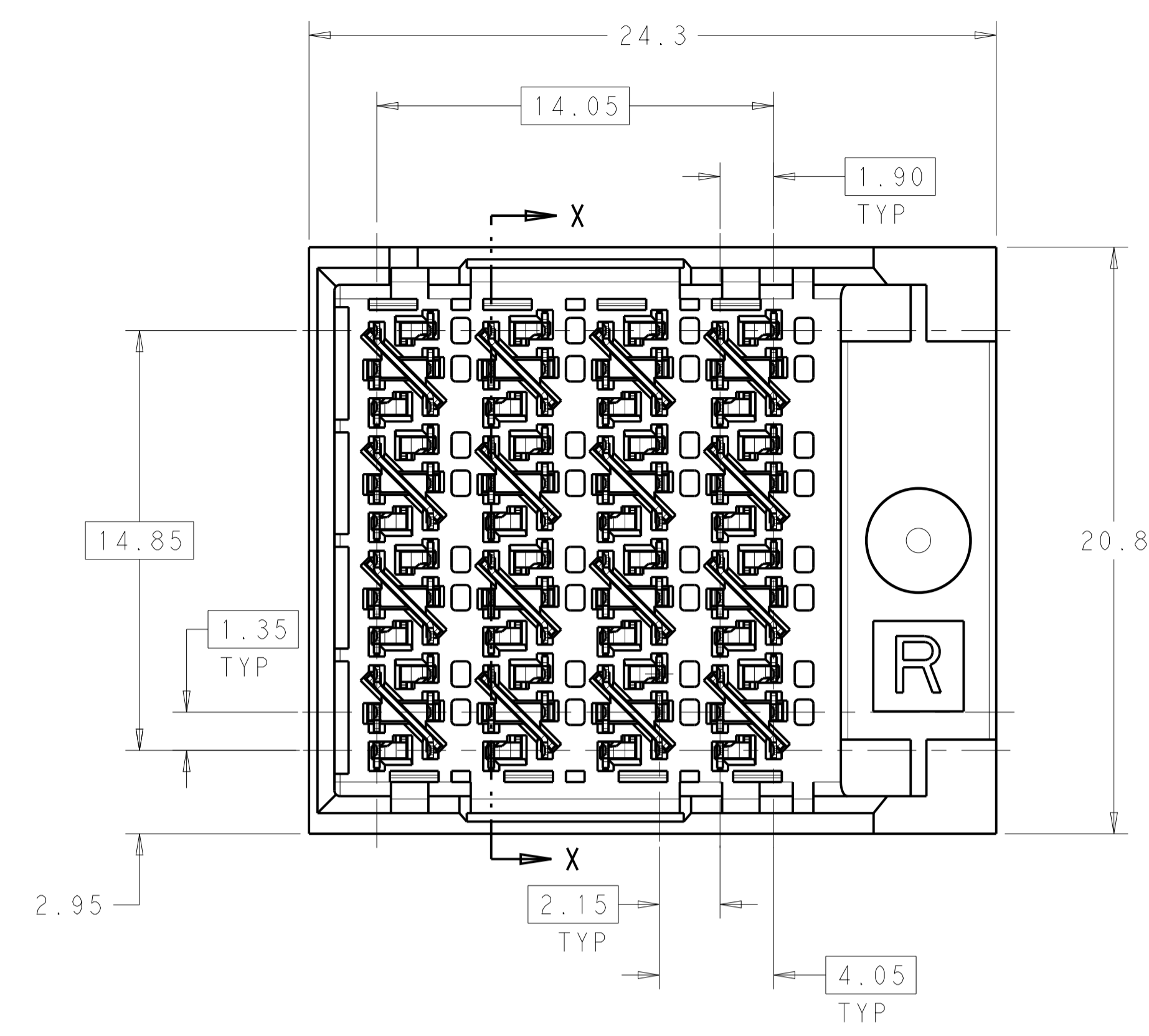
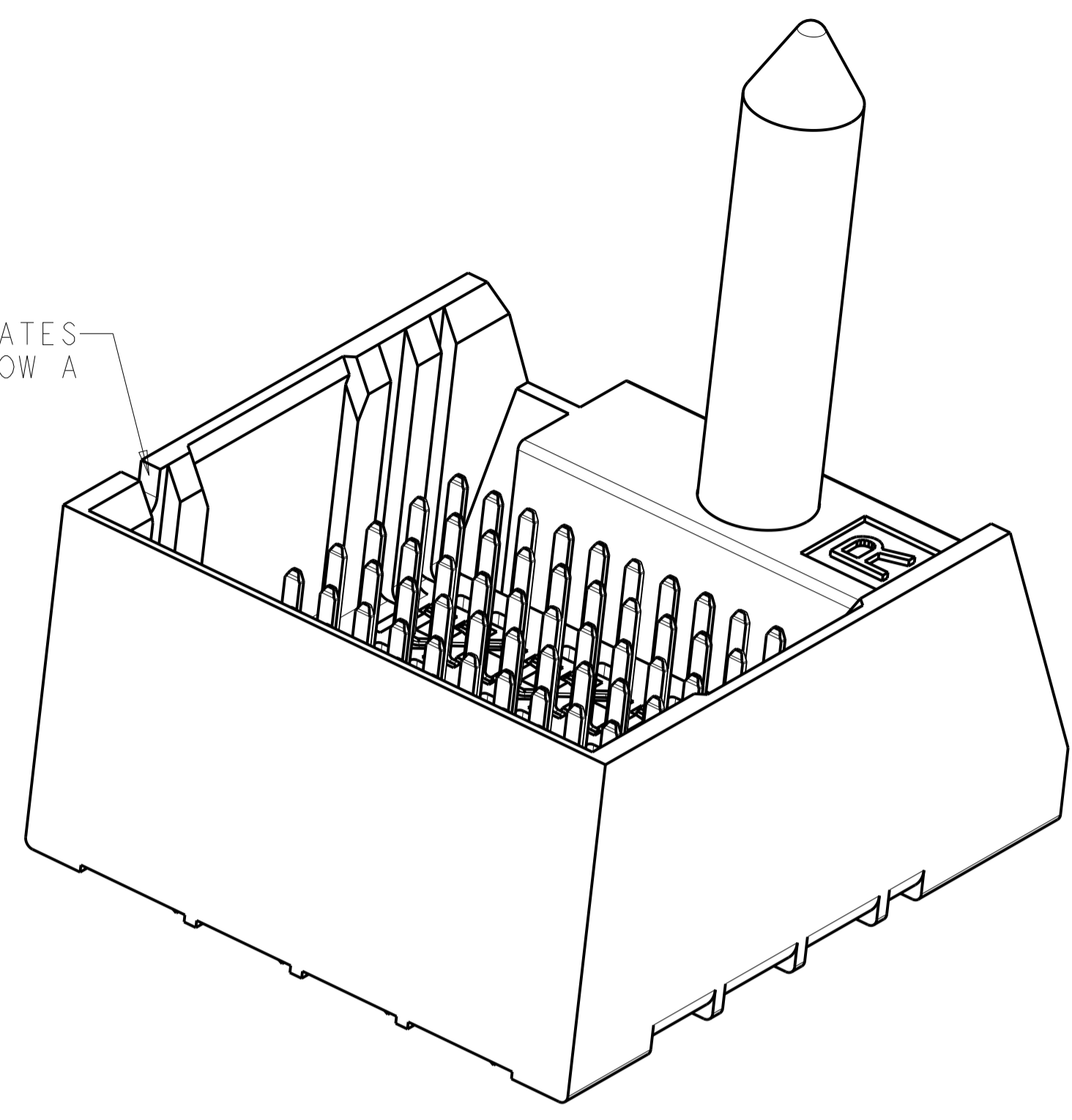


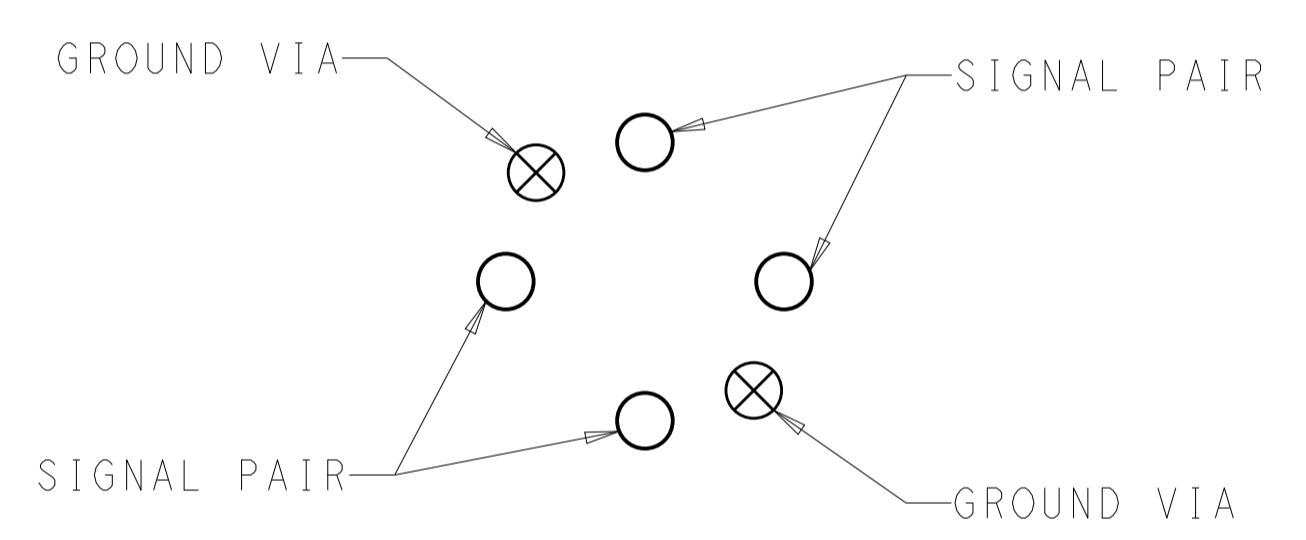
REVISIONS				
REV	LTN	DESCRIPTION	DATE	APV
B		REVISED PER ECO-14-013271	06SEP2014	AP DD



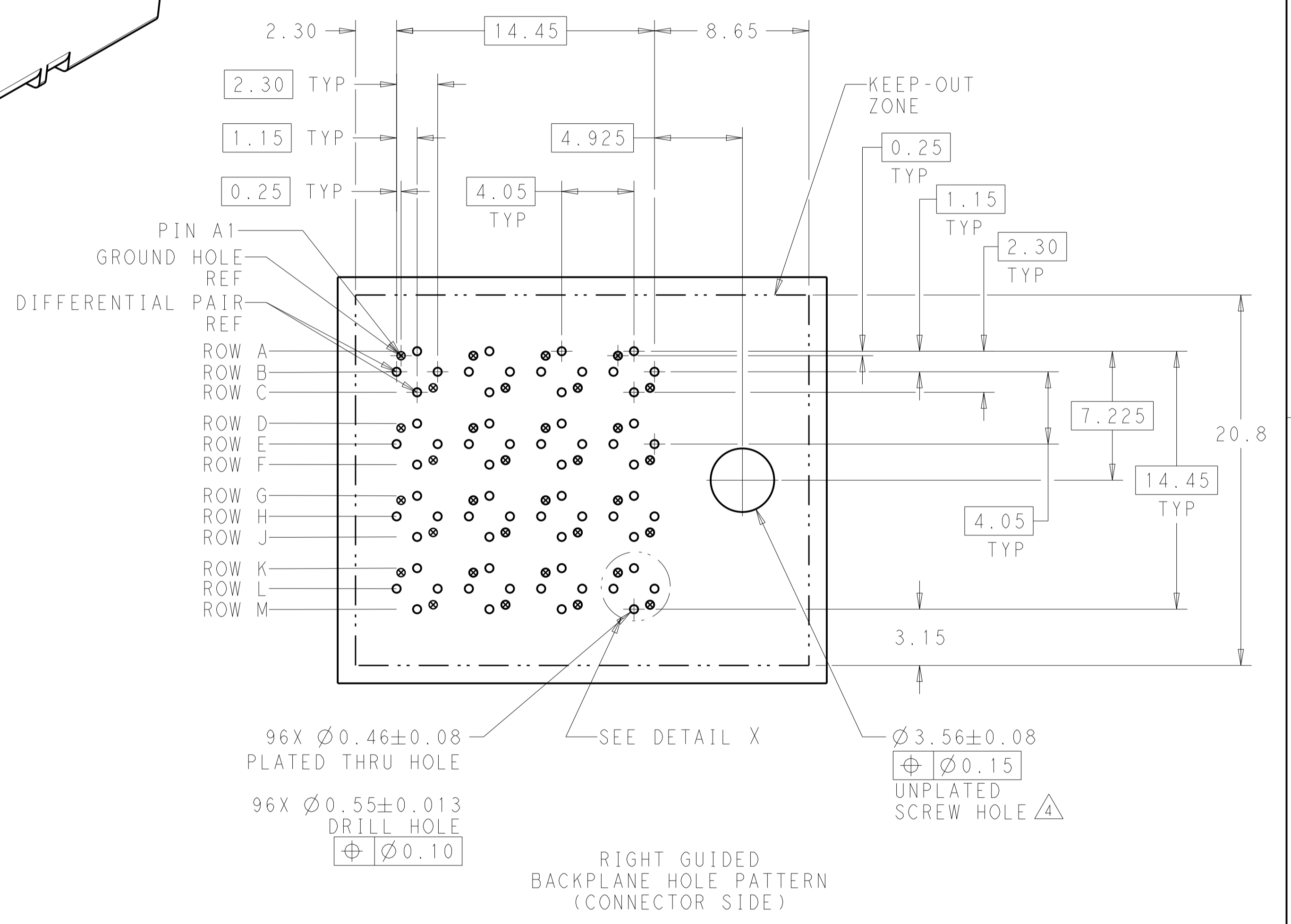
NOTCH DESIGNATES ROW A



- 1 MATERIAL:
HOUSING: LCP, GLASS FILLED, UL94V-0.
TERMINALS: HIGH PERFORMANCE COPPER ALLOY.
- 2 FINISH:
30µ" MIN GOLD IN CONTACT AREA. SELECTIVE TIN ON PCB TAILS, NICKEL OVERALL.
- 3. SCREWS PACKAGED IN END OF PACKAGING TUBE.
- 4 FOR GROUNDED GUIDE PIN USE Ø3.56±0.08 PTH, Ø3.66 DRILL, AND Ø6.5 PAD.

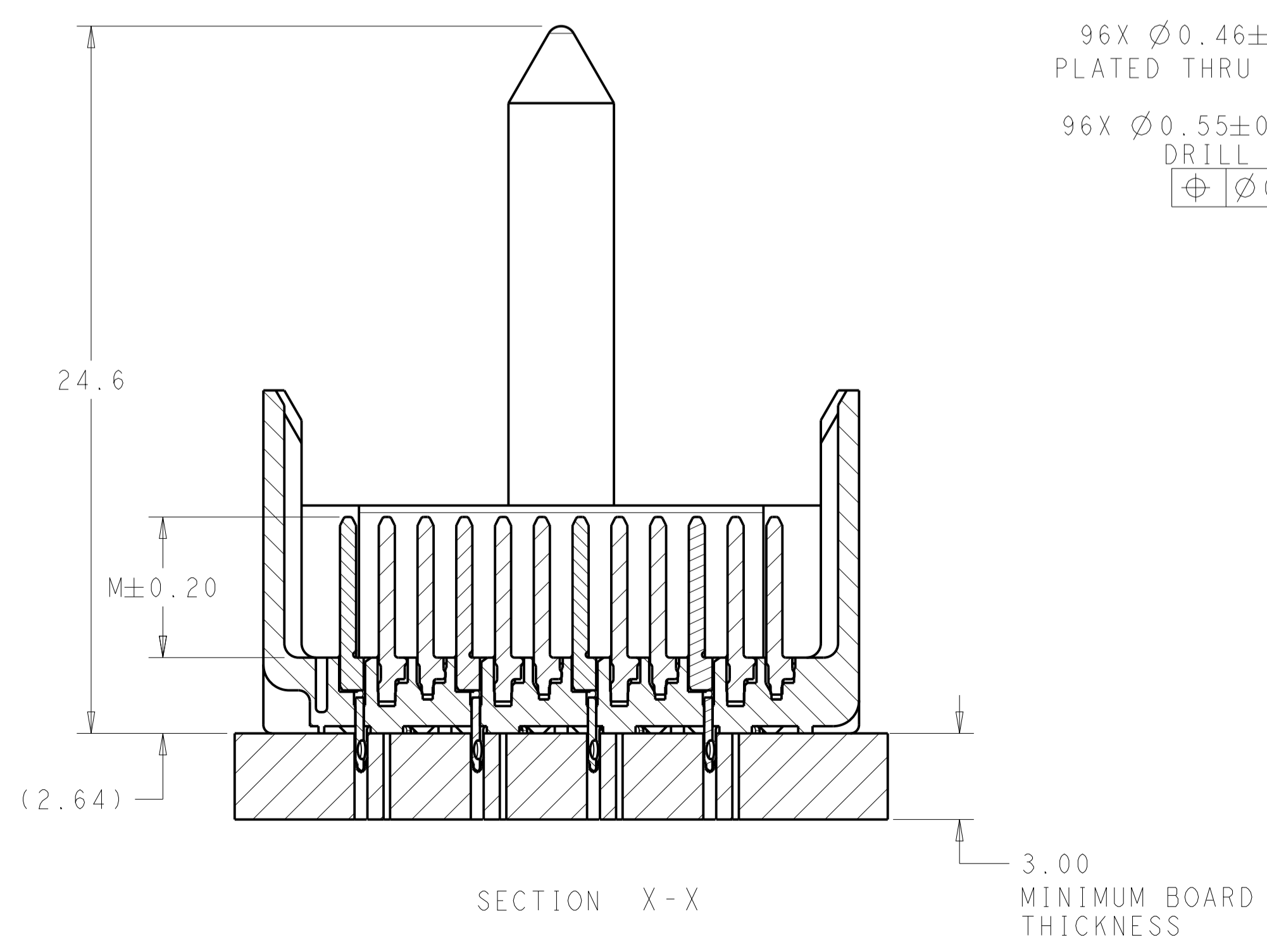
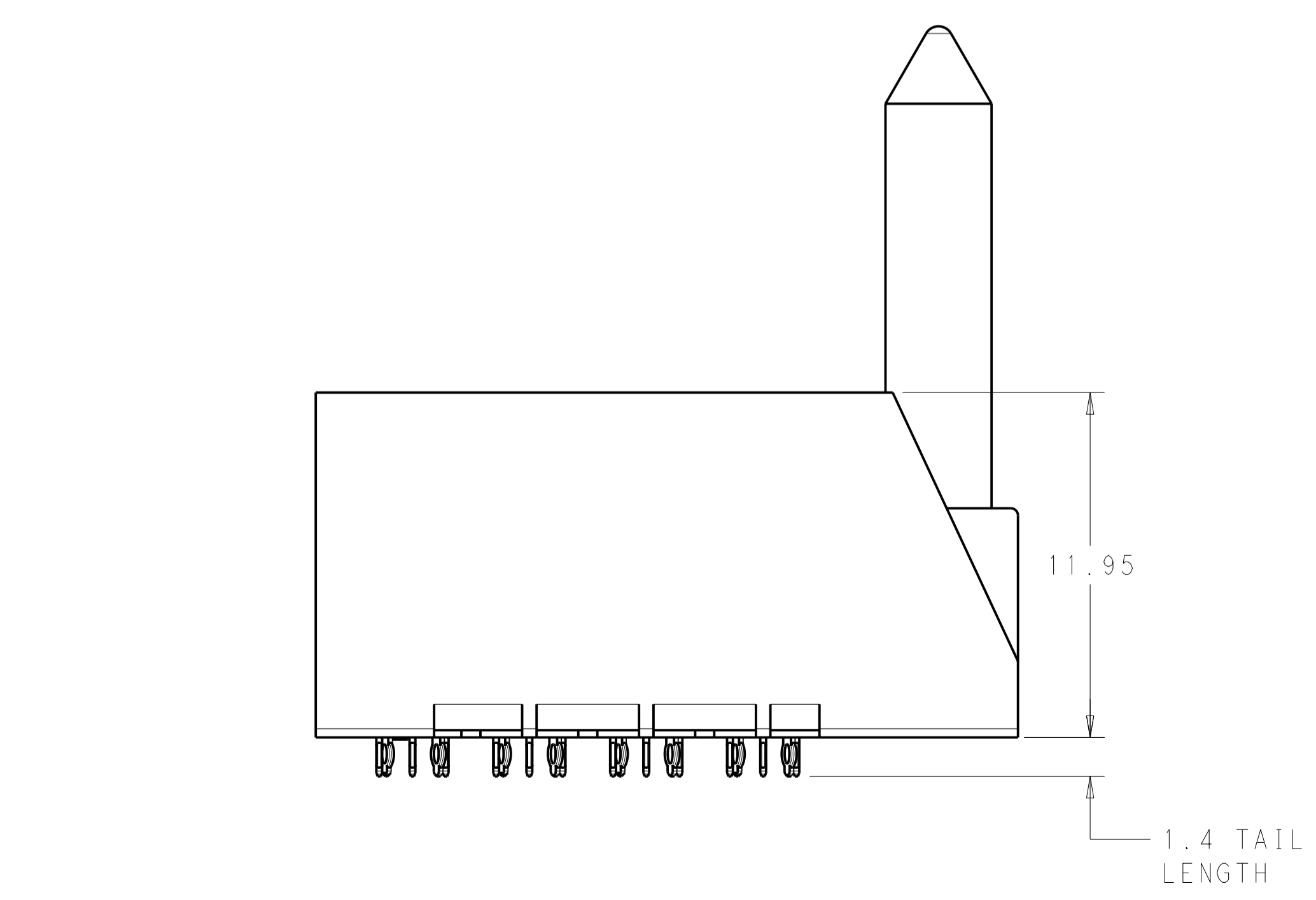


DETAIL X
SCALE 16:1



RIGHT GUIDED BACKPLANE HOLE PATTERN (CONNECTOR SIDE)

REFER TO WWW.TE.COM FOR PRODUCT AVAILABILITY



SECTION X-X

FINISH	DIM M	PART NUMBER
2	5.5	2132620-2
2	4.9	2132620-1

THIS DRAWING IS A CONTROLLED DOCUMENT.		OWN: KIRAN HOLAL 15APR2013	
DIMENSIONS: mm		CHK: D. DIXON 15APR2013	
TOLERANCES UNLESS OTHERWISE SPECIFIED:		APV: D. DIXON 15APR2013	IMPACT, ORTHOGONAL, 4 PAIR, 8 COLUMN HEADER, RIGHT GUIDED, LEFT END WALL SIGNAL MODULE, 0.46 PTH
0 PLC ±0.25		PRODUCT SPEC	
1 PLC ±0.13		APPLICATION SPEC	SIZE: CAGE CODE DRAWING NO
2 PLC ±0.10		FINISH	RESTRICTED TO
3 PLC ±0.08		SEE TABLE	SCALE 6:1 SHEET 1 OF 1 REV B
4 PLC ±0.05		WEIGHT	
ANGLES		Customer Drawing	