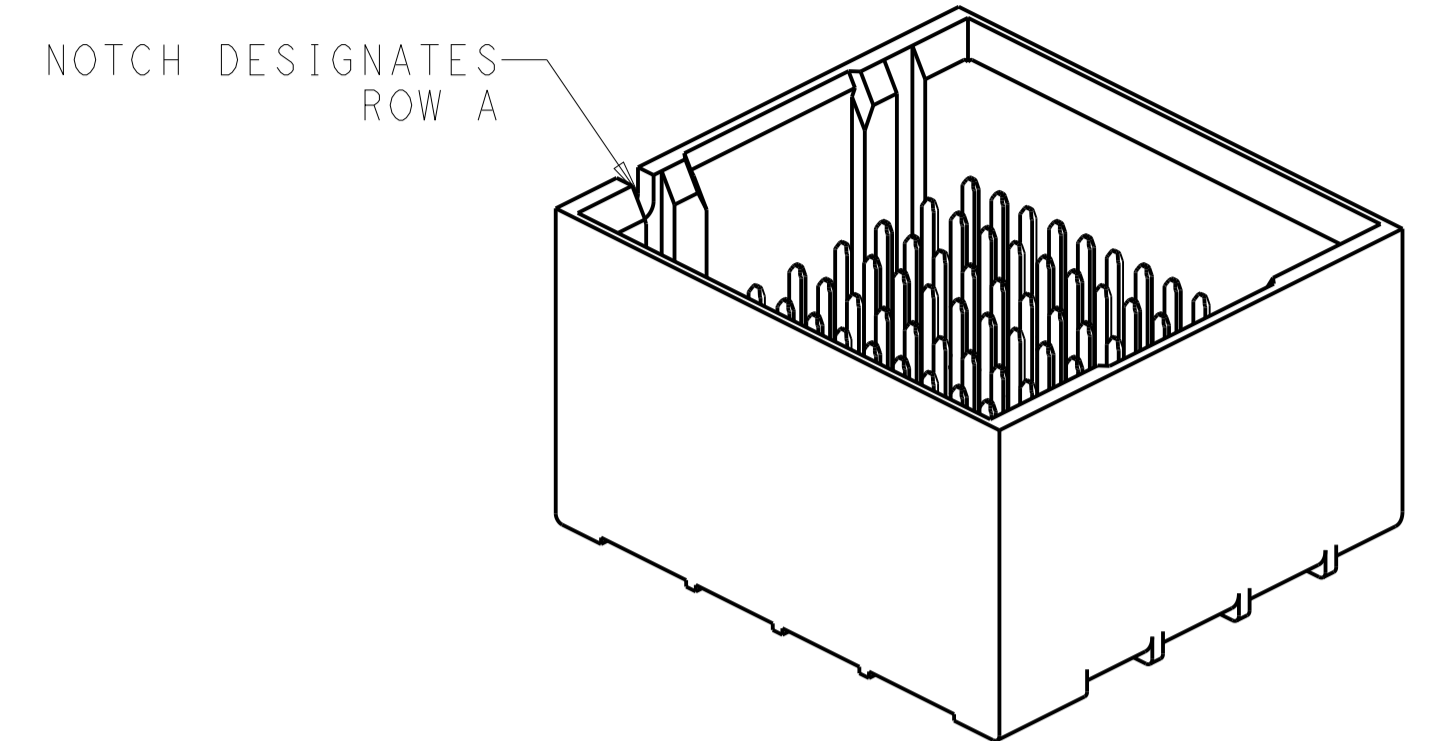
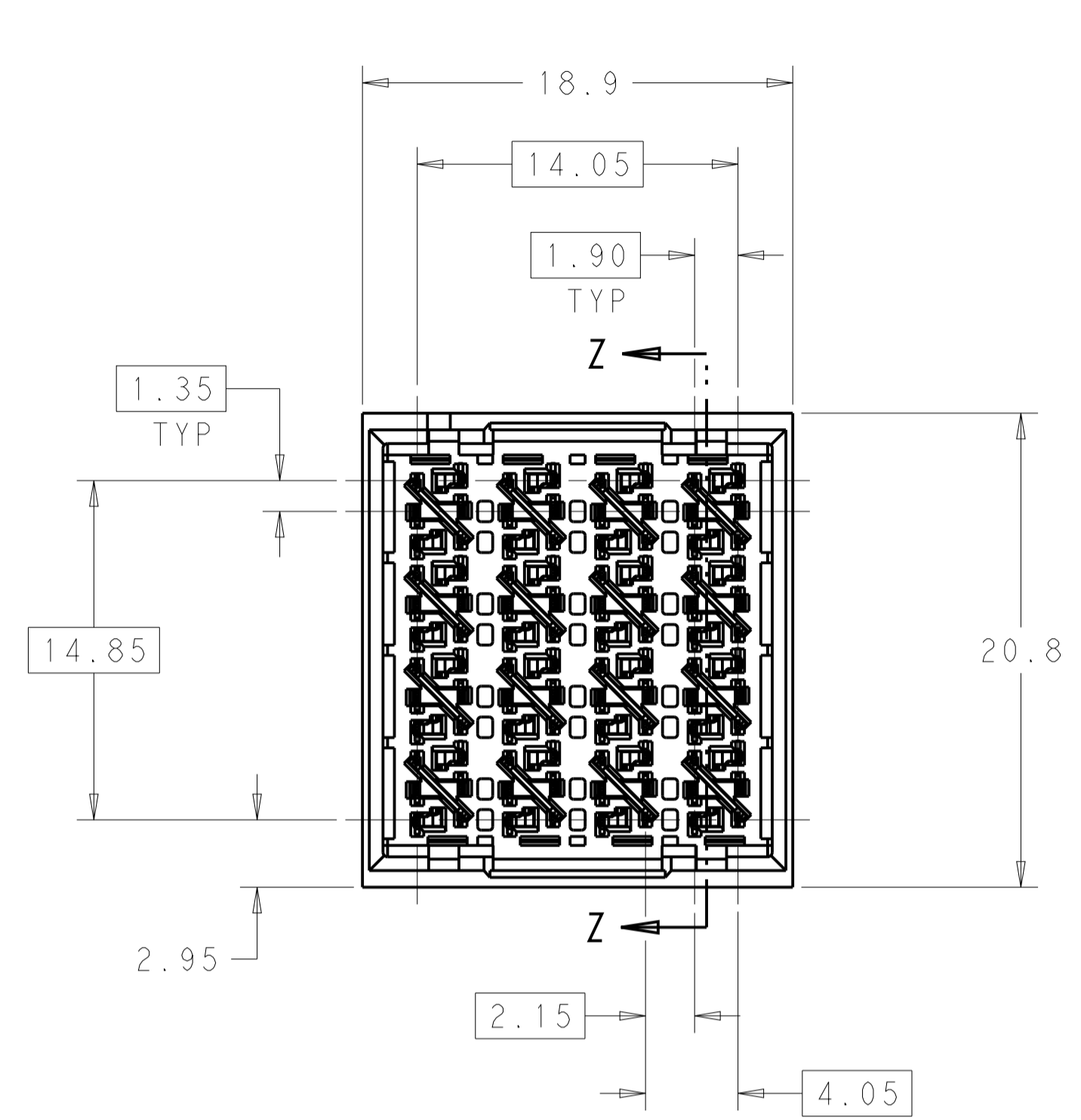
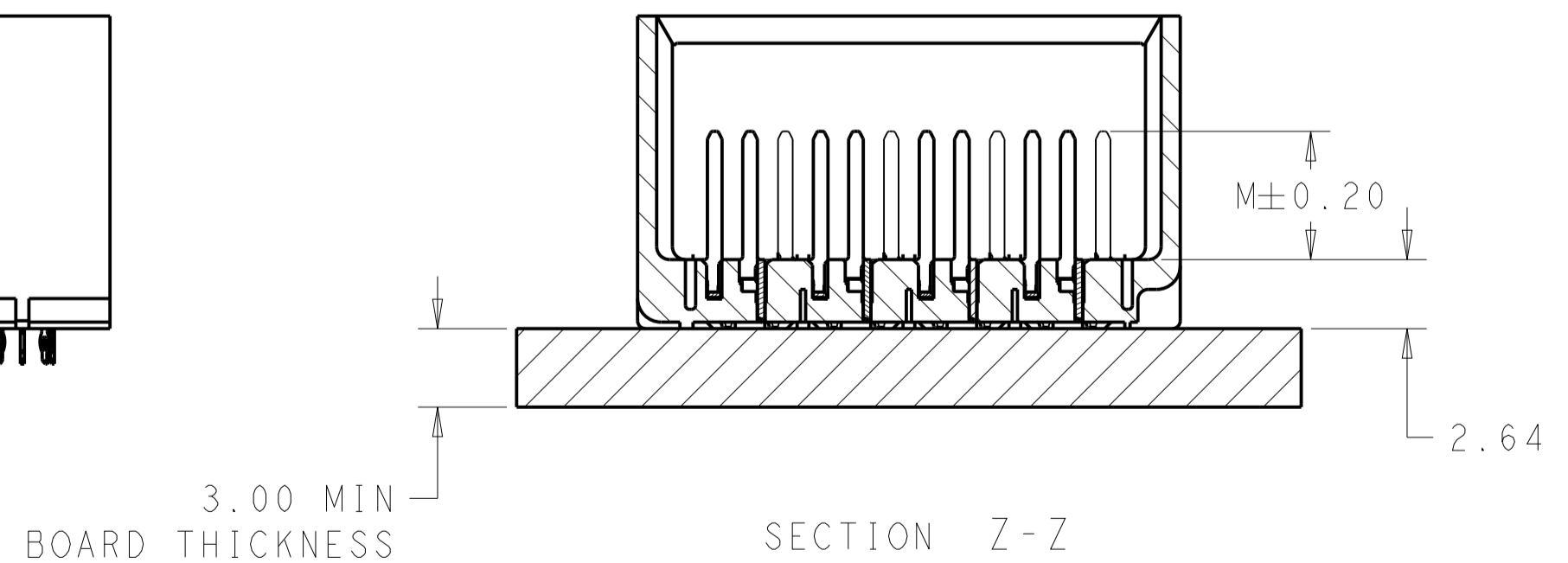
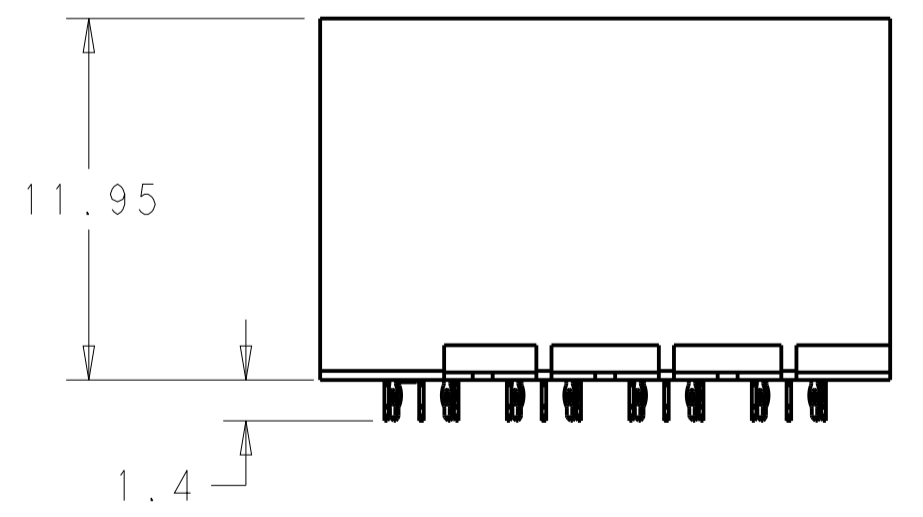
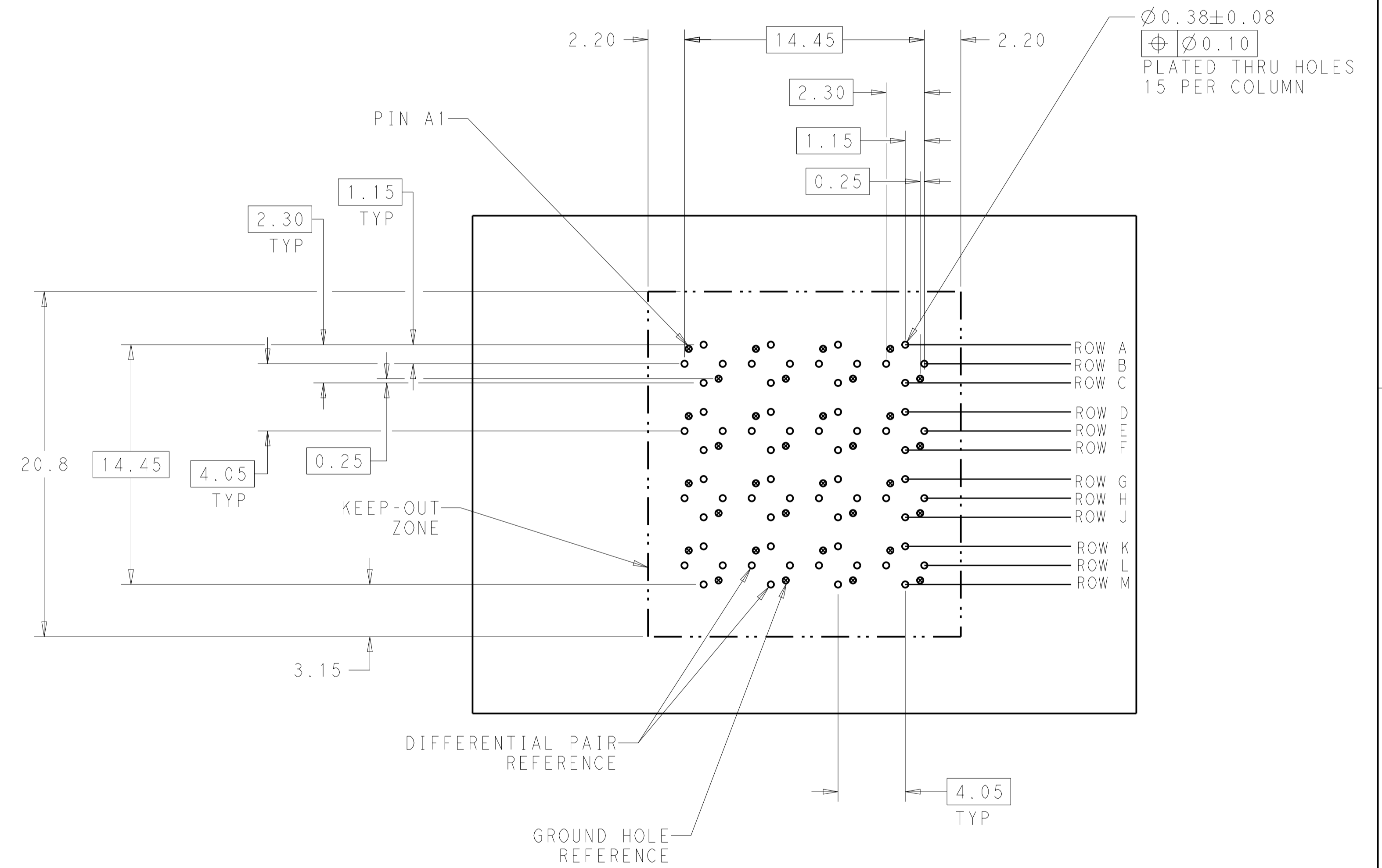


REVISIONS				
P.	LTN.	DESCRIPTION	DATE	APPROV.
C		REVISED PER ECO-14-013271	06SEP2014	AP DD



△ MATERIAL:
 HOUSING: LCP GLASS FILLED UL94V-0
 TERMINALS: HIGH PERFORMANCE COPPER ALLOY

△ FINISH:
 30μ" MIN GOLD IN CONTACT AREA
 SELECTIVE TIN ON PCB TAILS.
 NICKEL OVERALL.



LEFT GUIDED
 BACKPLANE HOLE PATTERN
 (CONNECTOR SIDE)
 SCALE 5:1

△	5.5	2132615-2
△	4.9	2132615-1
FINISH	DIM M	PART NUMBER

THIS DRAWING IS A CONTROLLED DOCUMENT.		DWN J. K. SHOBER 29OCT2010	TE Connectivity NAME: IMPACT, 4 PAIR, 8 COLUMN, UNGUIDED DUAL END WALL ASSEMBLY, ORTHOGONAL, 0.39 PTH SIZE: CAGE CODE DRAWING NO. RESTRICTED TO A100779C=2132615 SCALE 4:1 SHEET 1 OF 1 REV C
DIMENSIONS: mm		CHK J. EARY 29OCT2010	
TOLERANCES UNLESS OTHERWISE SPECIFIED:		APVD J. EARY 29OCT2010	
0 PLC ± 1 PLC ±0.25 2 PLC ±0.13 3 PLC ± 4 PLC ± ANGLES ±0		PRODUCT SPEC APPLICATION SPEC WEIGHT Customer Drawing	