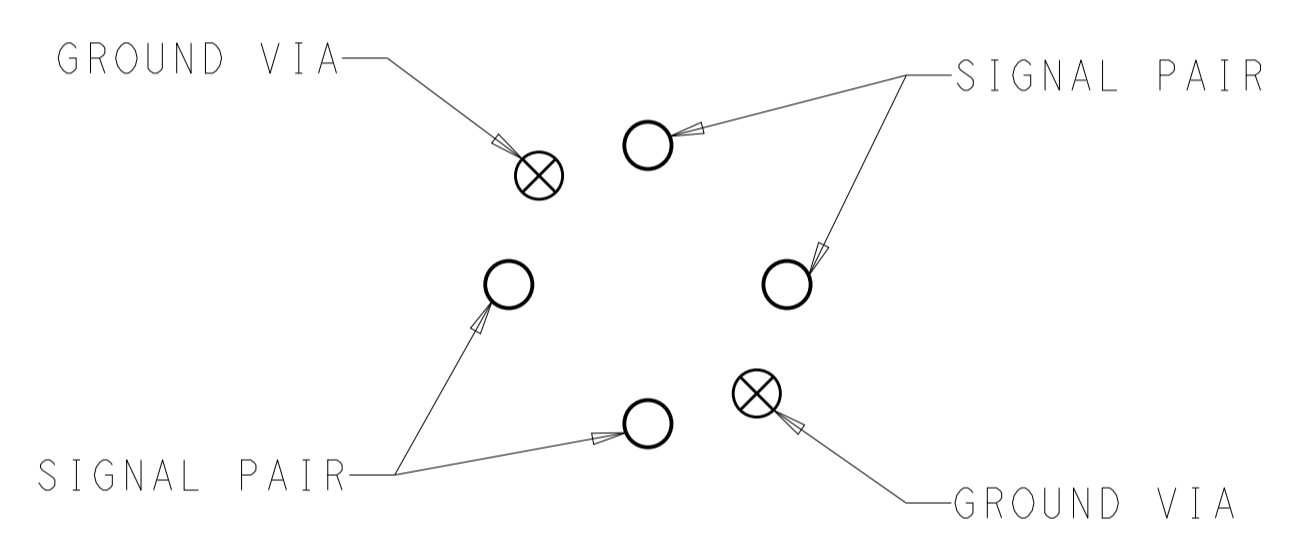
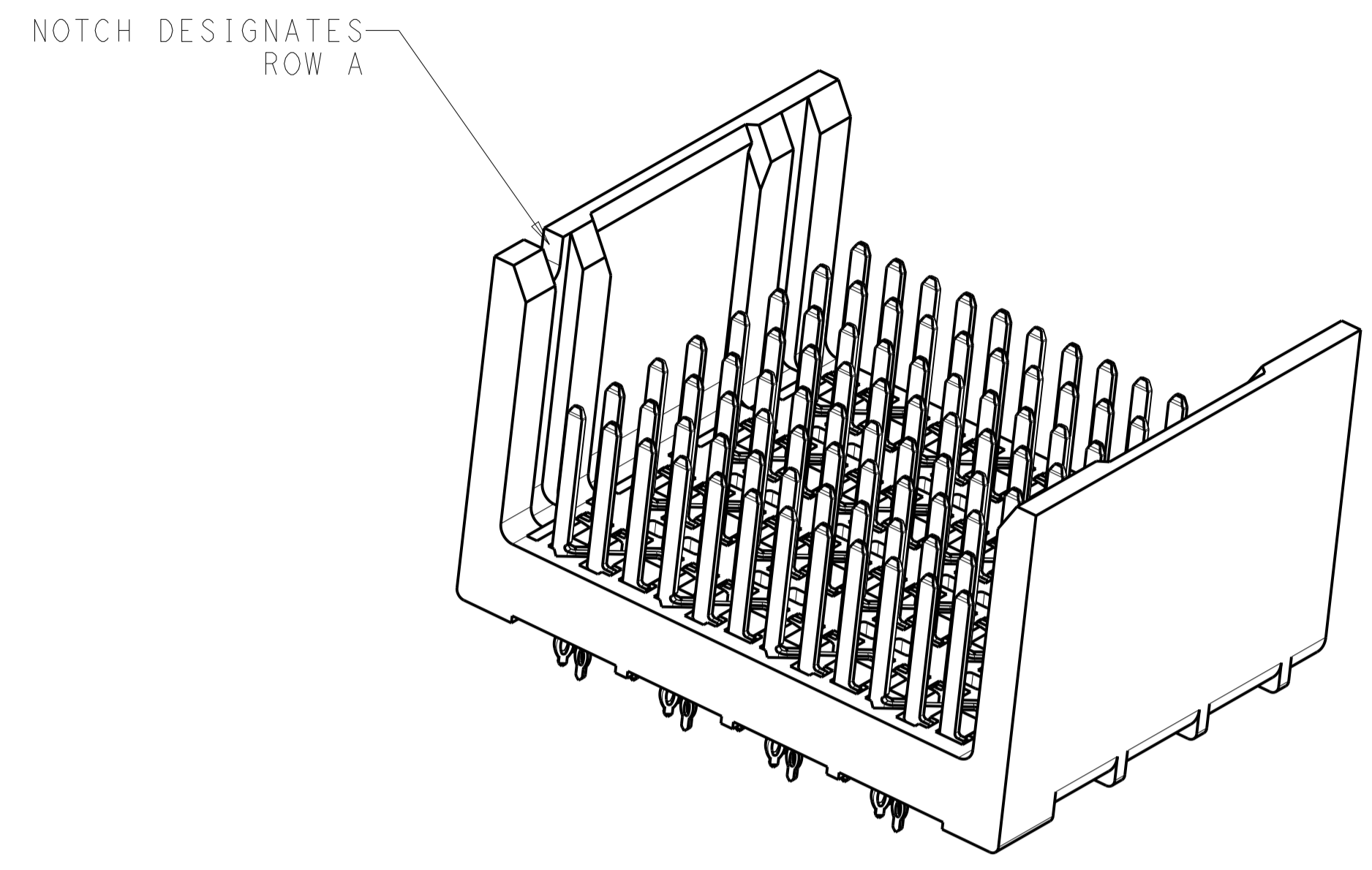
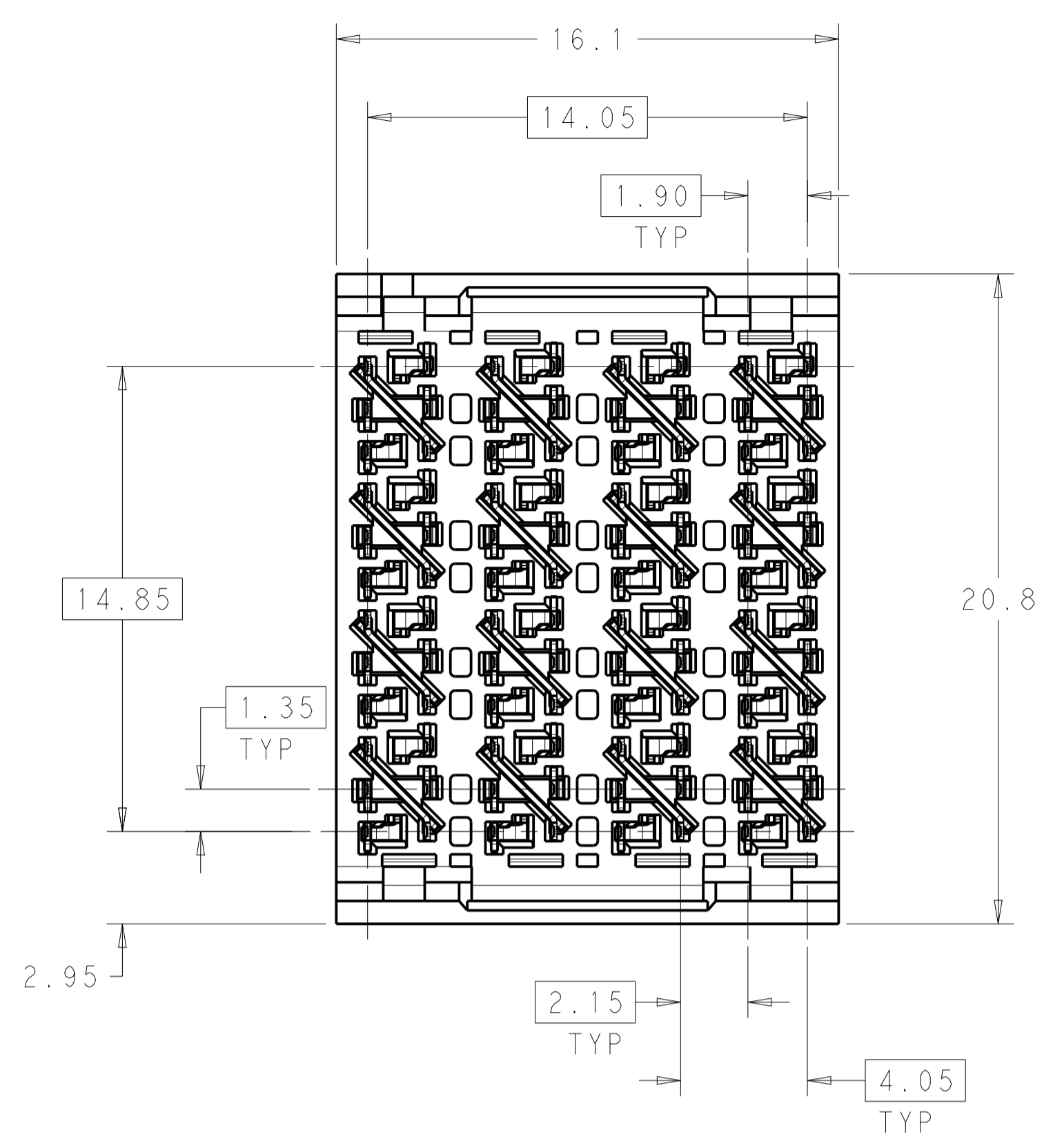
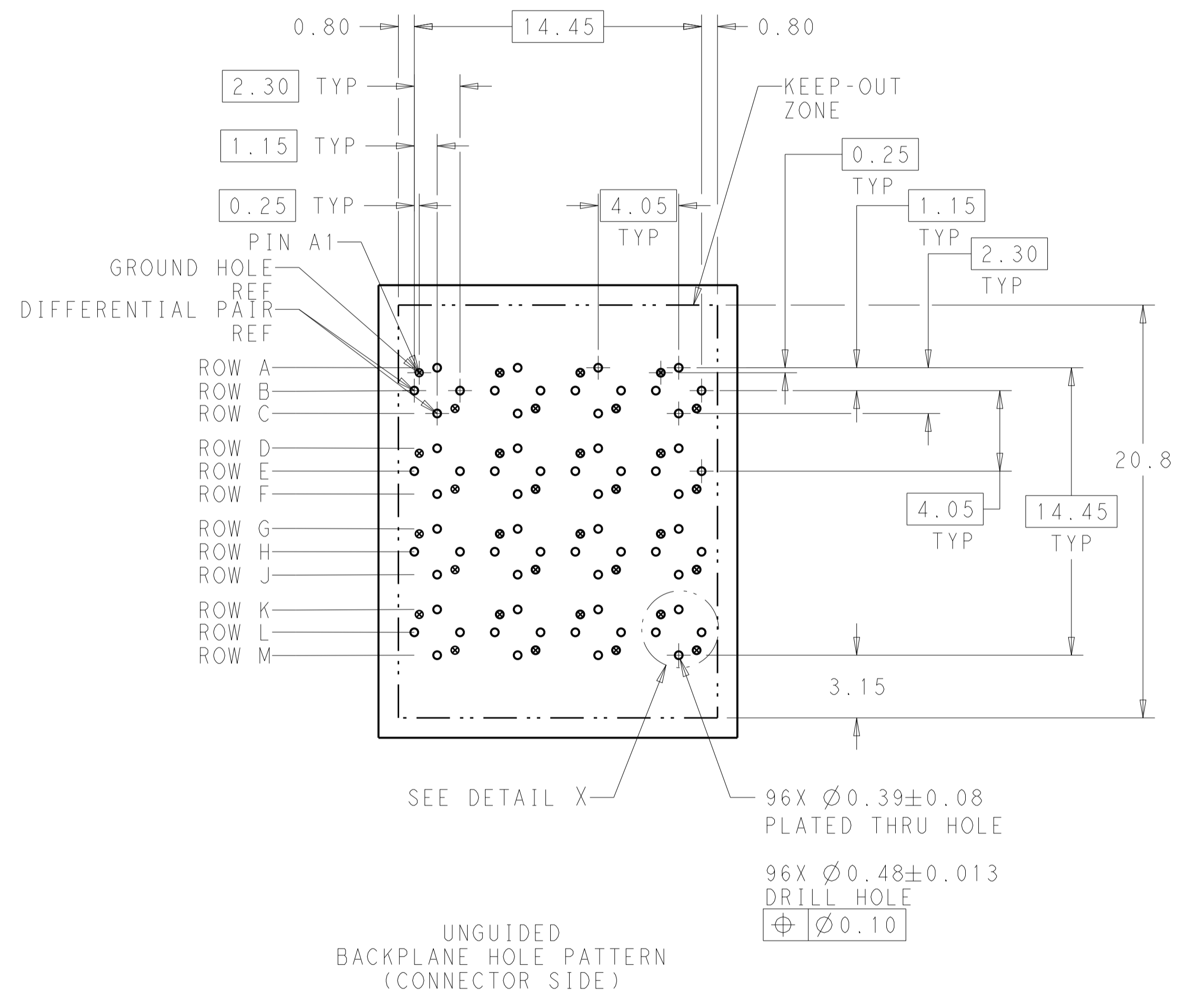


REVISIONS				
REV	LTN	DESCRIPTION	DATE	APVD
C		REVISED PER ECO-14-013271	06SEP2014	AP DD

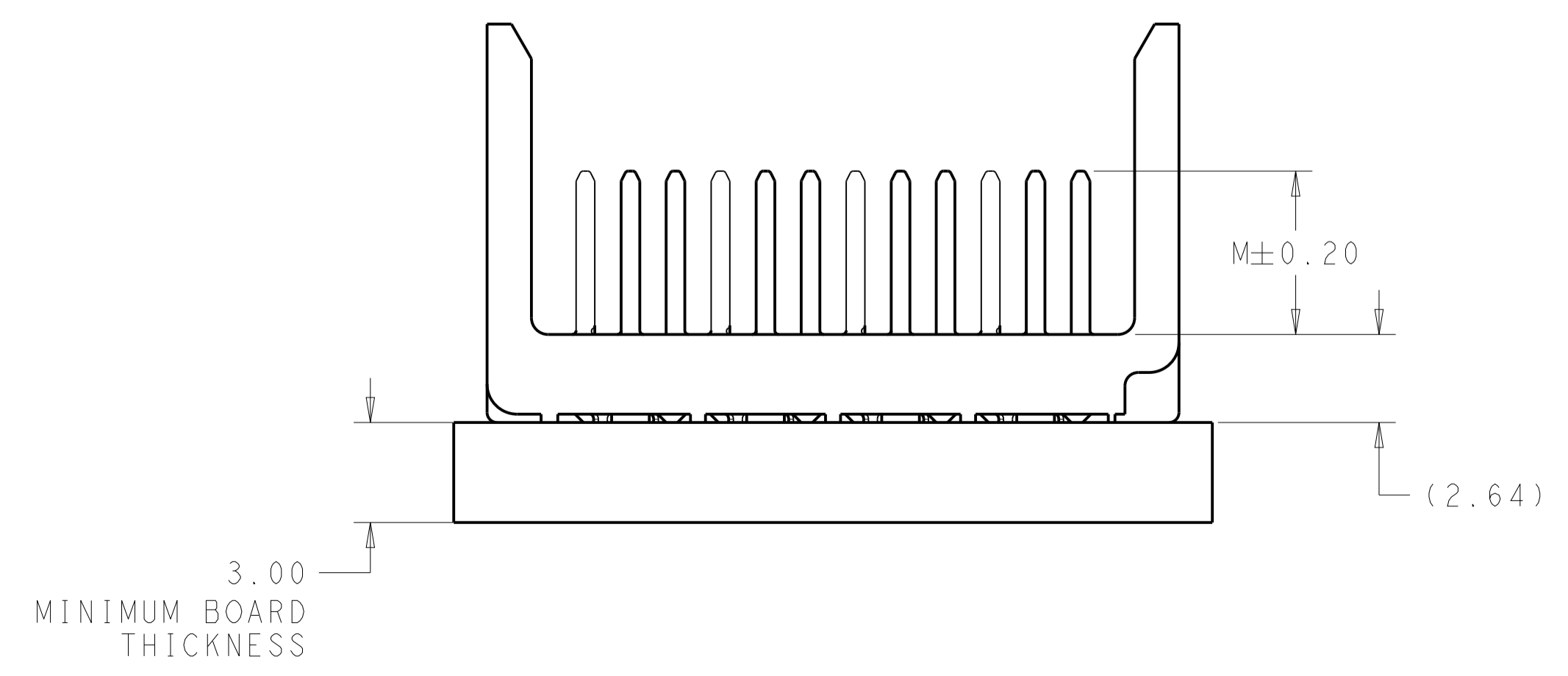
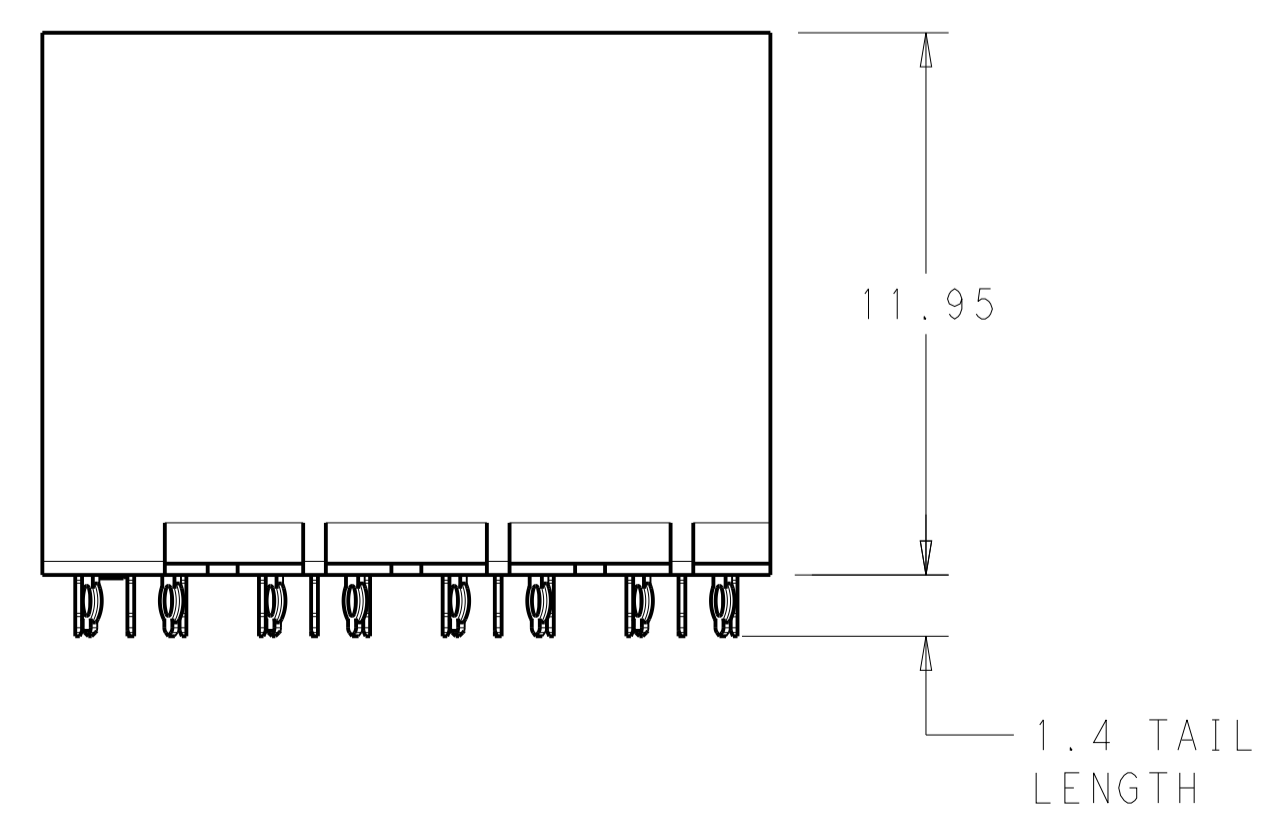


DETAIL X  
SCALE 16:1

- ① MATERIAL:  
HOUSING: LCP, GLASS FILLED, UL94V-0.  
TERMINALS: HIGH PERFORMANCE COPPER ALLOY.
- ② FINISH:  
30μ" MIN GOLD IN CONTACT AREA. SELECTIVE TIN ON PCB TAILS, NICKEL OVERALL.



REFER TO WWW.TE.COM FOR PRODUCT AVAILABILITY



②	5.5	2132613-2
②	4.9	2132613-1
FINISH	DIM M	PART NUMBER

THIS DRAWING IS A CONTROLLED DOCUMENT.		OWN: KIRAN HOLH 08APR2013	
DIMENSIONS: mm		CHK: D. DIXON 08APR2013	
TOLERANCES UNLESS OTHERWISE SPECIFIED:		APVD: D. DIXON 08APR2013	NAME: IMPACT, ORTHOGONAL, 4 PAIR, 8 COLUMN HEADER, UNGUIDED, OPEN END WALL SIGNAL MODULE, 0.39 PTH SIZE: CAGE CODE DRAWING NO: A100779C=2132613 RESTRICTED TO:
0 PLC ±0.25 1 PLC ±0.13 3 PLC ±0.13 4 PLC ±0.13 ANGLES ±0.13		PRODUCT SPEC: - APPLICATION SPEC: - WEIGHT: - CUSTOMER DRAWING: -	
MATERIAL: SEE TABLE		SCALE: 6:1	SHEET 1 OF 1