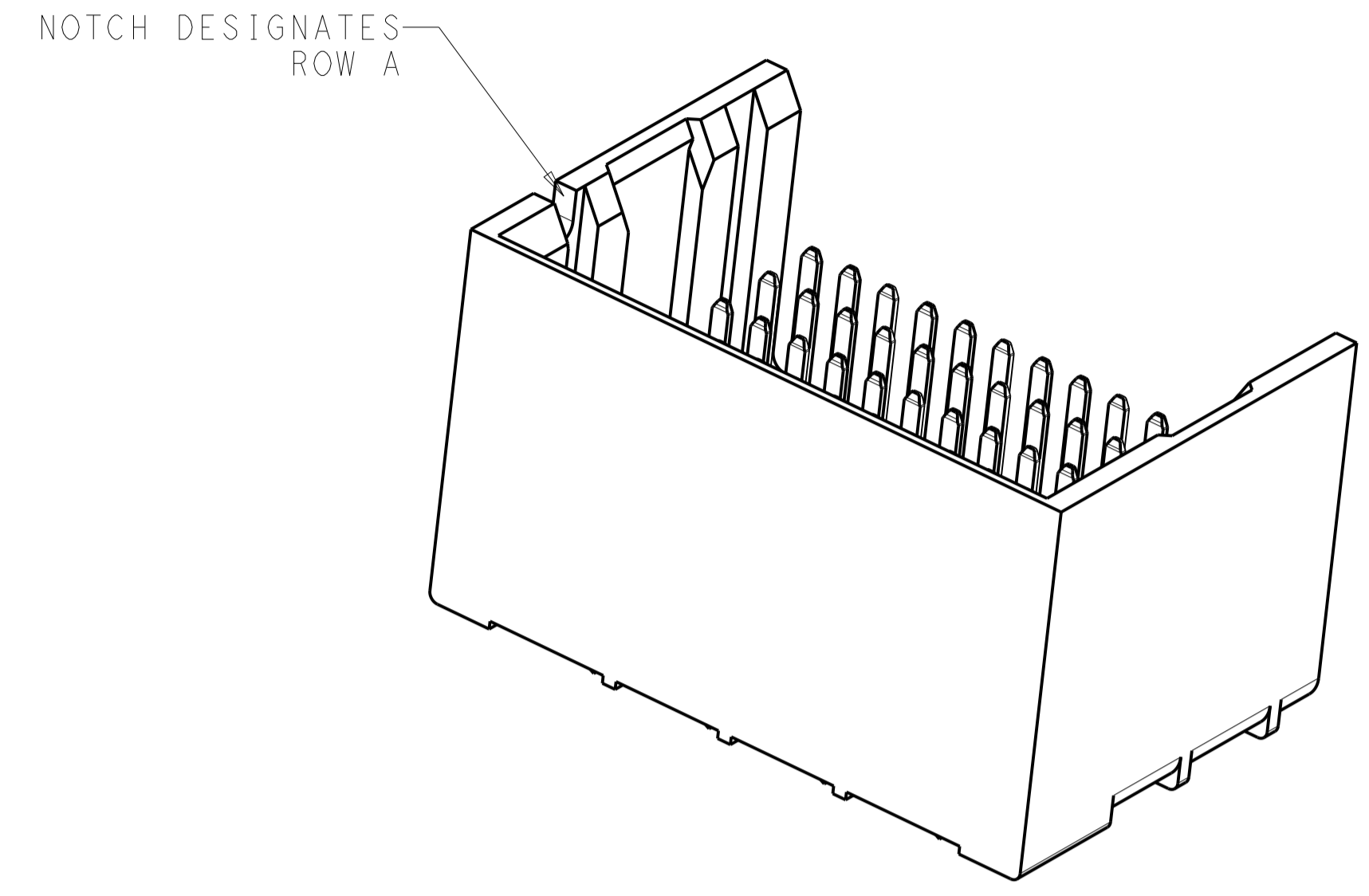
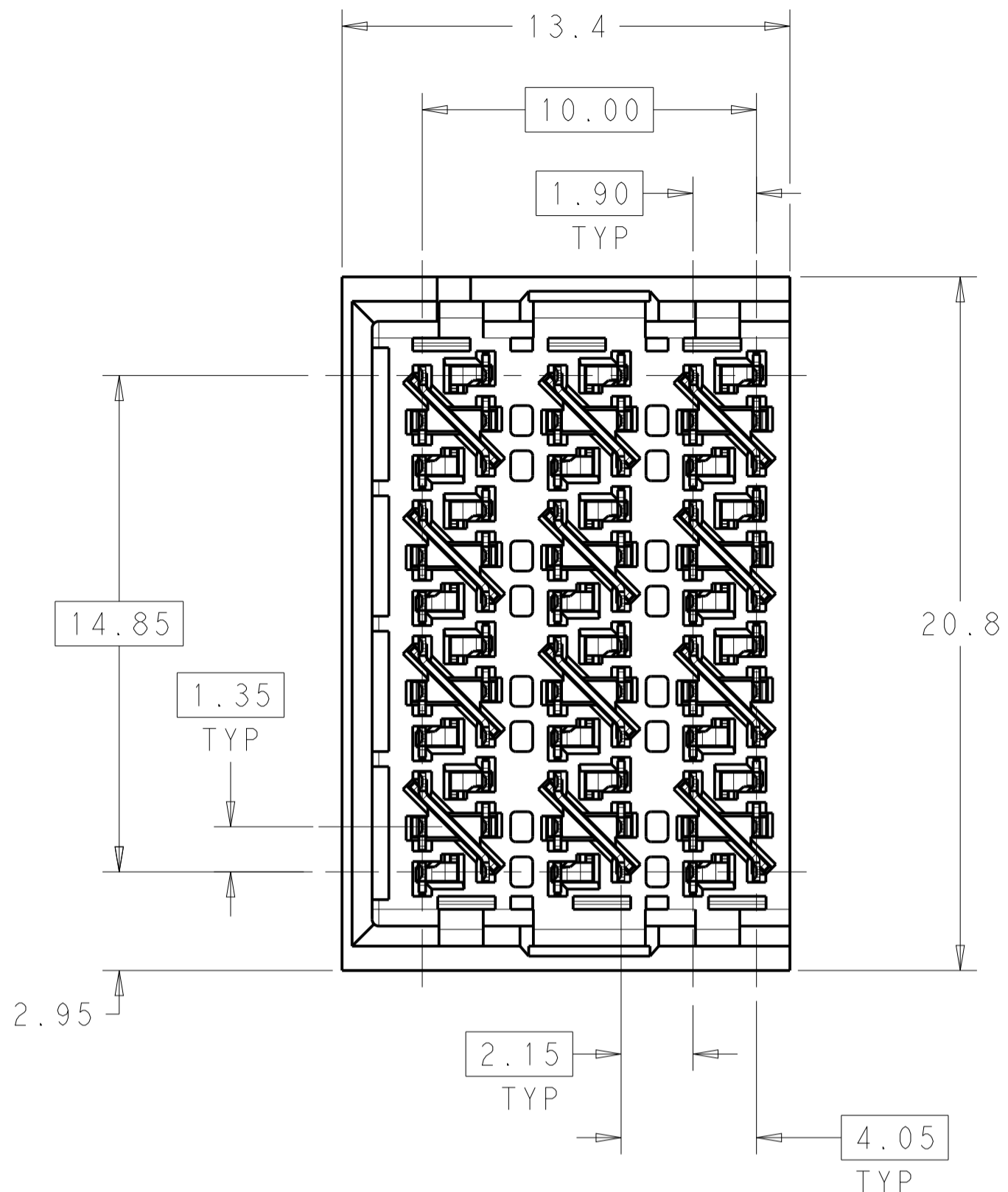
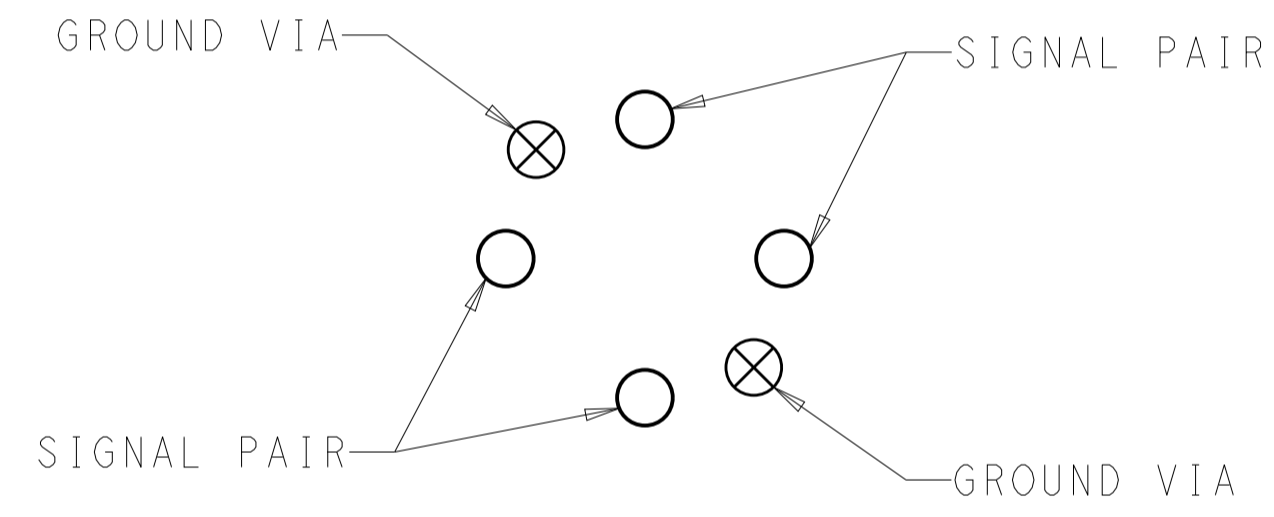


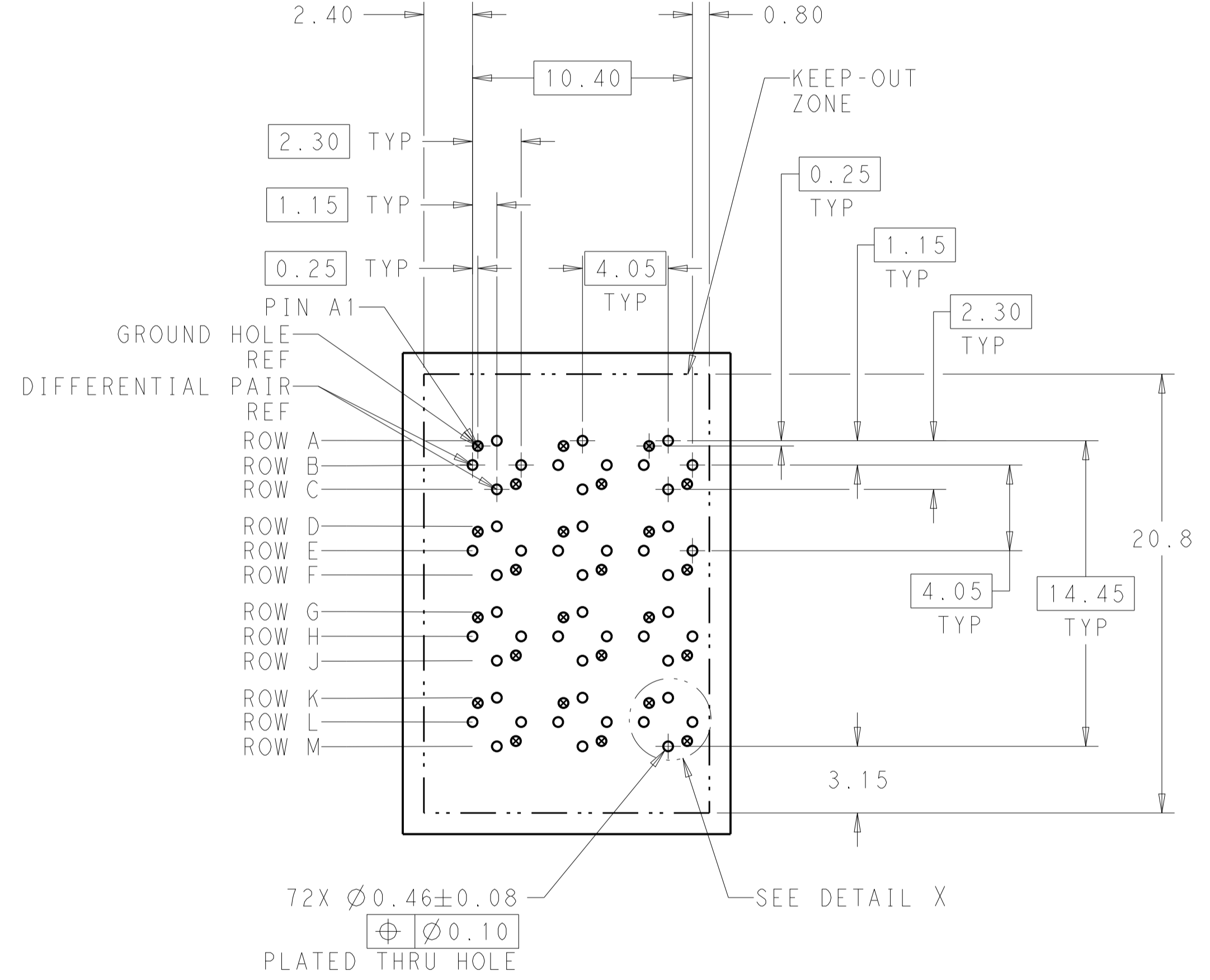
REVISIONS				
P.	LTN	DESCRIPTION	DATE	APPROV
B		REVISED PER ECO-14-013271	06SEP2014	AP DD



- 1 MATERIAL:
HOUSING: LCP, GLASS FILLED, UL94V-0.
TERMINALS: HIGH PERFORMANCE COPPER ALLOY.
- 2 FINISH:
30µ" MIN GOLD IN CONTACT AREA. SELECTIVE TIN ON PCB TAILS, NICKEL OVERALL.

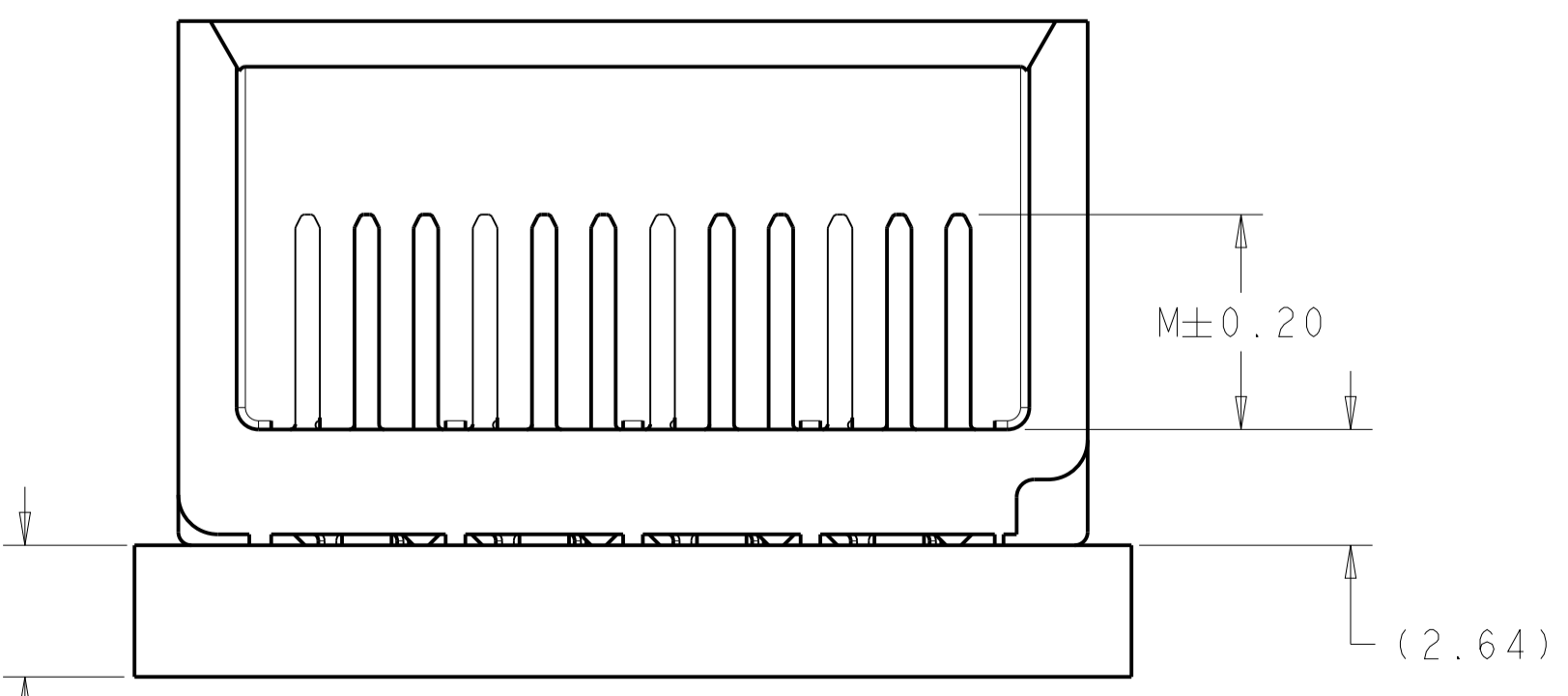
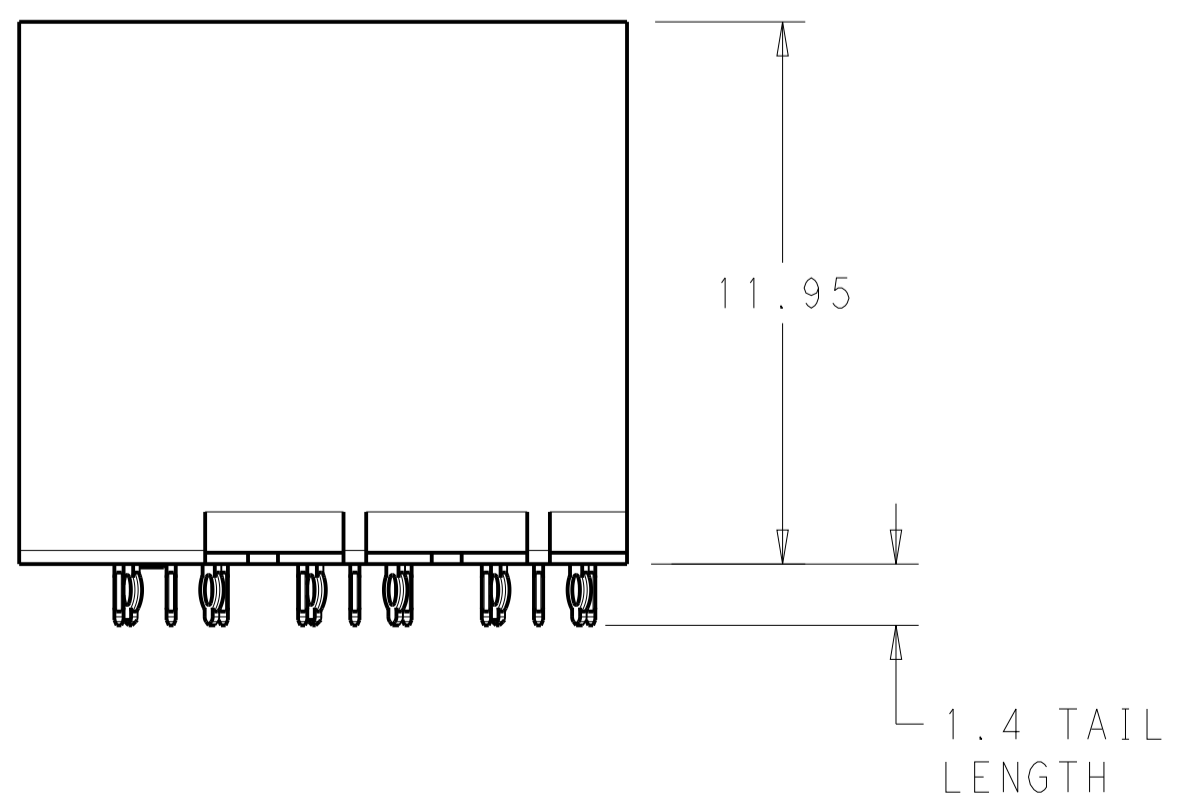


DETAIL X
SCALE 16:1



UNGUIDED
BACKPLANE HOLE PATTERN
(CONNECTOR SIDE)

REFER TO WWW.TE.COM
FOR PRODUCT AVAILABILITY



FINISH	5.5	2132606-2
DIM M	4.9	2132606-1
PART NUMBER		

THIS DRAWING IS A CONTROLLED DOCUMENT.		DWN: KIRAN HOLAL 18OCT2012	NAME
DIMENSIONS:		CHK: DIXON DIRK 18OCT2012	IMPACT, ORTHOGONAL, 4 PAIR, 6 COLUMN
mm	0 PLC ±0.25	APVD: DIXON DIRK 18OCT2012	HEADER, UNGUIDED, LEFT END WALL
	2 PLC ±0.13		SIGNAL MODULE, 0.46 PTH
	3 PLC ±0.13		
	4 PLC ±0.13		
	ANGLES ±0.13		
MATERIAL	SEE TABLE	WEIGHT	SIZE CAGE CODE DRAWING NO RESTRICTED TO
			A100779C=2132606
		Customer Drawing	SCALE 6:1 SHEET 1 OF 1 REV B