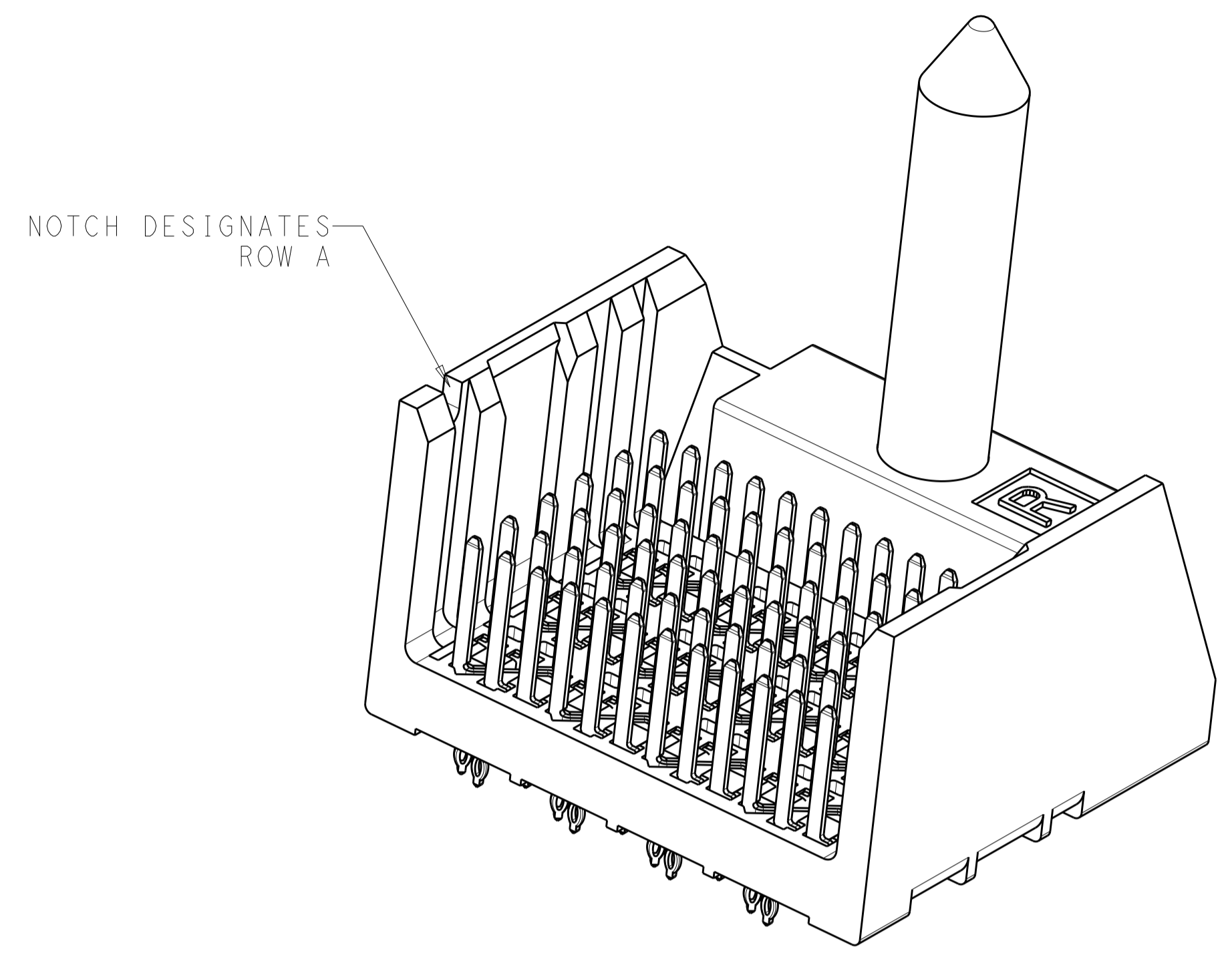
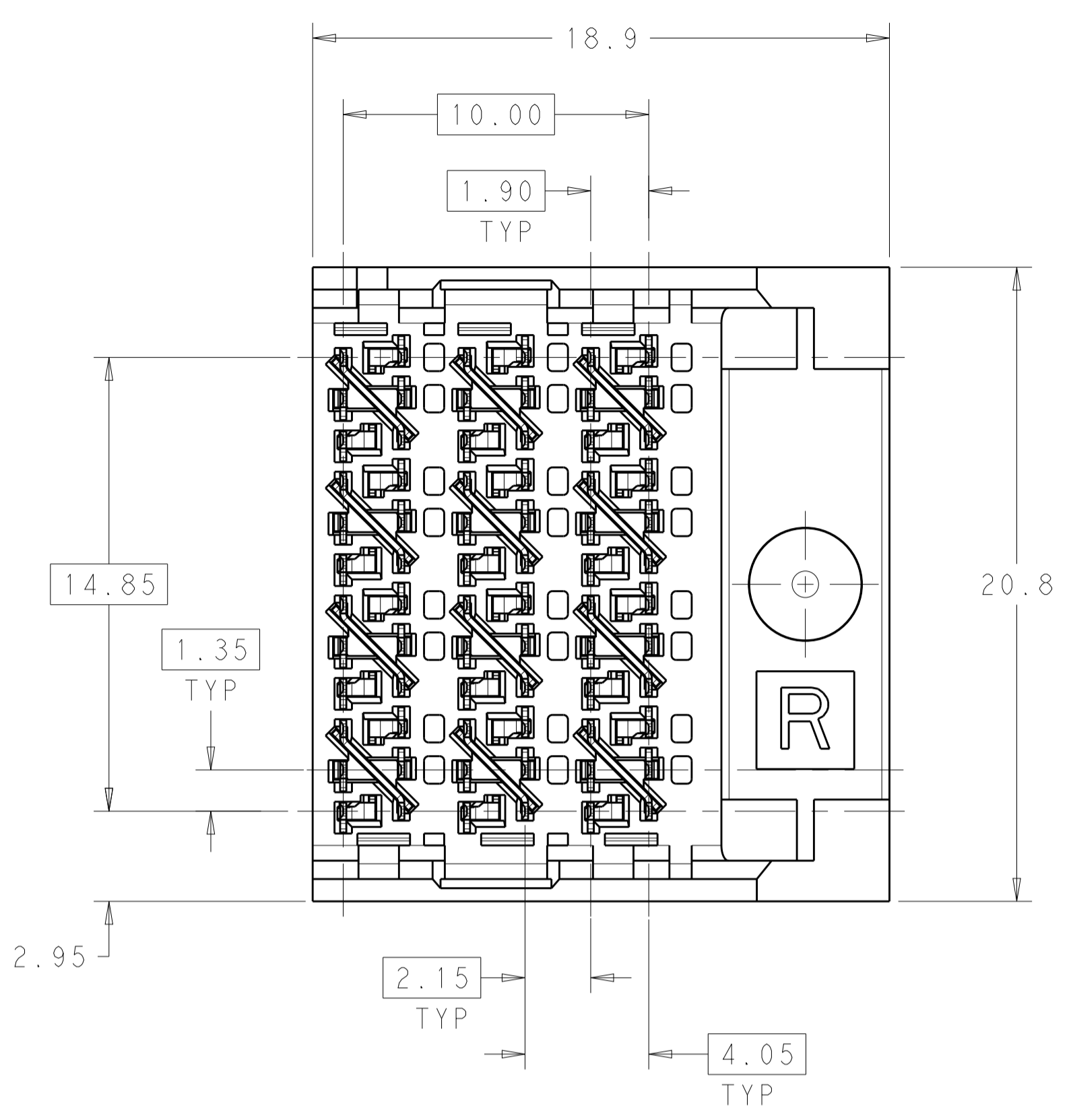
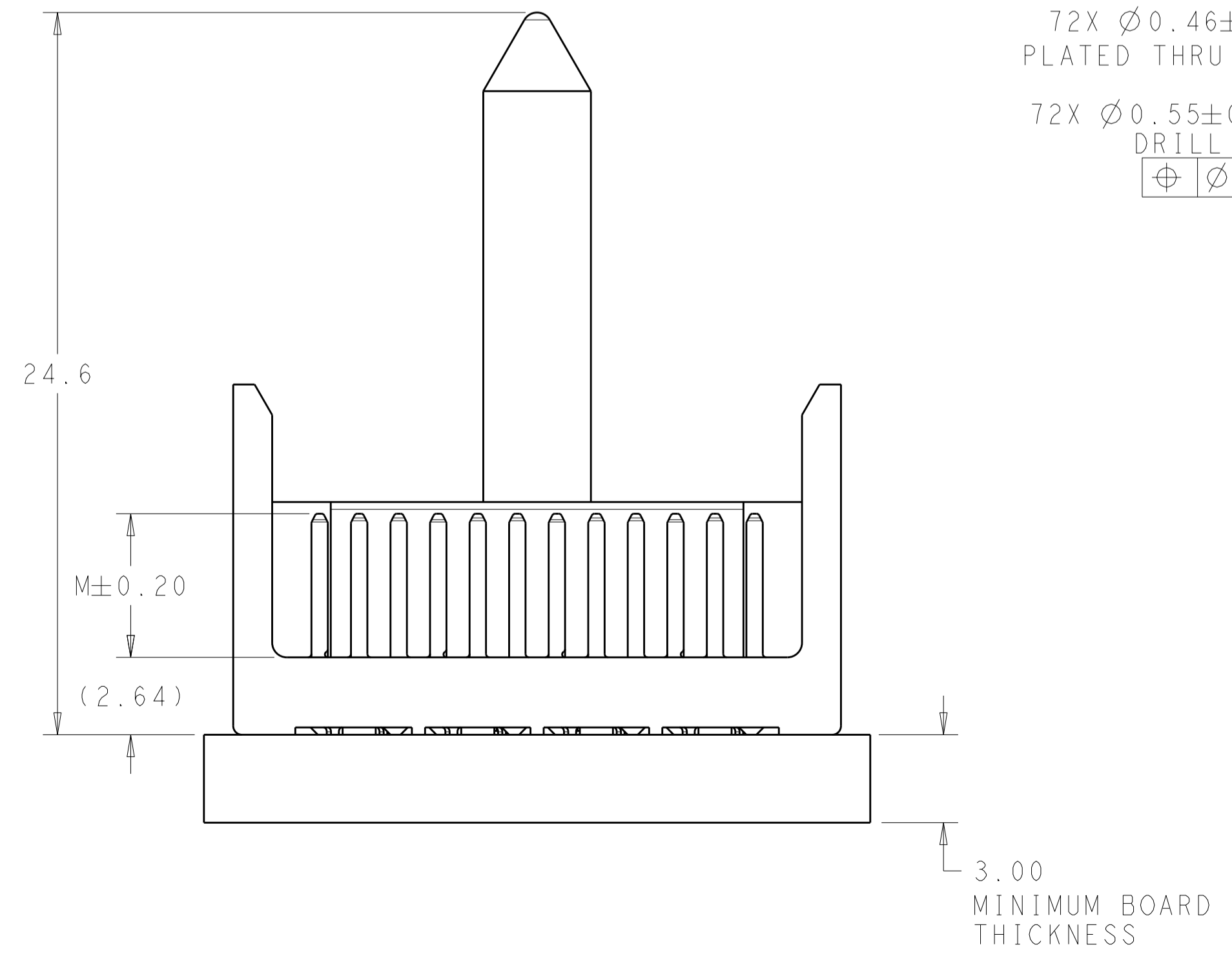
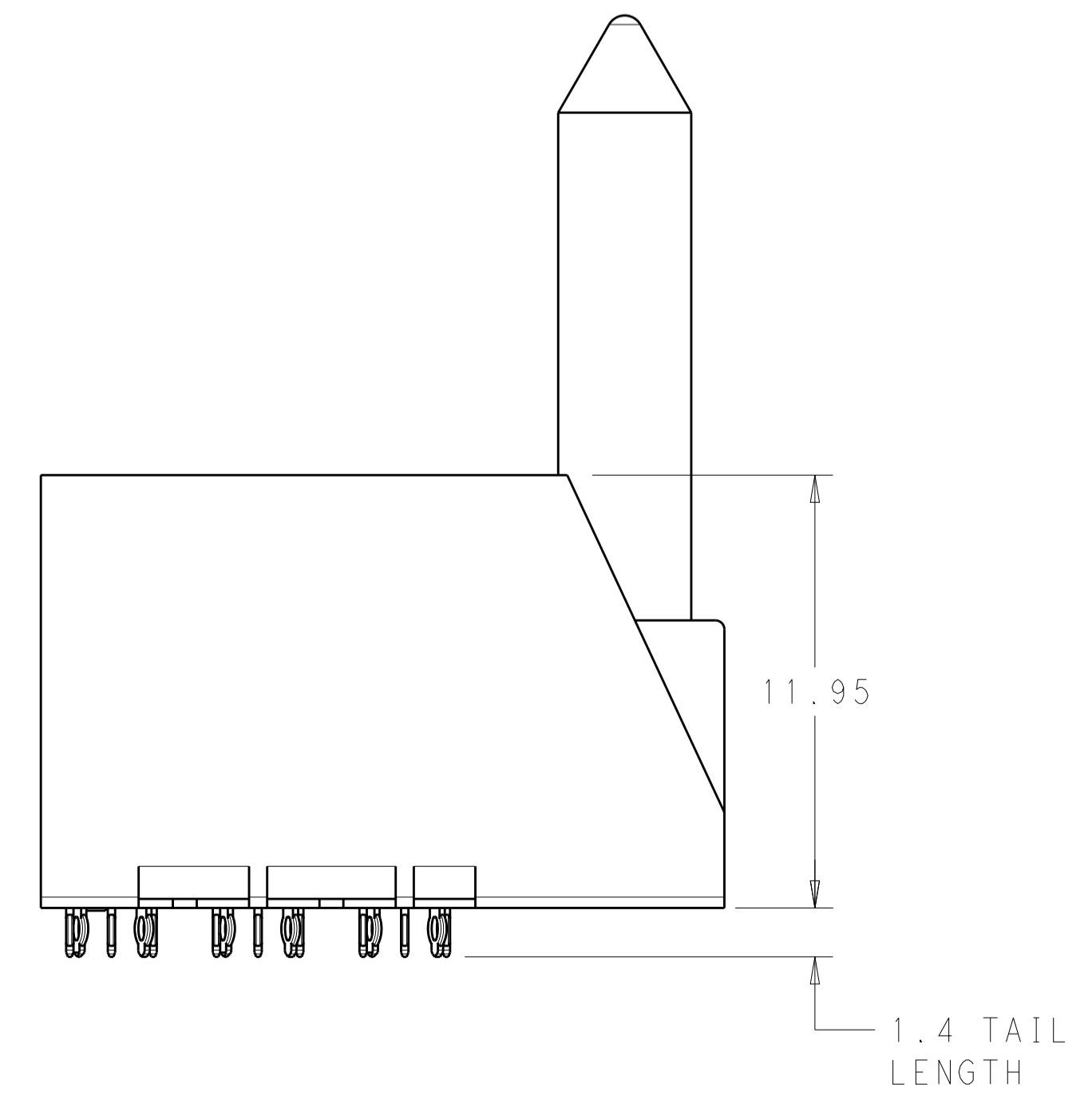
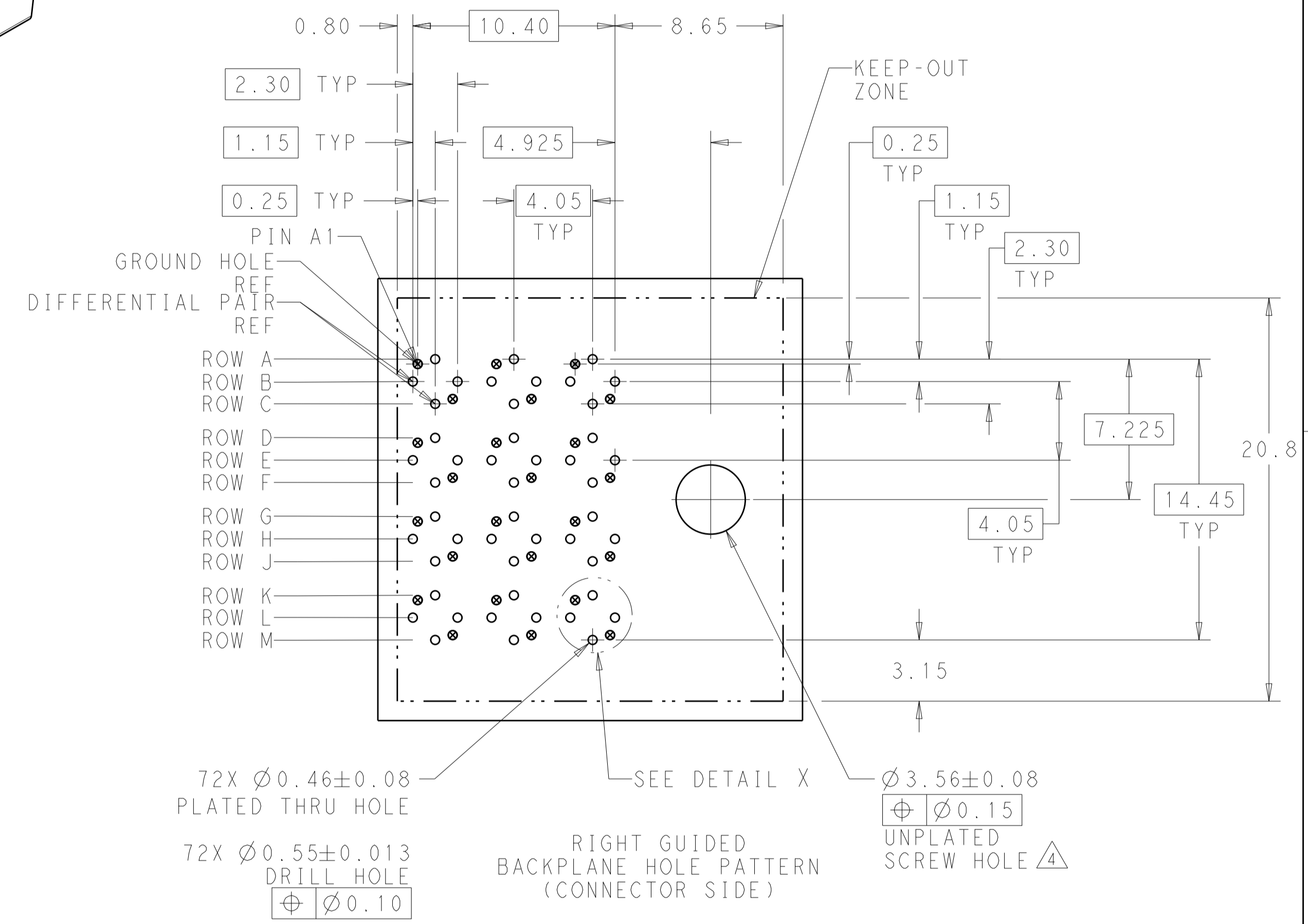
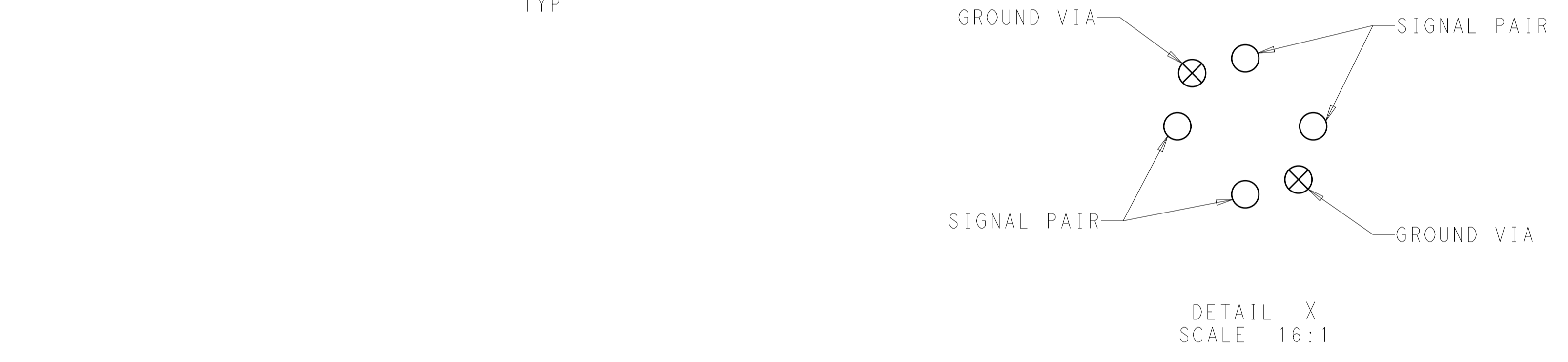


REVISIONS				
P.	LTN	DESCRIPTION	DATE	APPROV
B1		REVISED PER ECO-15-001489	31JAN2015	AP DD



- 1 MATERIAL:  
HOUSING: LCP, GLASS FILLED, UL94V-0.  
TERMINALS: HIGH PERFORMANCE COPPER ALLOY.
- 2 FINISH:  
30µ" MIN GOLD IN CONTACT AREA. SELECTIVE TIN ON PCB TAILS, NICKEL OVERALL.
- 3. SCREWS PACKAGED IN END OF PACKAGING TUBE.
- 4 FOR GROUNDED GUIDE PIN USE  $\varnothing 3.56 \pm 0.08$  PTH,  $\varnothing 3.66$  DRILL, AND  $\varnothing 6.5$  PAD.



REFER TO WWW.TE.COM FOR PRODUCT AVAILABILITY

2	5.5	2132603-2
2	4.9	2132603-1
FINISH	DIM M	PART NUMBER

DIMENSIONS:		TOLERANCES UNLESS OTHERWISE SPECIFIED:		MATERIAL:	
mm	0 PLC	±	0.25	SEE TABLE	SEE TABLE
	1 PLC	±	0.13		
	2 PLC	±	0.13		
	3 PLC	±	0.13		
	4 PLC	±	0.13		
	5 PLC	±	0.13		
	6 PLC	±	0.13		
	7 PLC	±	0.13		
	8 PLC	±	0.13		
	9 PLC	±	0.13		
	10 PLC	±	0.13		
	11 PLC	±	0.13		
	12 PLC	±	0.13		
	13 PLC	±	0.13		
	14 PLC	±	0.13		
	15 PLC	±	0.13		
	16 PLC	±	0.13		
	17 PLC	±	0.13		
	18 PLC	±	0.13		
	19 PLC	±	0.13		
	20 PLC	±	0.13		
	21 PLC	±	0.13		
	22 PLC	±	0.13		
	23 PLC	±	0.13		
	24 PLC	±	0.13		
	25 PLC	±	0.13		
	26 PLC	±	0.13		
	27 PLC	±	0.13		
	28 PLC	±	0.13		
	29 PLC	±	0.13		
	30 PLC	±	0.13		
	31 PLC	±	0.13		
	32 PLC	±	0.13		
	33 PLC	±	0.13		
	34 PLC	±	0.13		
	35 PLC	±	0.13		
	36 PLC	±	0.13		
	37 PLC	±	0.13		
	38 PLC	±	0.13		
	39 PLC	±	0.13		
	40 PLC	±	0.13		
	41 PLC	±	0.13		
	42 PLC	±	0.13		
	43 PLC	±	0.13		
	44 PLC	±	0.13		
	45 PLC	±	0.13		
	46 PLC	±	0.13		
	47 PLC	±	0.13		
	48 PLC	±	0.13		
	49 PLC	±	0.13		
	50 PLC	±	0.13		
	51 PLC	±	0.13		
	52 PLC	±	0.13		
	53 PLC	±	0.13		
	54 PLC	±	0.13		
	55 PLC	±	0.13		
	56 PLC	±	0.13		
	57 PLC	±	0.13		
	58 PLC	±	0.13		
	59 PLC	±	0.13		
	60 PLC	±	0.13		
	61 PLC	±	0.13		
	62 PLC	±	0.13		
	63 PLC	±	0.13		
	64 PLC	±	0.13		
	65 PLC	±	0.13		
	66 PLC	±	0.13		
	67 PLC	±	0.13		
	68 PLC	±	0.13		
	69 PLC	±	0.13		
	70 PLC	±	0.13		
	71 PLC	±	0.13		
	72 PLC	±	0.13		
	73 PLC	±	0.13		
	74 PLC	±	0.13		
	75 PLC	±	0.13		
	76 PLC	±	0.13		
	77 PLC	±	0.13		
	78 PLC	±	0.13		
	79 PLC	±	0.13		
	80 PLC	±	0.13		
	81 PLC	±	0.13		
	82 PLC	±	0.13		
	83 PLC	±	0.13		
	84 PLC	±	0.13		
	85 PLC	±	0.13		
	86 PLC	±	0.13		
	87 PLC	±	0.13		
	88 PLC	±	0.13		
	89 PLC	±	0.13		
	90 PLC	±	0.13		
	91 PLC	±	0.13		
	92 PLC	±	0.13		
	93 PLC	±	0.13		
	94 PLC	±	0.13		
	95 PLC	±	0.13		
	96 PLC	±	0.13		
	97 PLC	±	0.13		
	98 PLC	±	0.13		
	99 PLC	±	0.13		
	100 PLC	±	0.13		