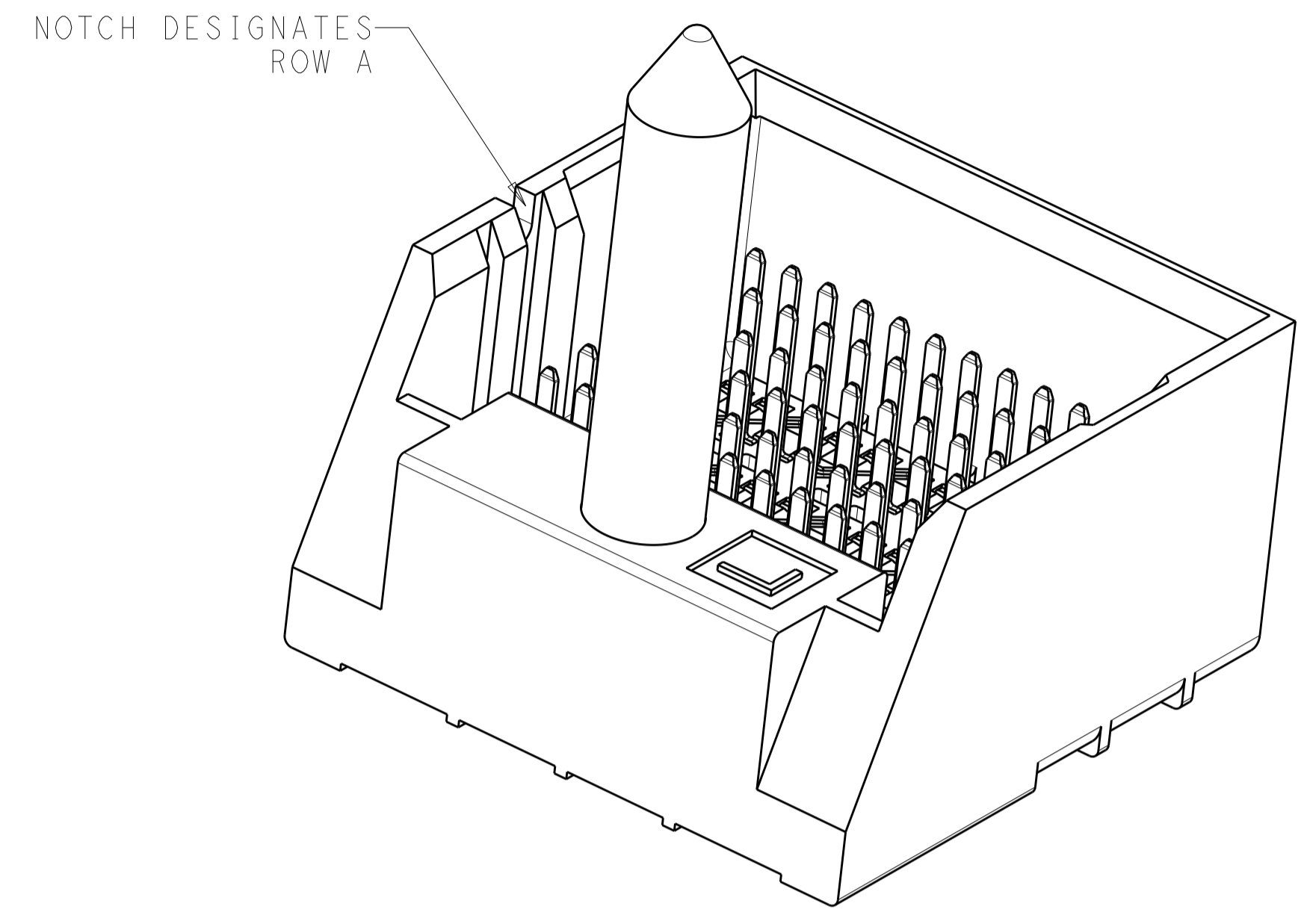
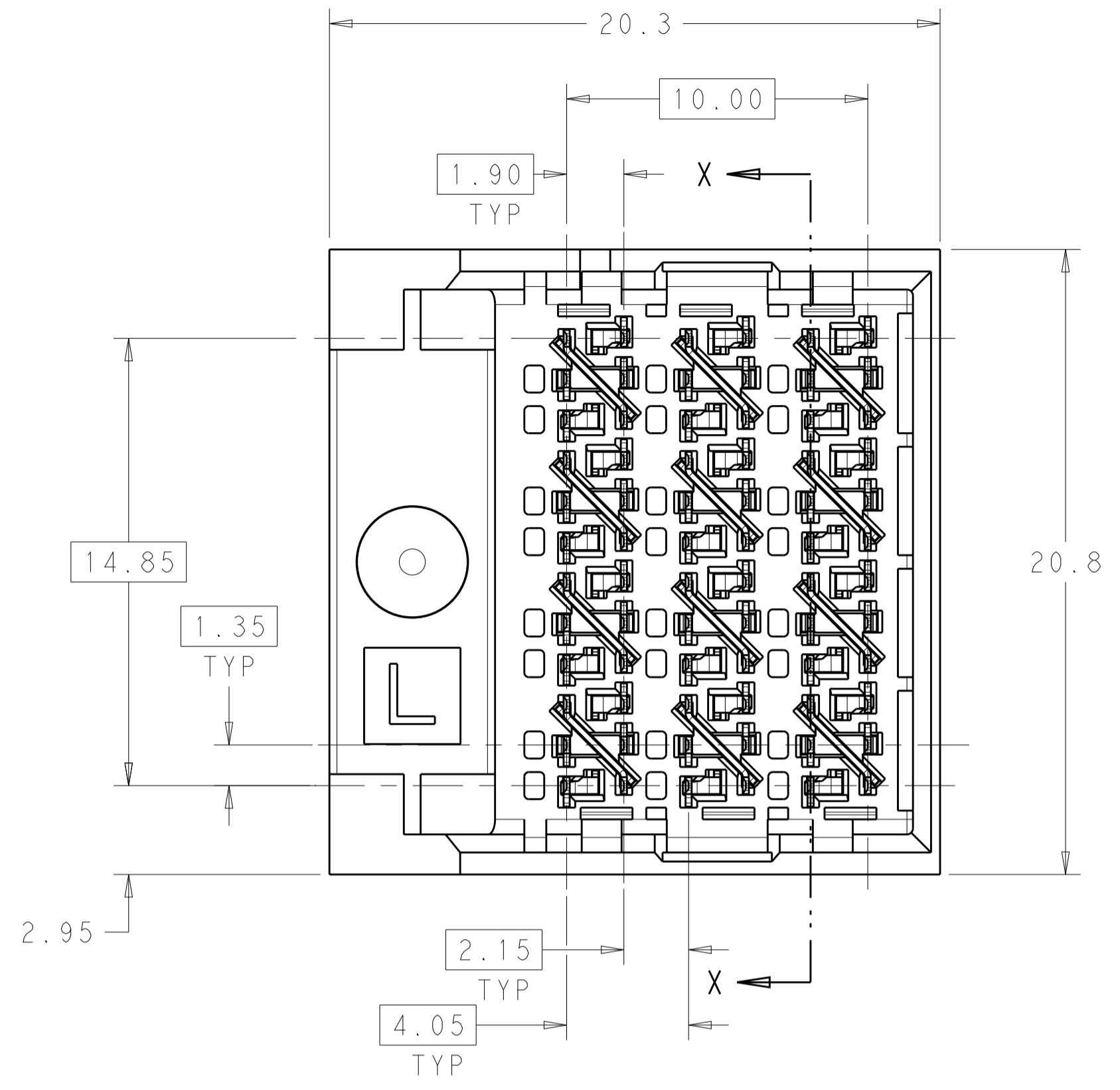
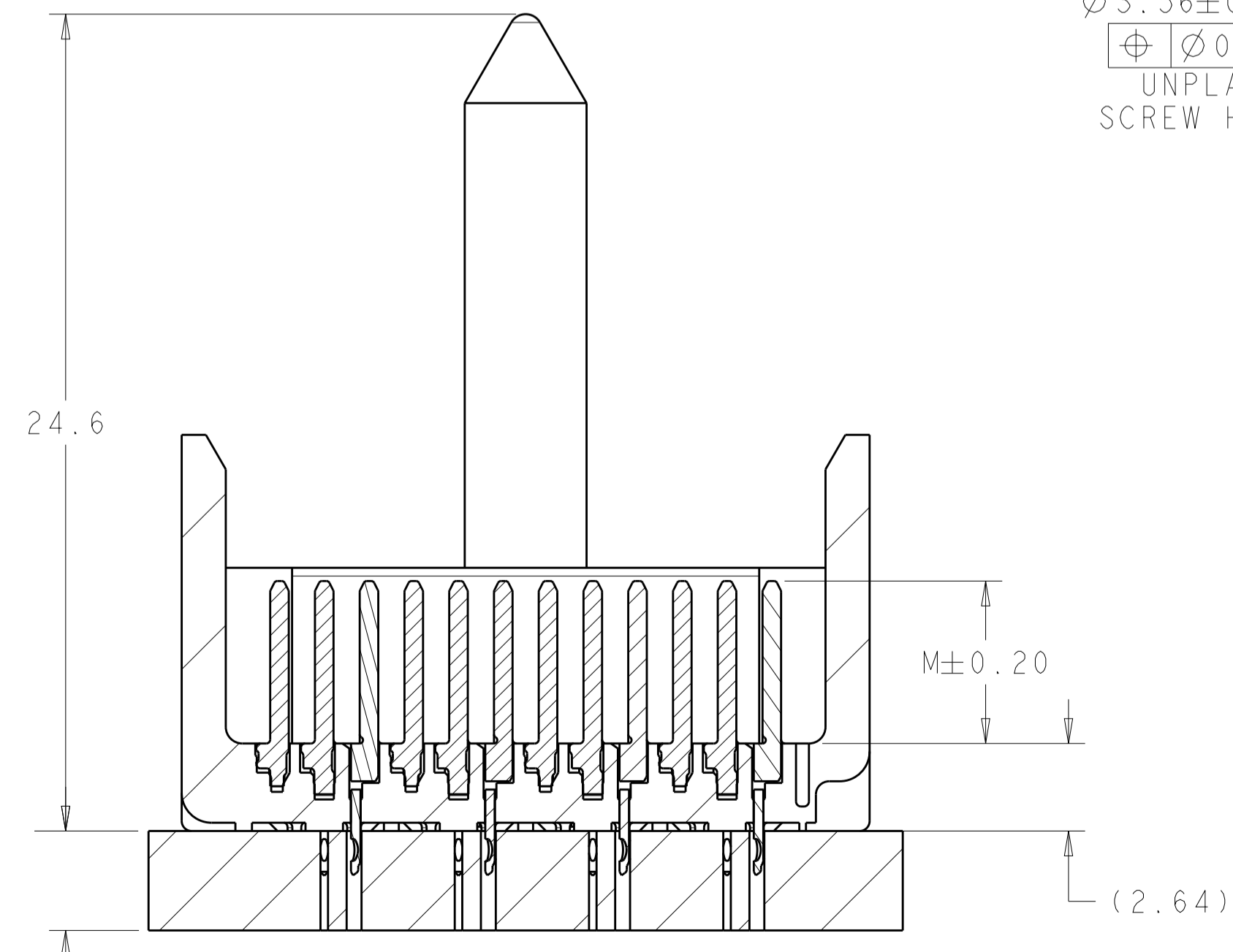
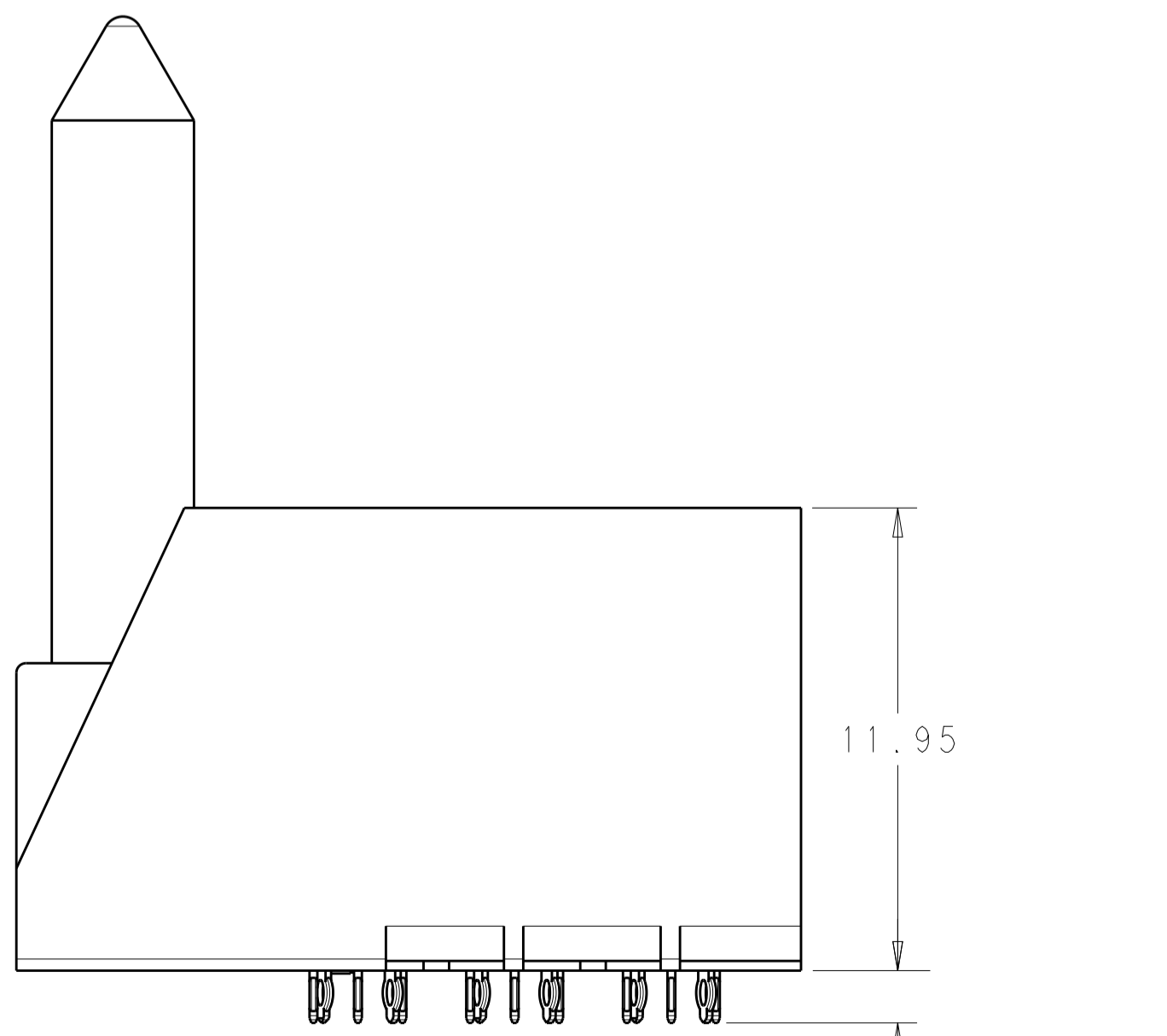
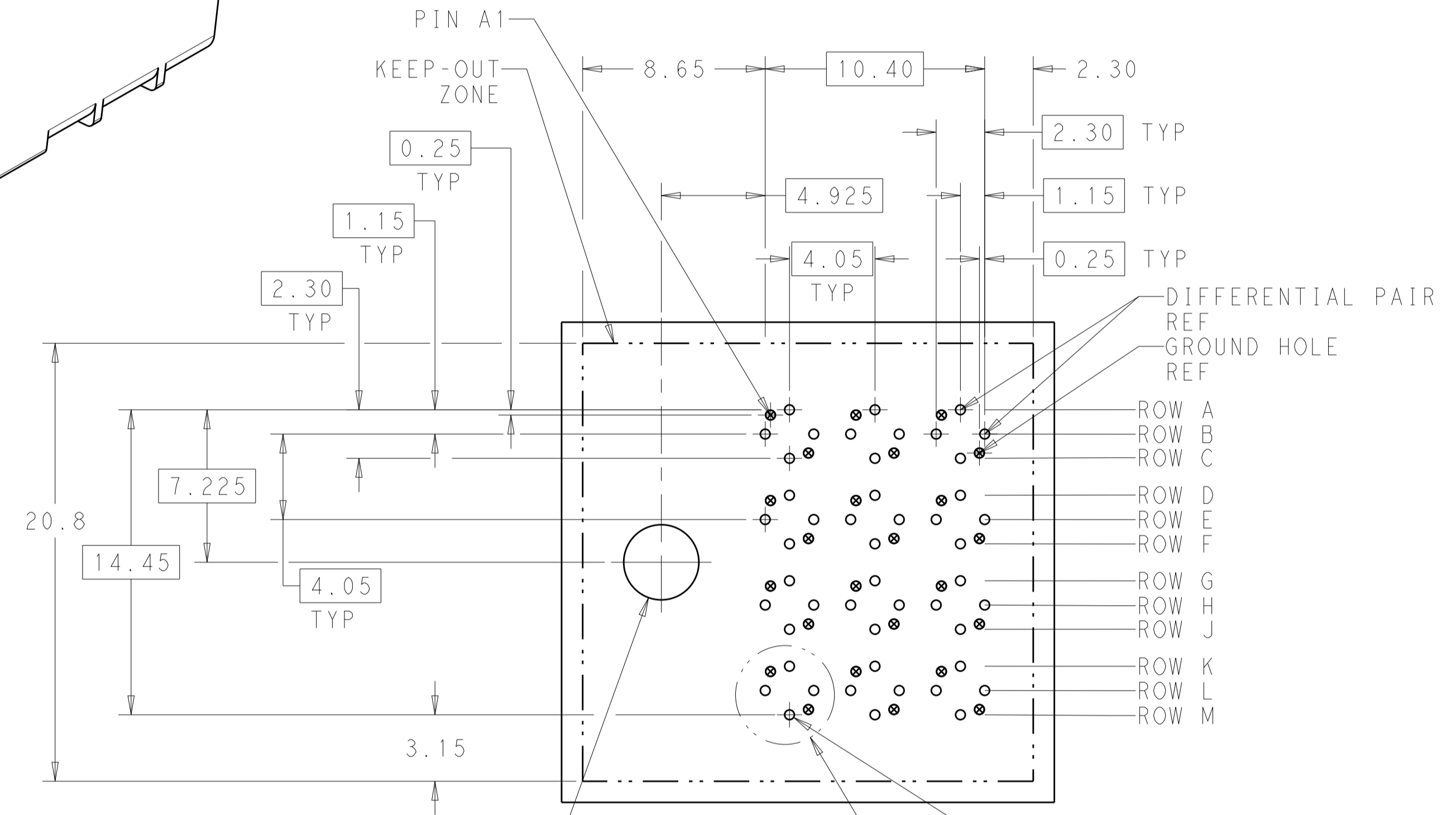
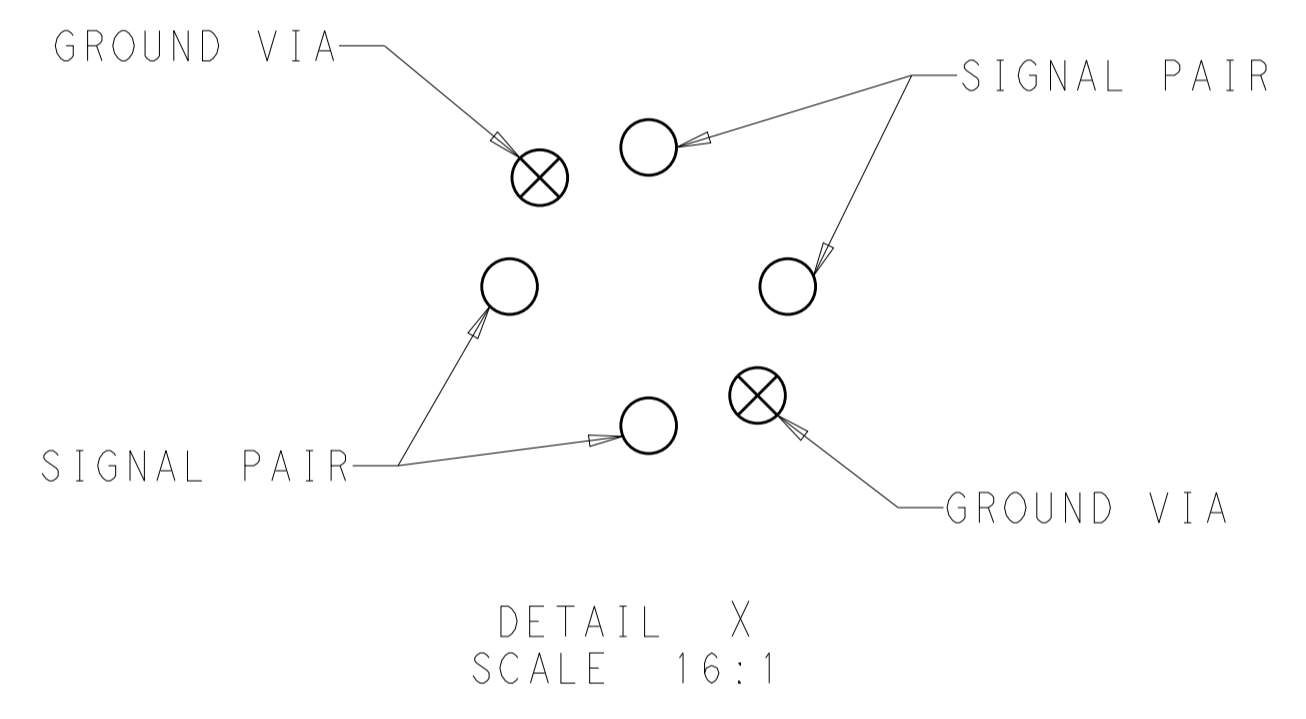


REVISIONS				
P.	LTN	DESCRIPTION	DATE	OWN APVD
B1		REVISED PER ECO-15-001489	31JAN2015	AP DD



- ⚠ MATERIAL:
HOUSING: LCP, GLASS FILLED, UL94V-0.
TERMINALS: HIGH PERFORMANCE COPPER ALLOY.
- ⚠ FINISH:
30µ" MIN GOLD IN CONTACT AREA. SELECTIVE TIN ON PCB TAILS, NICKEL OVERALL.
- 3. SCREWS PACKAGED IN END OF PACKAGING TUBE.
- ⚠ FOR GROUNDED GUIDE PIN USE $\varnothing 3.56 \pm 0.08$ PTH, $\varnothing 3.66$ DRILL, AND $\varnothing 6.5$ PAD.



REFER TO WWW.TE.COM FOR PRODUCT AVAILABILITY

FINISH	5.5	2132602-2
DIM M	4.9	2132602-1
PART NUMBER		

THIS DRAWING IS A CONTROLLED DOCUMENT.		OWN: KIRAN HOLH 09APR2013	NAME: IMPACT, ORTHOGONAL, 4 PAIR, 6 COLUMN HEADER, LEFT GUIDED, RIGHT END WALL SIGNAL MODULE, 0.46 PTH
DIMENSIONS: mm		CHK: D.DIXON 09APR2013	PRODUCT SPEC: -
TOLERANCES UNLESS OTHERWISE SPECIFIED:		APVD: D.DIXON 09APR2013	APPLICATION SPEC: -
0 PLC ±		SIZE: -	RESTRICTED TO: -
1 PLC ±0.25		WEIGHT: -	SCALE: 6:1
2 PLC ±0.13		Customer Drawing	SHEET 1 OF 1
3 PLC ±			REV: B1
4 PLC ±			
ANGLES ±			
FINISH: SEE TABLE			