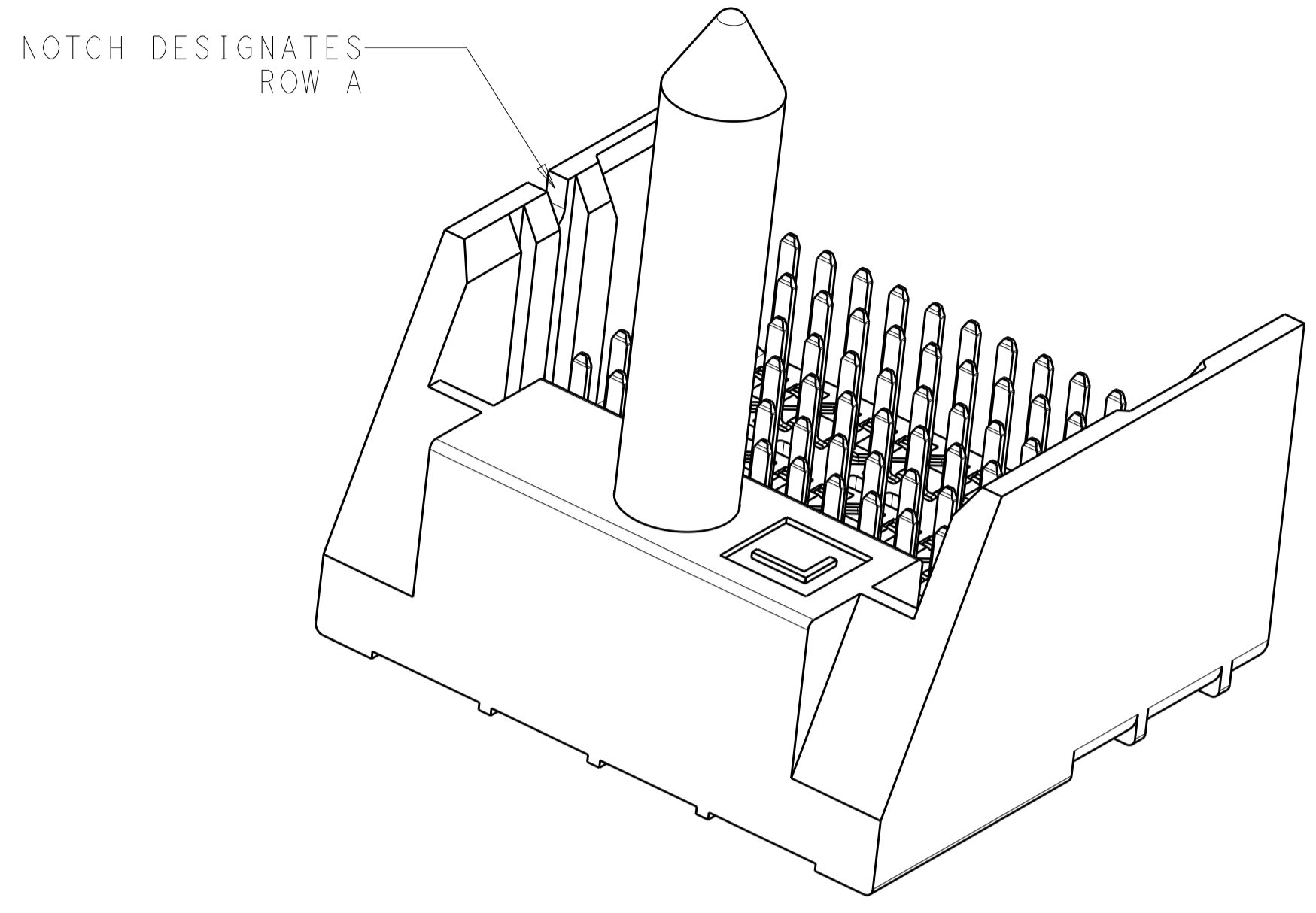
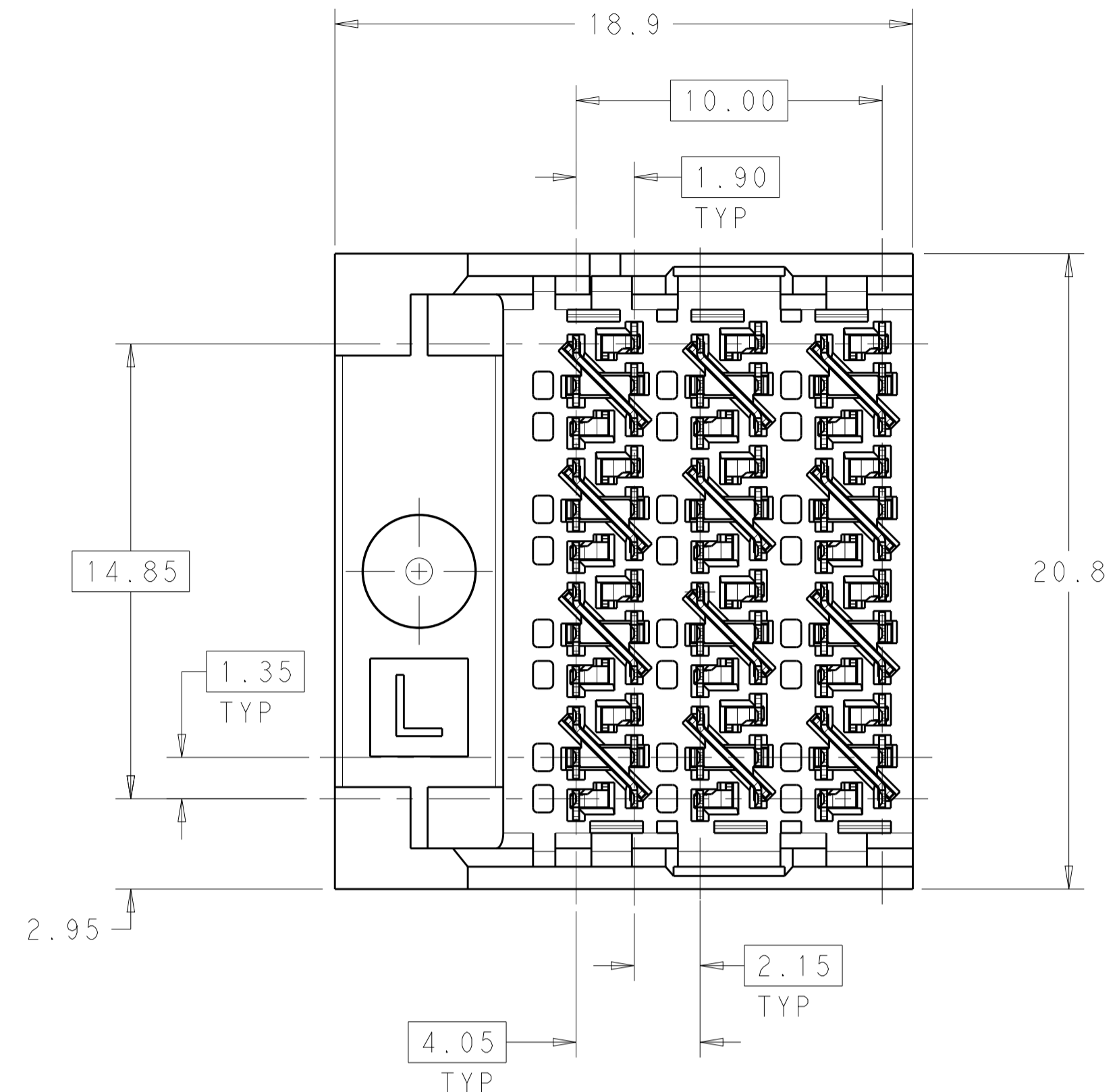
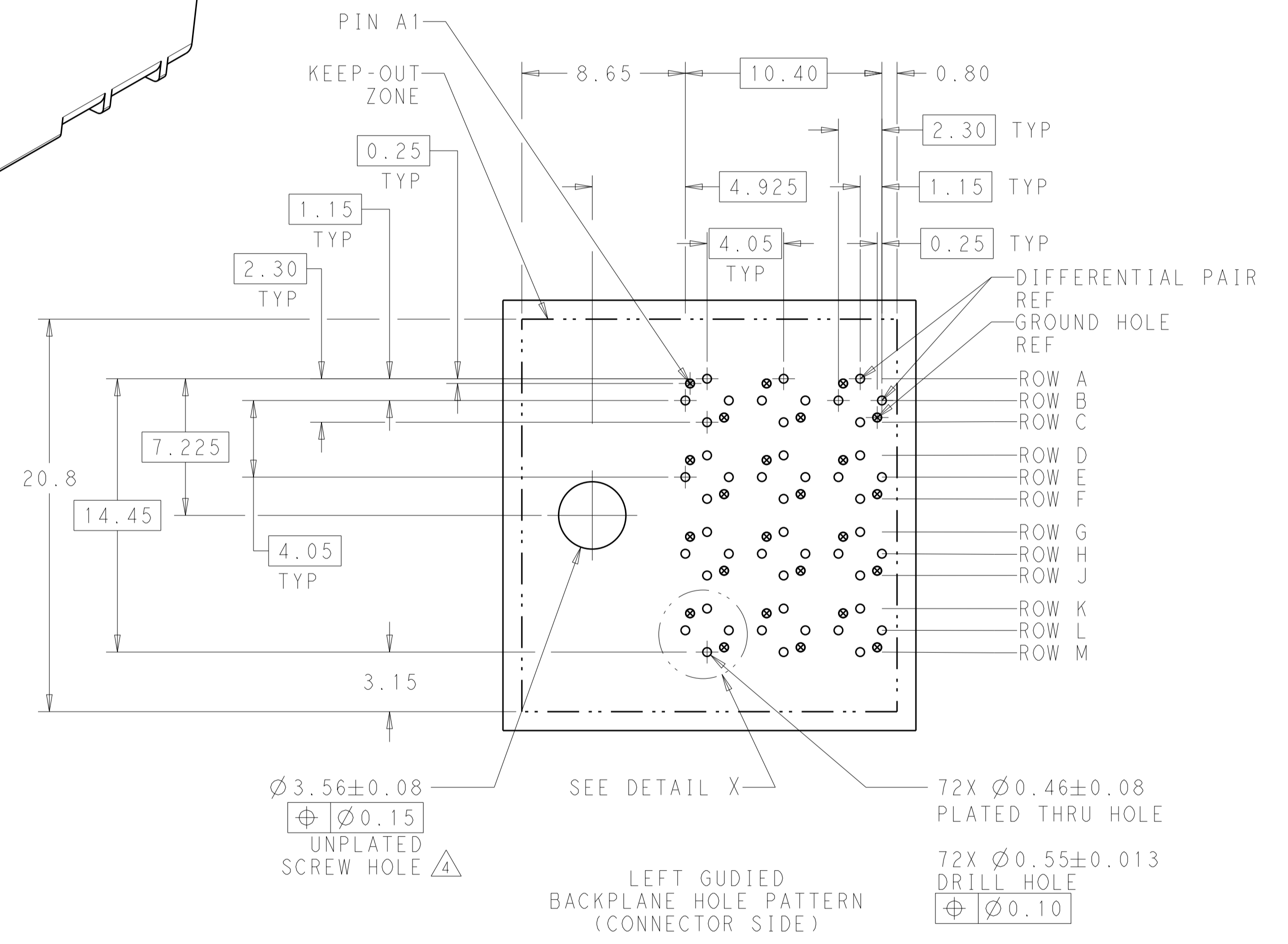
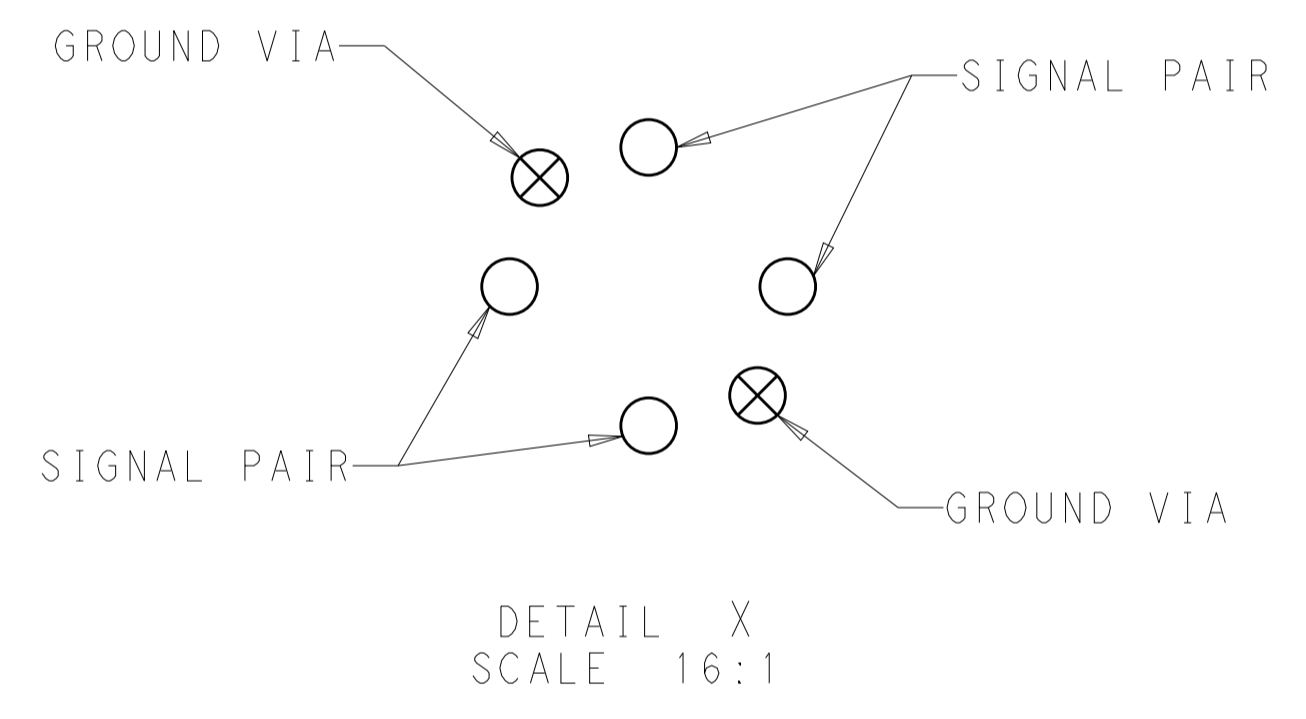


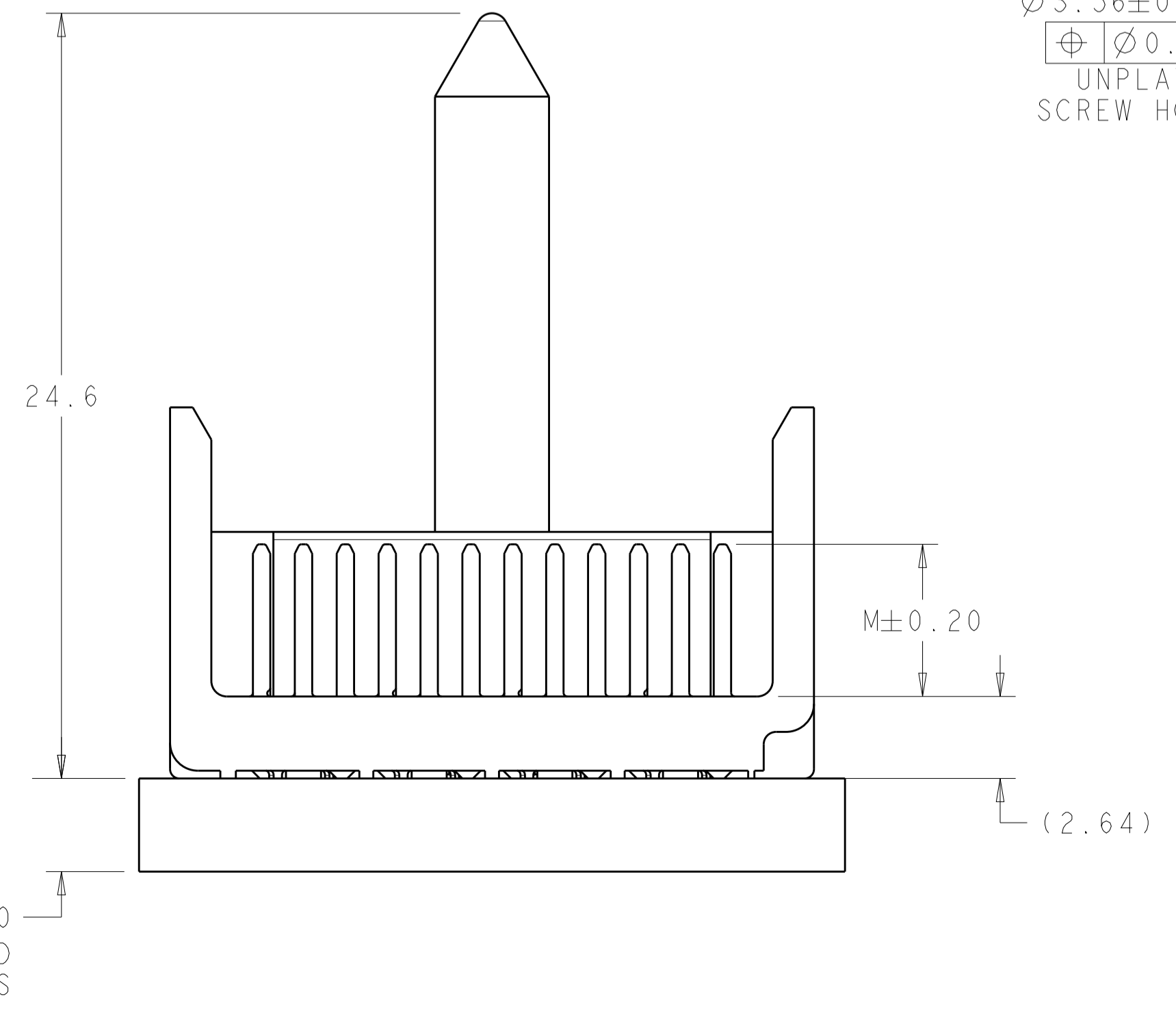
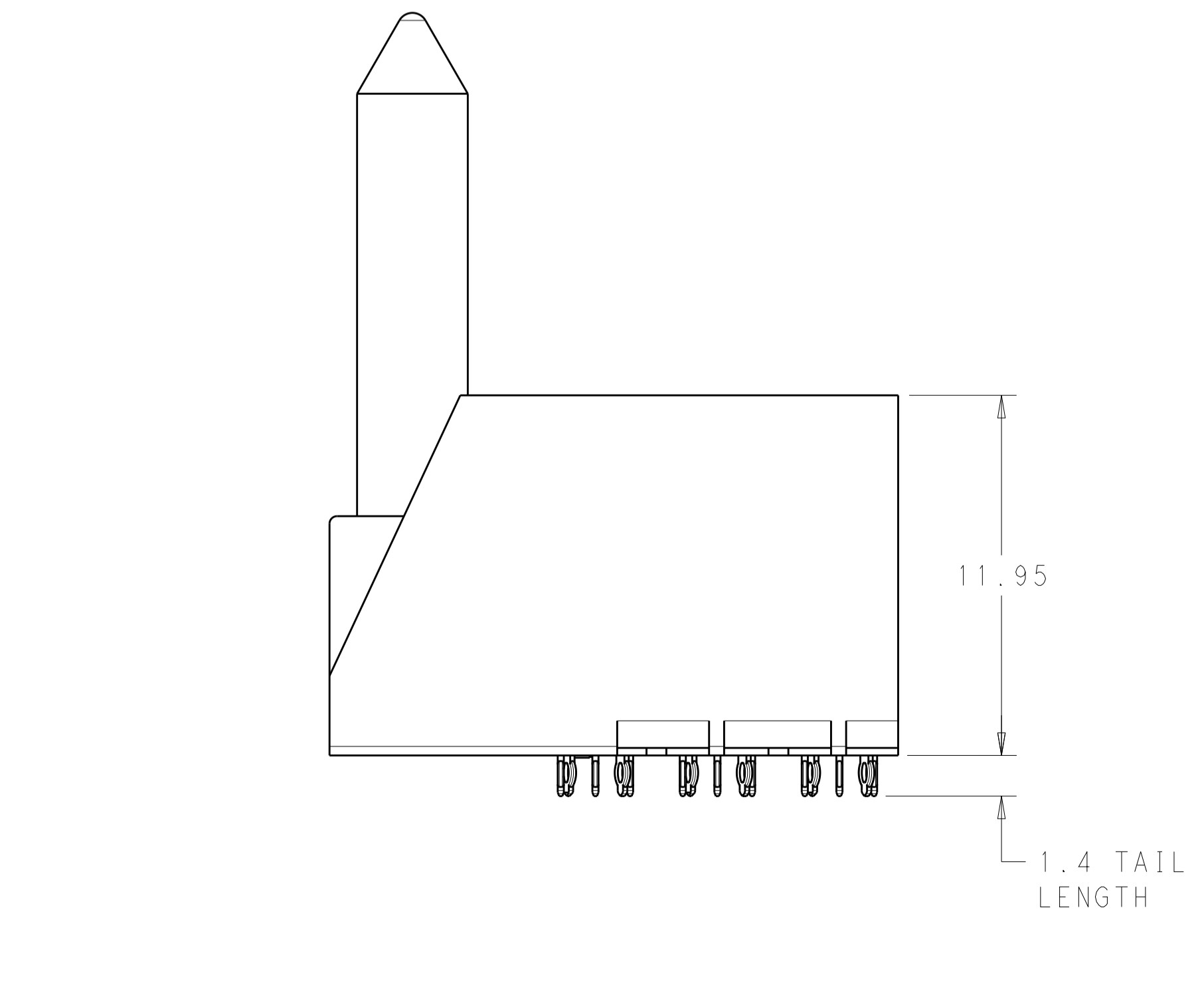
REVISIONS				
P.	LTN	DESCRIPTION	DATE	APVD
B1		REVISED PER ECO-15-001489	31JAN2015	AP DD



- 1 MATERIAL:  
HOUSING: LCP, GLASS FILLED, UL94V-0.  
TERMINALS: HIGH PERFORMANCE COPPER ALLOY.
- 2 FINISH:  
30μ" MIN GOLD IN CONTACT AREA. SELECTIVE TIN ON PCB TAILS, NICKEL OVERALL.
- 3. SCREWS PACKAGED IN END OF PACKAGING TUBE.
- 4 FOR GROUNDED GUIDE PIN USE  $\varnothing 3.56 \pm 0.08$  PTH,  $\varnothing 3.66$  DRILL, AND  $\varnothing 6.5$  PAD.



REFER TO WWW.TE.COM FOR PRODUCT AVAILABILITY



FINISH	5.5	2132601-2
DIM M	4.9	2132601-1
PART NUMBER		

THIS DRAWING IS A CONTROLLED DOCUMENT.		OWN: KIRAN HOLAL 09APR2013	TE Connectivity
DIMENSIONS: mm		CHK: D. DIXON 09APR2013	
TOLERANCES UNLESS OTHERWISE SPECIFIED:		APVD: D. DIXON 09APR2013	NAME: IMPACT, ORTHOGONAL, 4 PAIR, 6 COLUMN HEADER, LEFT GUIDED, OPEN END WALL SIGNAL MODULE, 0.46 PTH
0 PLC ±0.25		PRODUCT SPEC	
1 PLC ±0.13		APPLICATION SPEC	SIZE: CAGE CODE DRAWING NO: A100779 ©=2132601
2 PLC ±0.10		RESTRICTED TO	
3 PLC ±0.08		WEIGHT	SCALE: 6:1 SHEET 1 OF 1 REV: B1
4 PLC ±0.05		Customer Drawing	
ANGLES			
FINISH			
SEE TABLE			