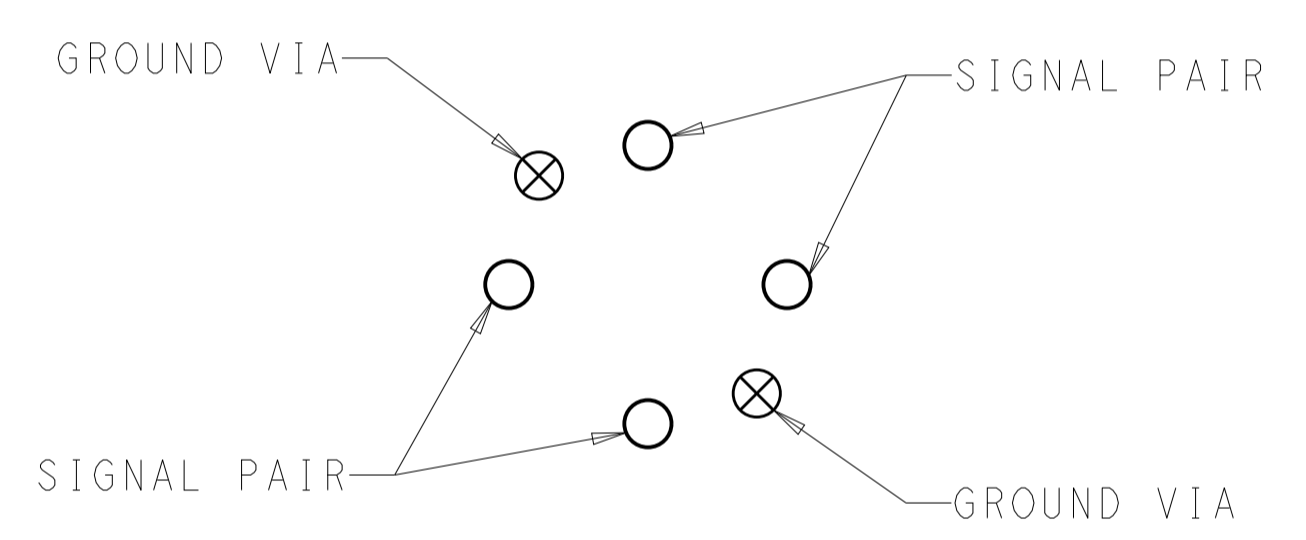
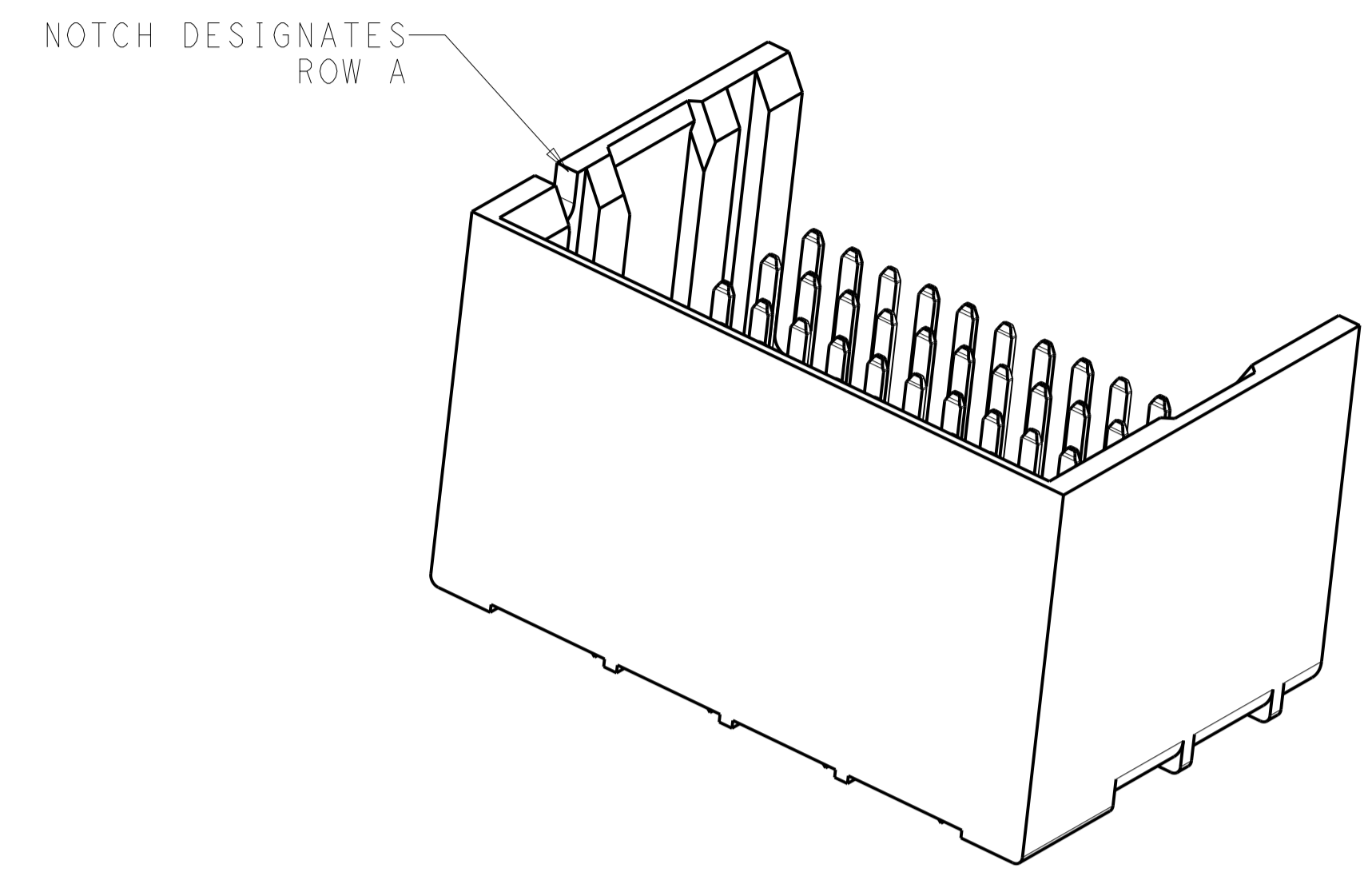
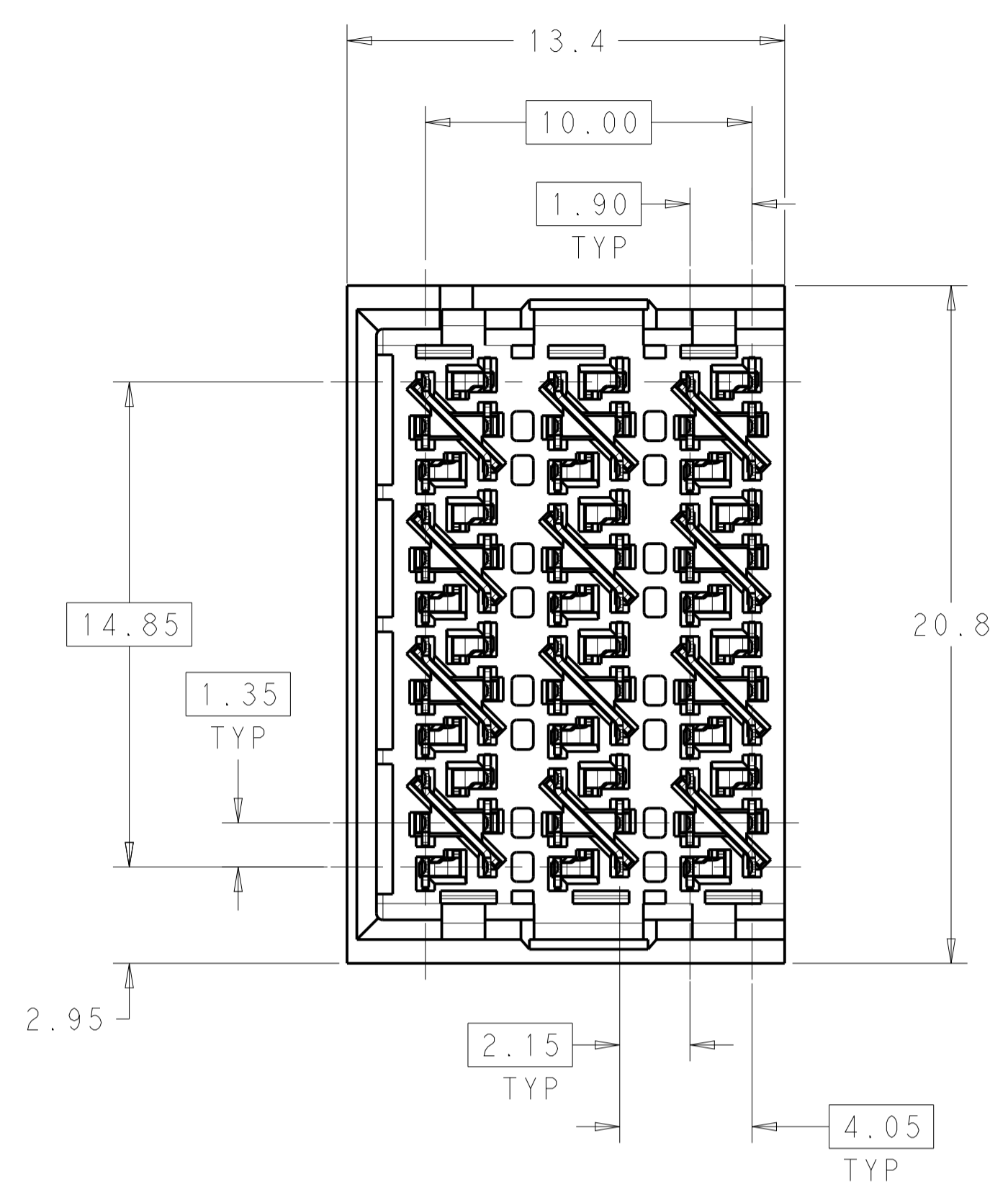


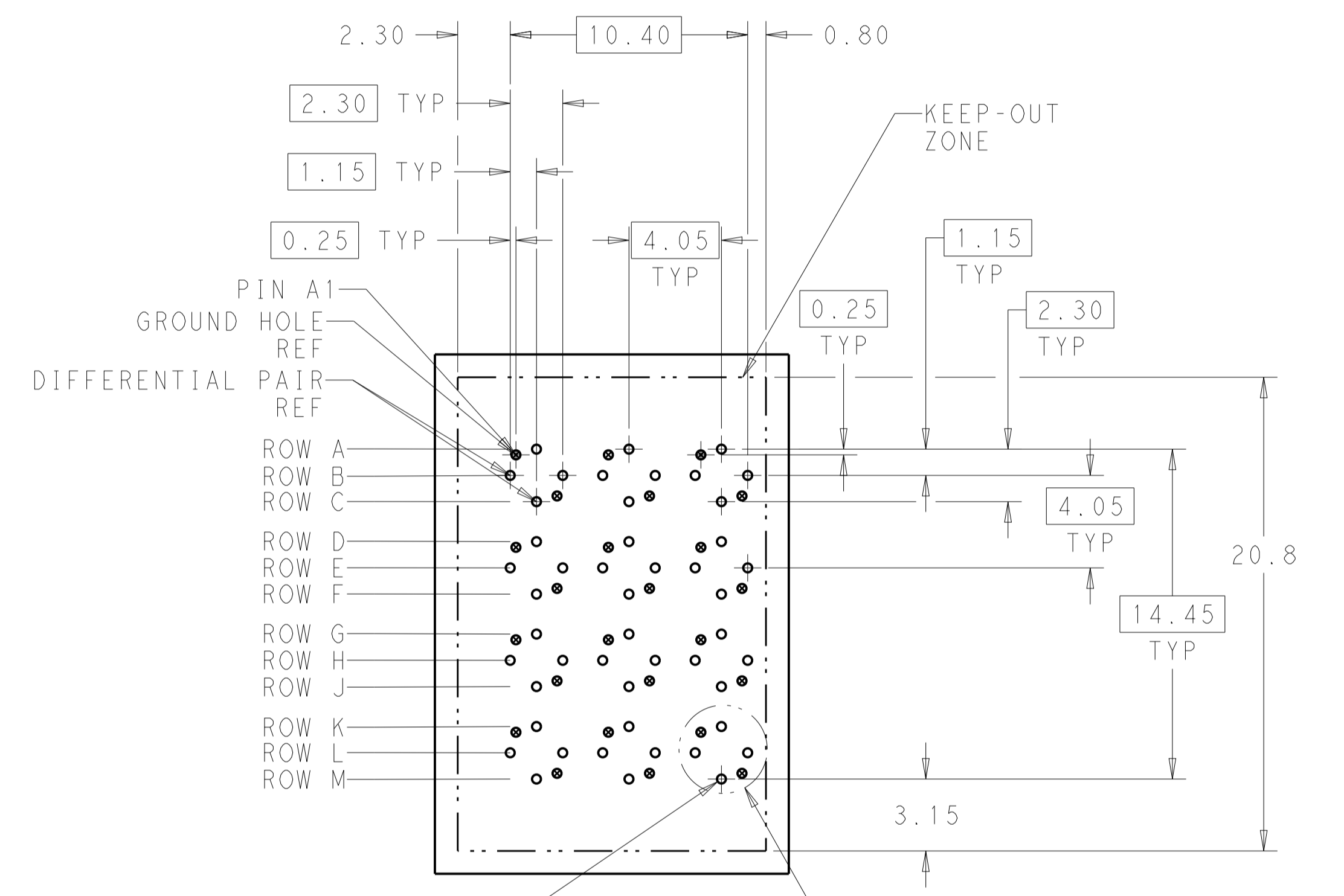
REVISIONS				
REV	LTN	DESCRIPTION	DATE	APVD
C		REVISED PER ECO-14-013271	06SEP2014	AP DD



DETAIL X  
SCALE 16:1

△ MATERIAL:  
HOUSING: LCP, GLASS FILLED, UL94V-0.  
TERMINALS: HIGH PERFORMANCE COPPER ALLOY.

△ FINISH:  
30µ" MIN GOLD IN CONTACT AREA. SELECTIVE TIN ON PCB TAILS, NICKEL OVERALL.



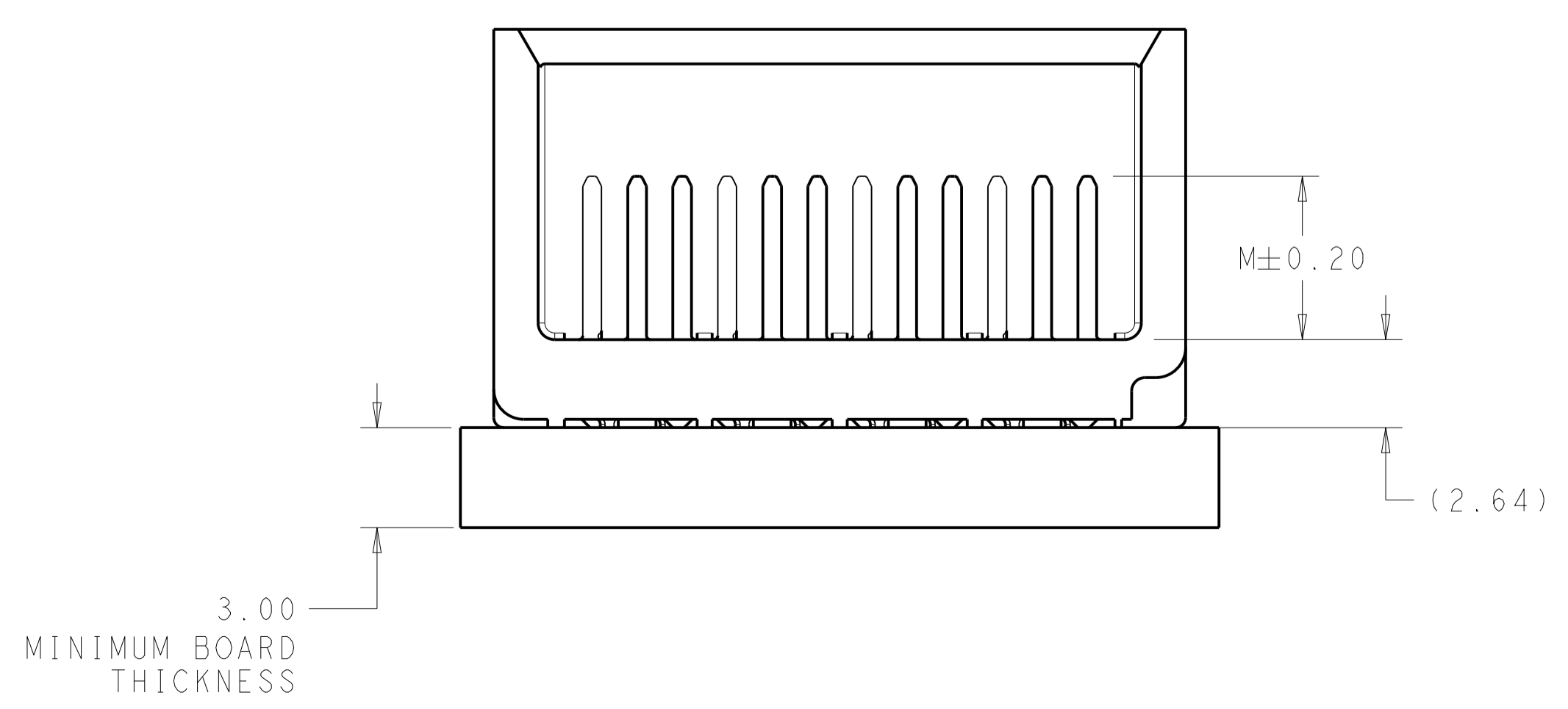
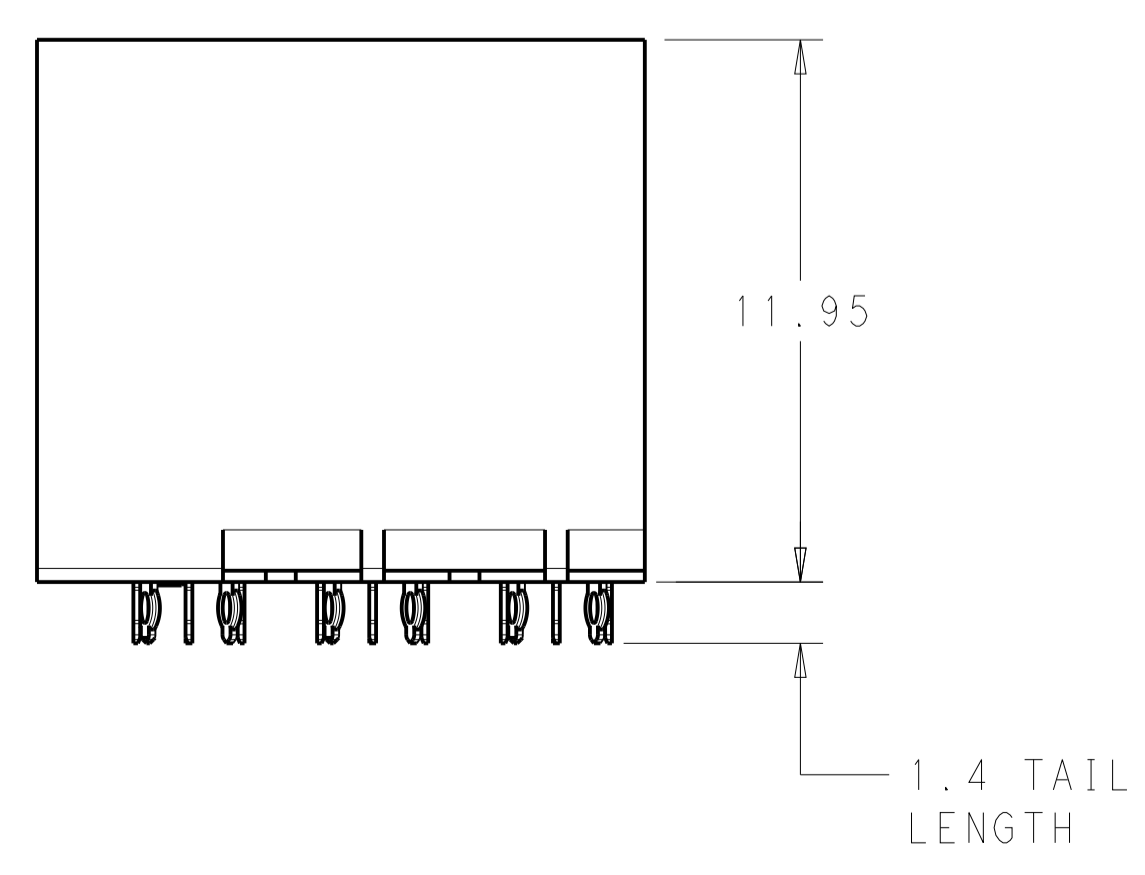
72X  $\varnothing 0.39 \pm 0.08$   
PLATED THRU HOLE

72X  $\varnothing 0.48 \pm 0.013$   
DRILL HOLE

$\varnothing 0.10$

UNGUIDED  
BACKPLANE HOLE PATTERN  
(CONNECTOR SIDE)

REFER TO WWW.TE.COM  
FOR PRODUCT AVAILABILITY



△	5.5	2132598-2
△	4.9	2132598-1
FINISH	DIM M	PART NUMBER

THIS DRAWING IS A CONTROLLED DOCUMENT.		OWN: KIRAN HOLAL 05APR2013	TE Connectivity	
DIMENSIONS: mm		CHK: D. DIXON 05APR2013	NAME: IMPACT, ORTHOGONAL, 4 PAIR, 6 COLUMN HEADER, UNGUIDED, LEFT END WALL SIGNAL MODULE, 0.39 PTH	
TOLERANCES UNLESS OTHERWISE SPECIFIED:		APVD: D. DIXON 05APR2013	SIZE: CAGE CODE DRAWING NO. RESTRICTED TO	
0 PLC ±		PRODUCT SPEC	A100779C=2132598	
1 PLC ±0.25		APPLICATION SPEC	SCALE 6:1 SHEET 1 OF 1 REV C	
2 PLC ±0.13		WEIGHT		
3 PLC ±		CUSTOMER DRAWING		
4 PLC ±				
ANGLES ±				
FINISH SEE TABLE				