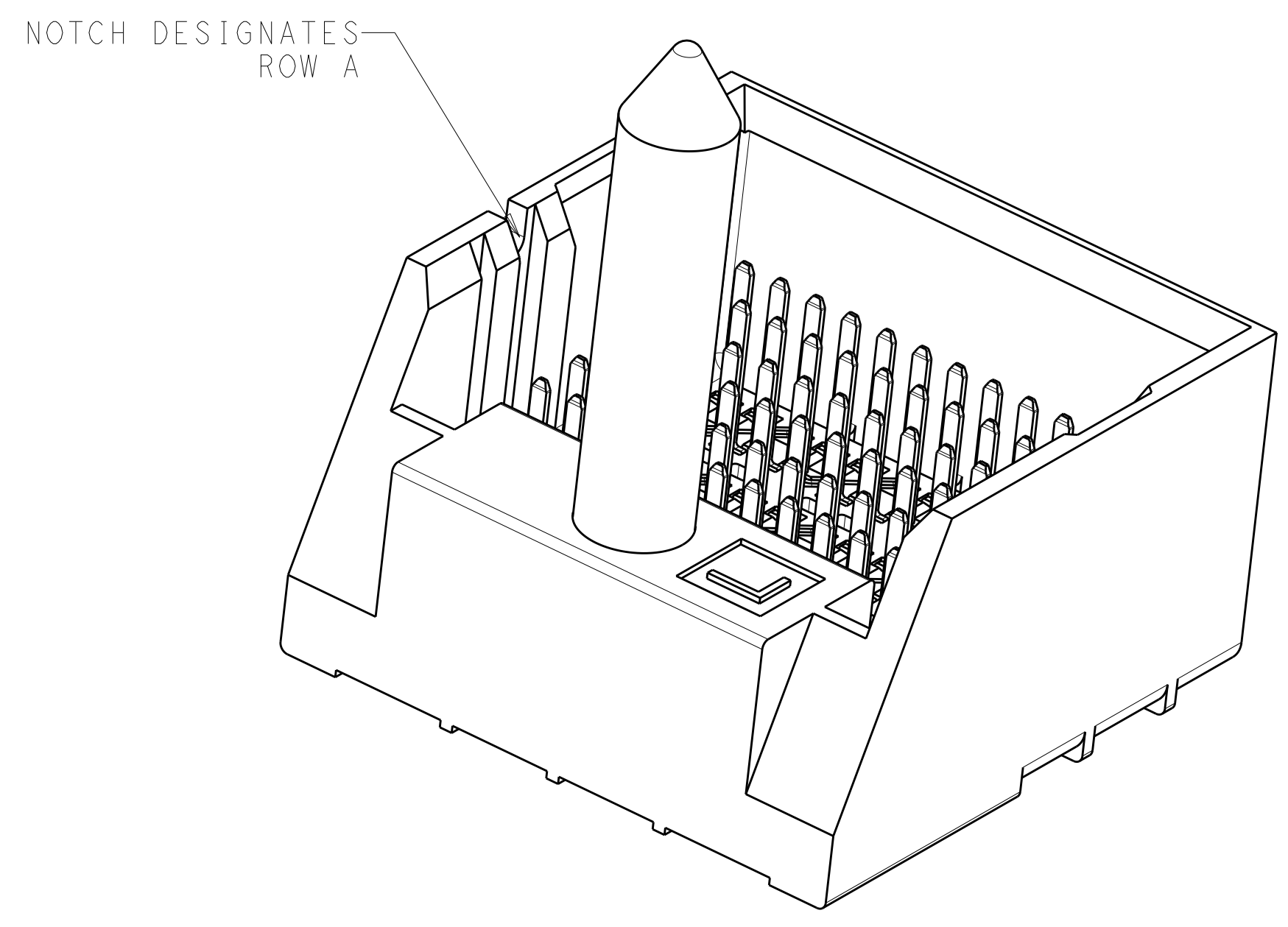
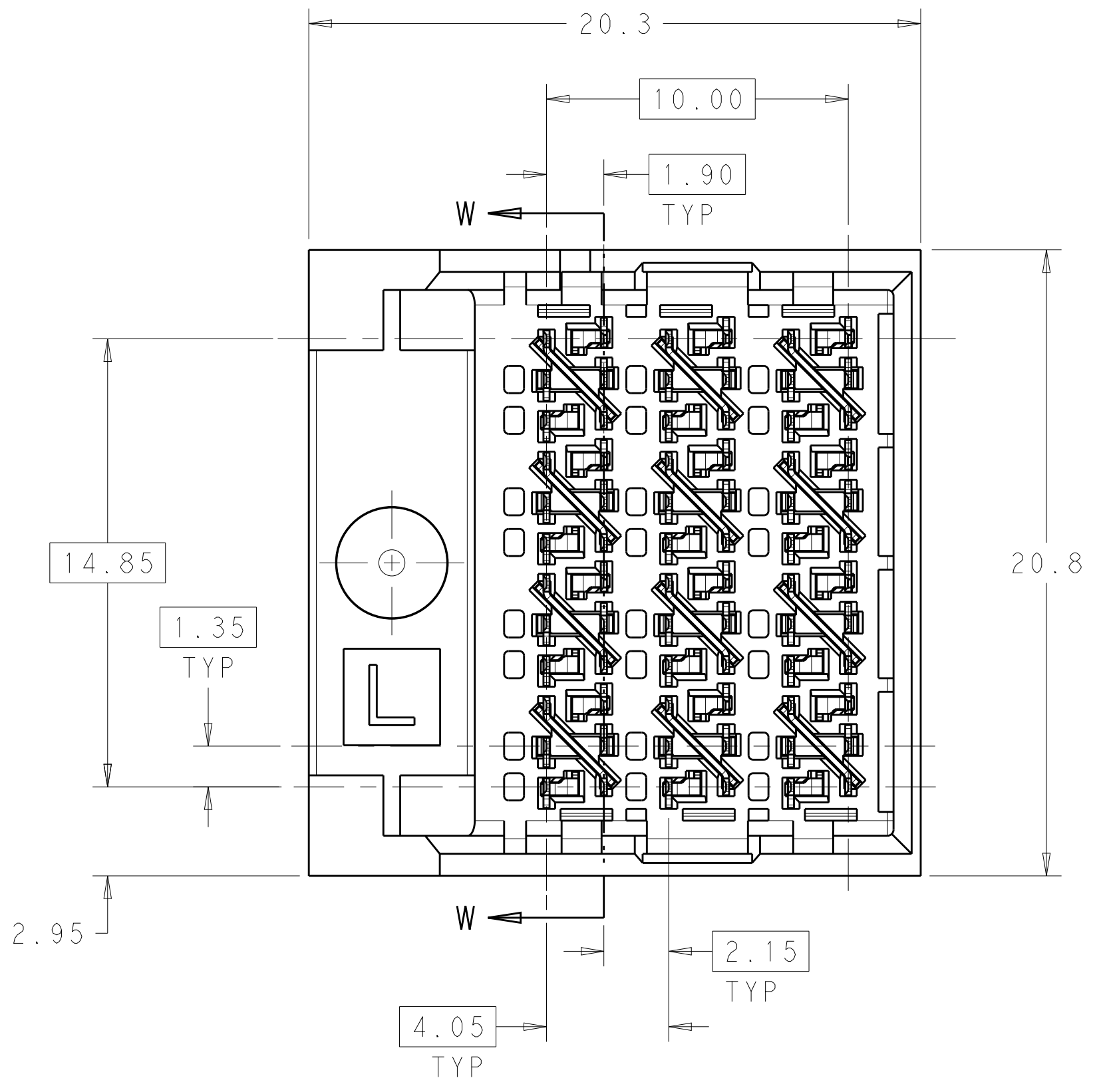
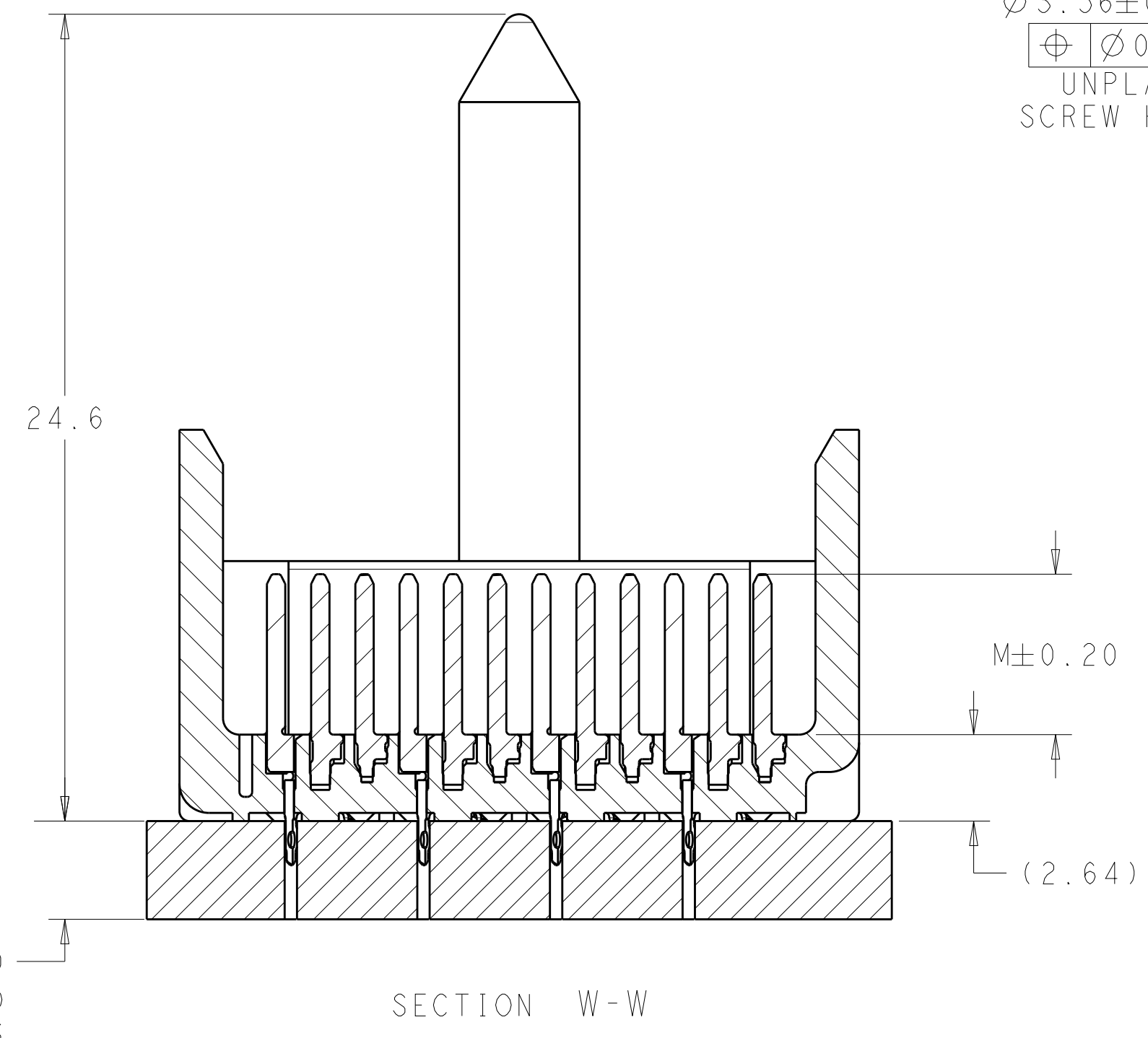
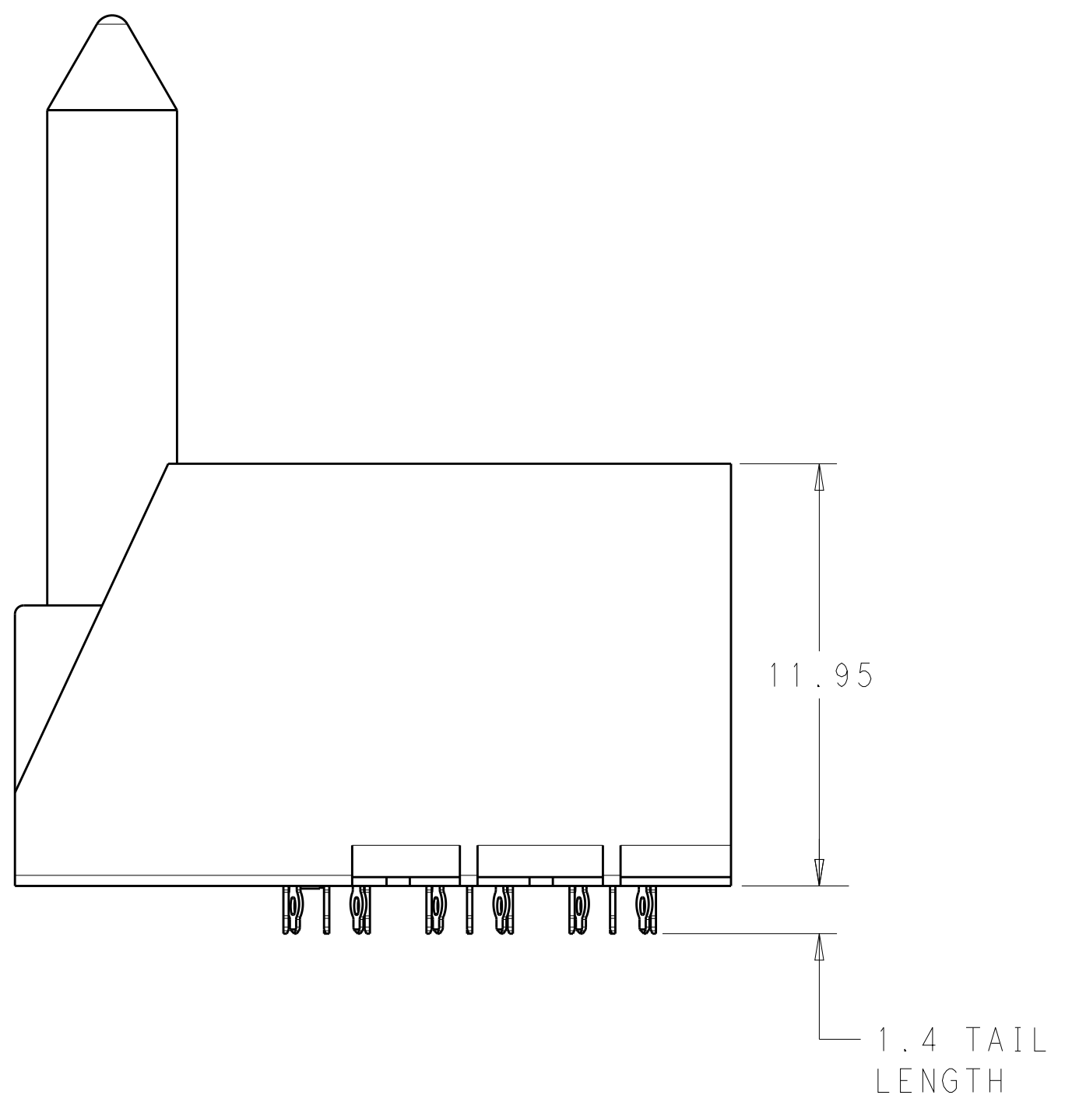
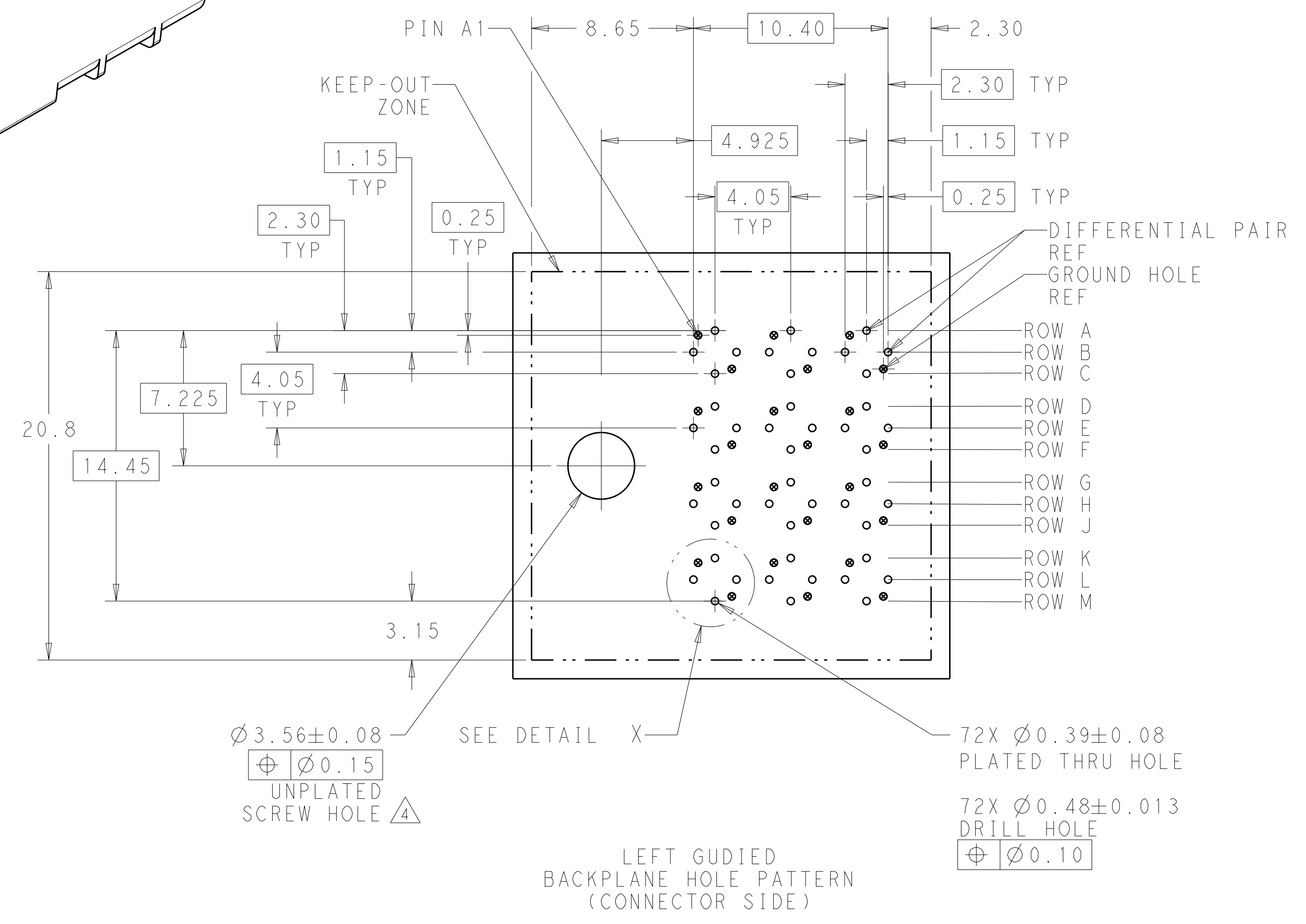
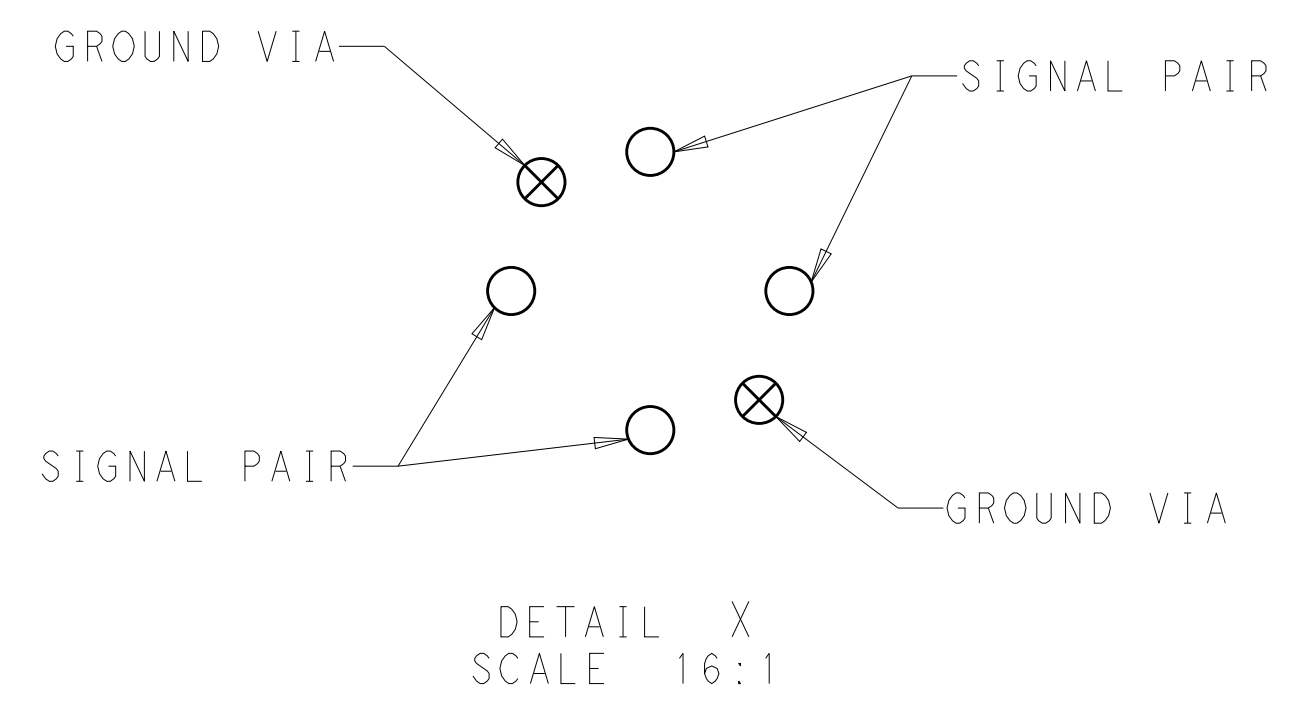


REVISIONS				
P.	LTN	DESCRIPTION	DATE	DMN APVD
C1		REVISED PER ECO-15-001489	31JAN2015	AP DD



- 1 MATERIAL:
HOUSING: LCP, GLASS FILLED, UL94V-0.
TERMINALS: HIGH PERFORMANCE COPPER ALLOY.
- 2 FINISH:
30µ" MIN GOLD IN CONTACT AREA. SELECTIVE TIN ON PCB TAILS, NICKEL OVERALL.
- 3. SCREWS PACKAGED IN END OF PACKAGING TUBE.
- 4 FOR GROUNDED GUIDE PIN USE Ø3.56±0.08 PTH, Ø3.66 DRILL, AND Ø6.5 PAD.



REFER TO WWW.TE.COM FOR PRODUCT AVAILABILITY

FINISH	5.5	2132594-2
DIM M	4.9	2132594-1
PART NUMBER		

THIS DRAWING IS A CONTROLLED DOCUMENT.

DMN: KIRAN HOLH 07MAR2013
CHK: D. DIXON 07MAR2013
APVD: D. DIXON 07MAR2013

TE Connectivity

NAME: IMPACT, ORTHOGONAL, 4 PAIR, 6 COLUMN HEADER, LEFT GUIDED, RIGHT END WALL SIGNAL MODULE, 0.39 PTH

SIZE: A1 00779 C=2132594

SCALE: 6:1 SHEET 1 OF 1 REV C1