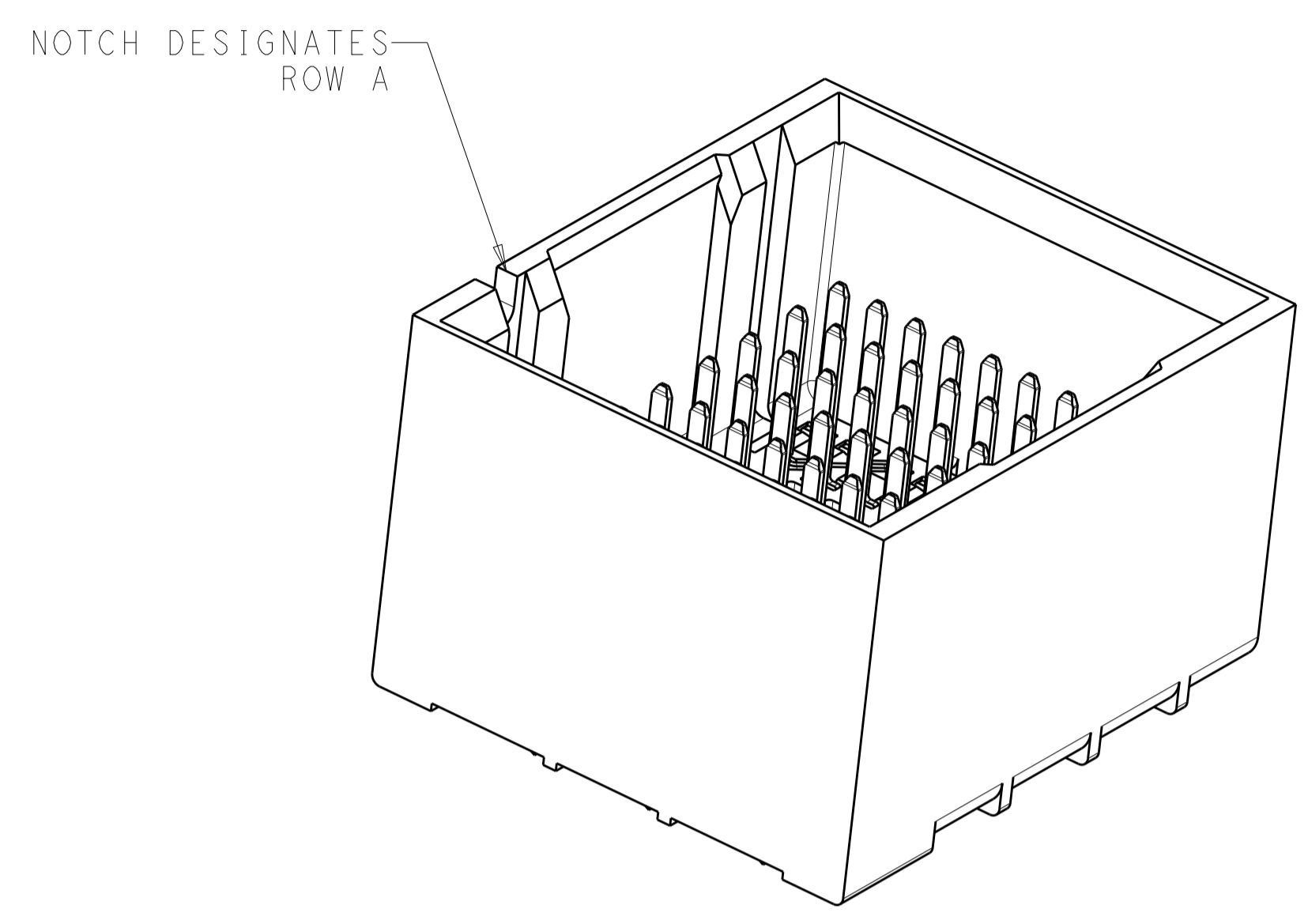
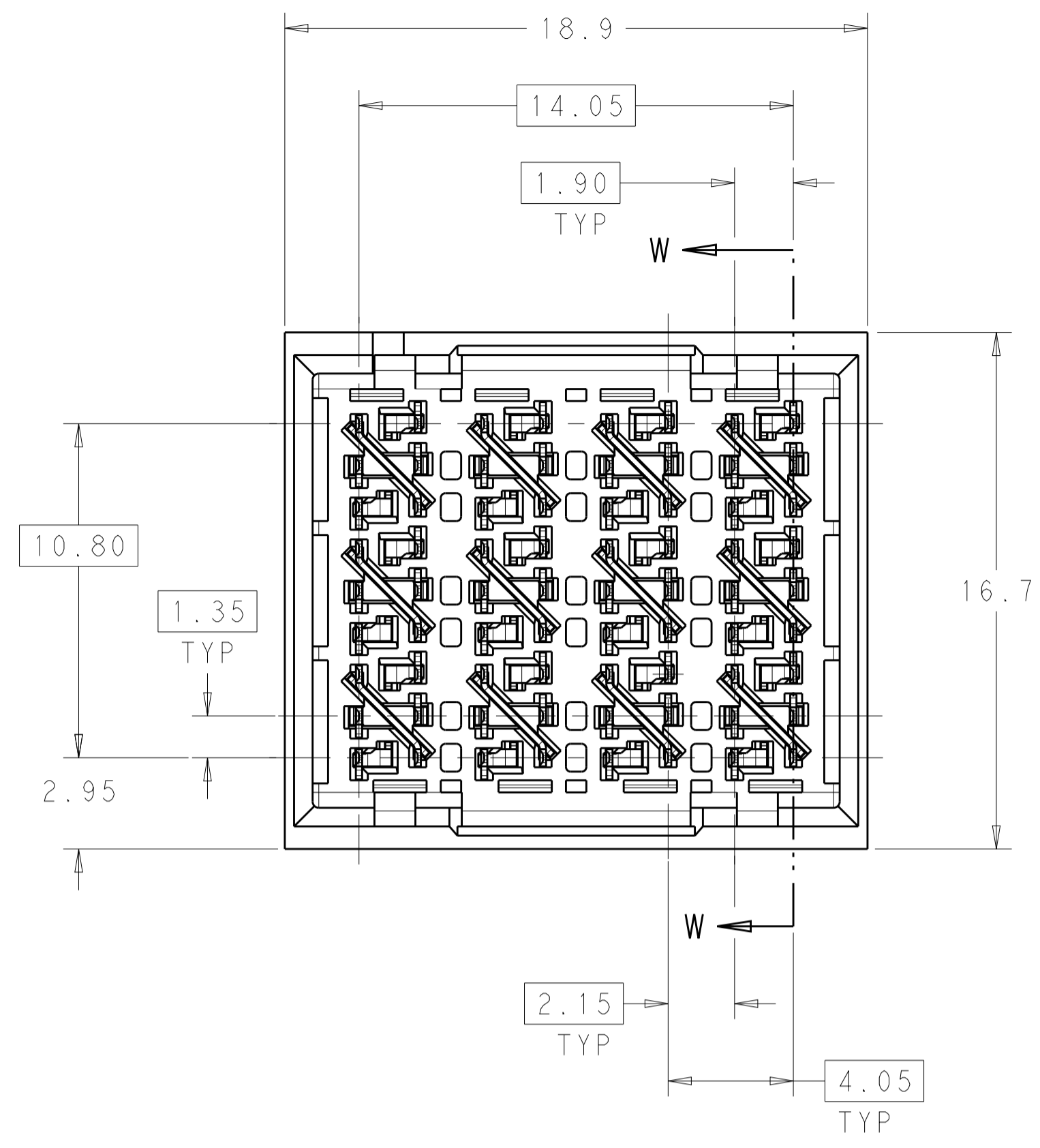
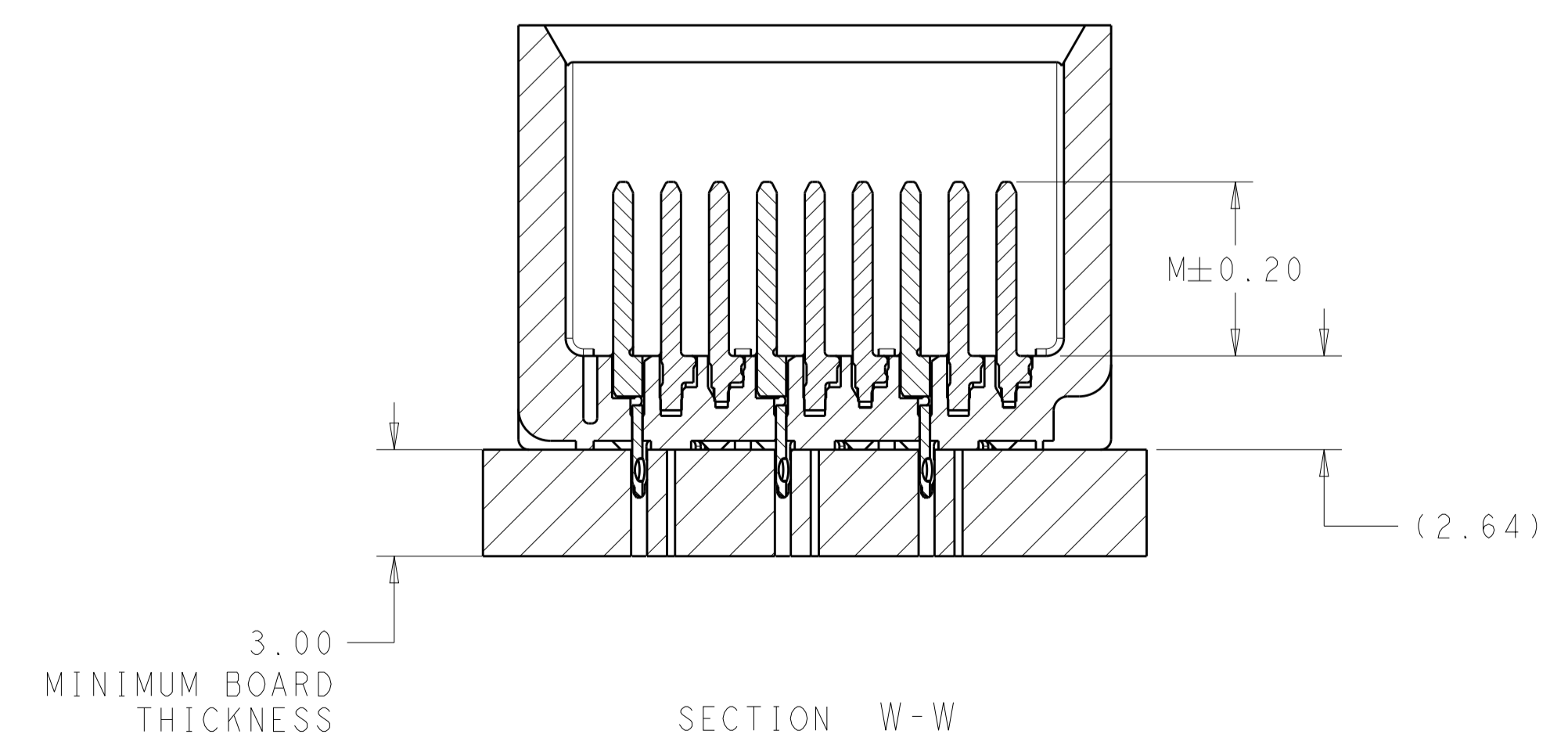
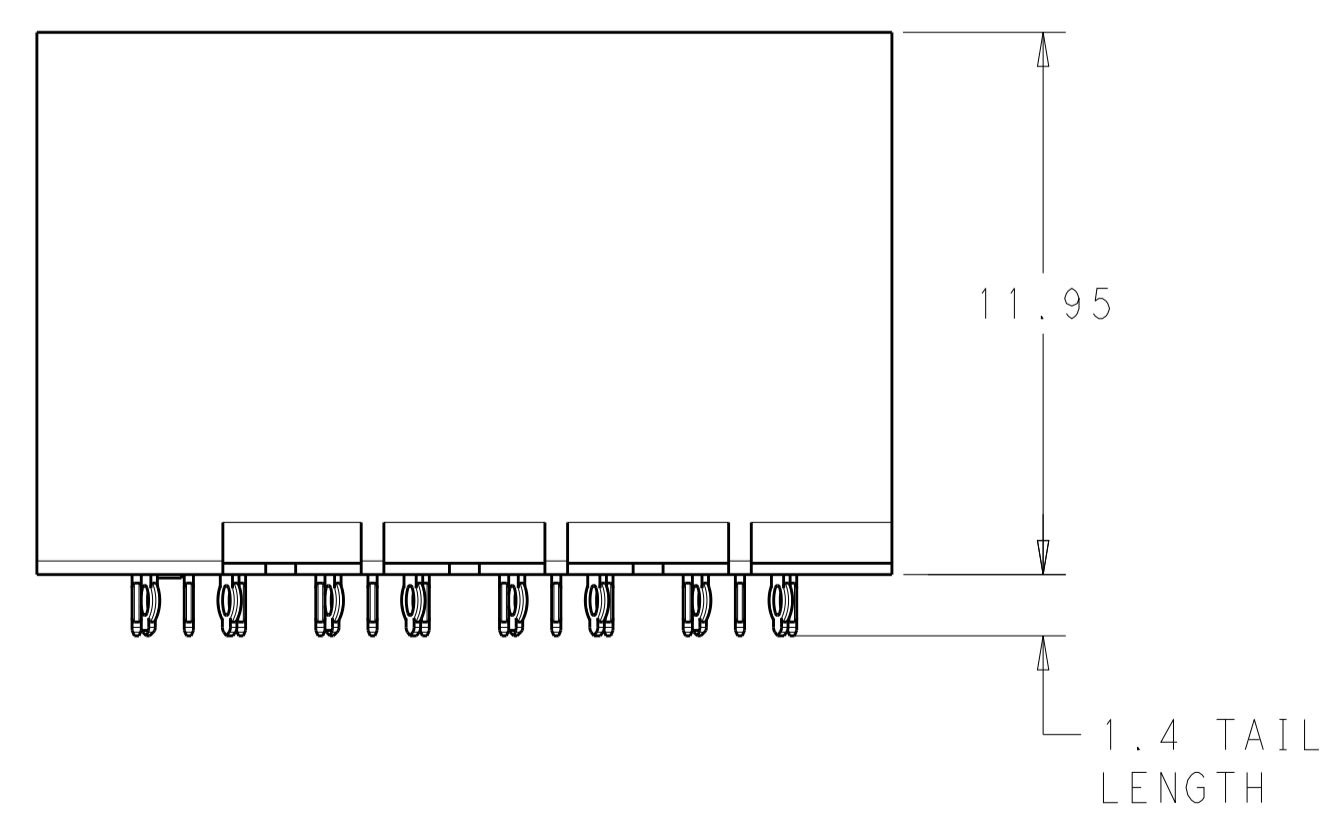
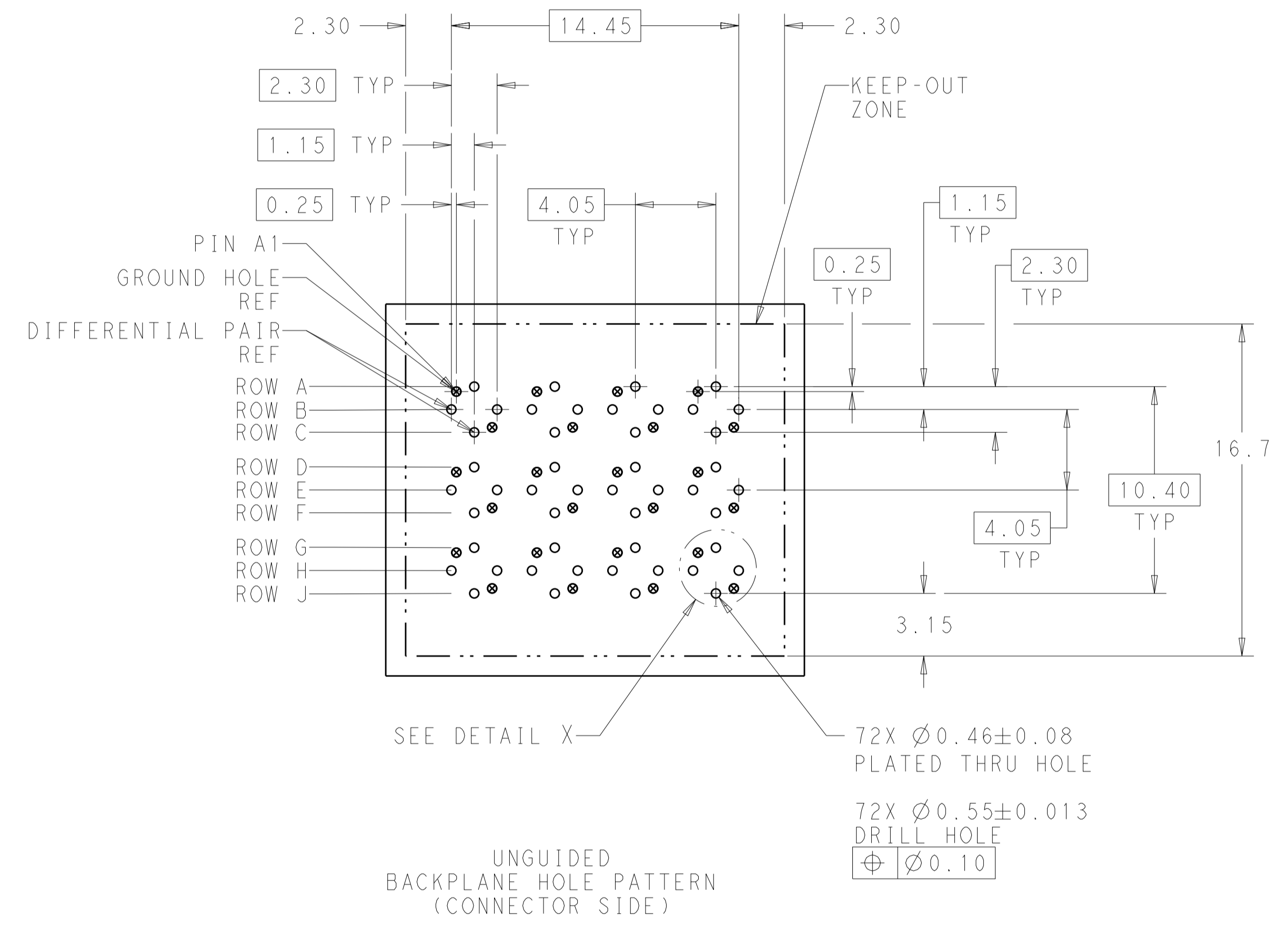
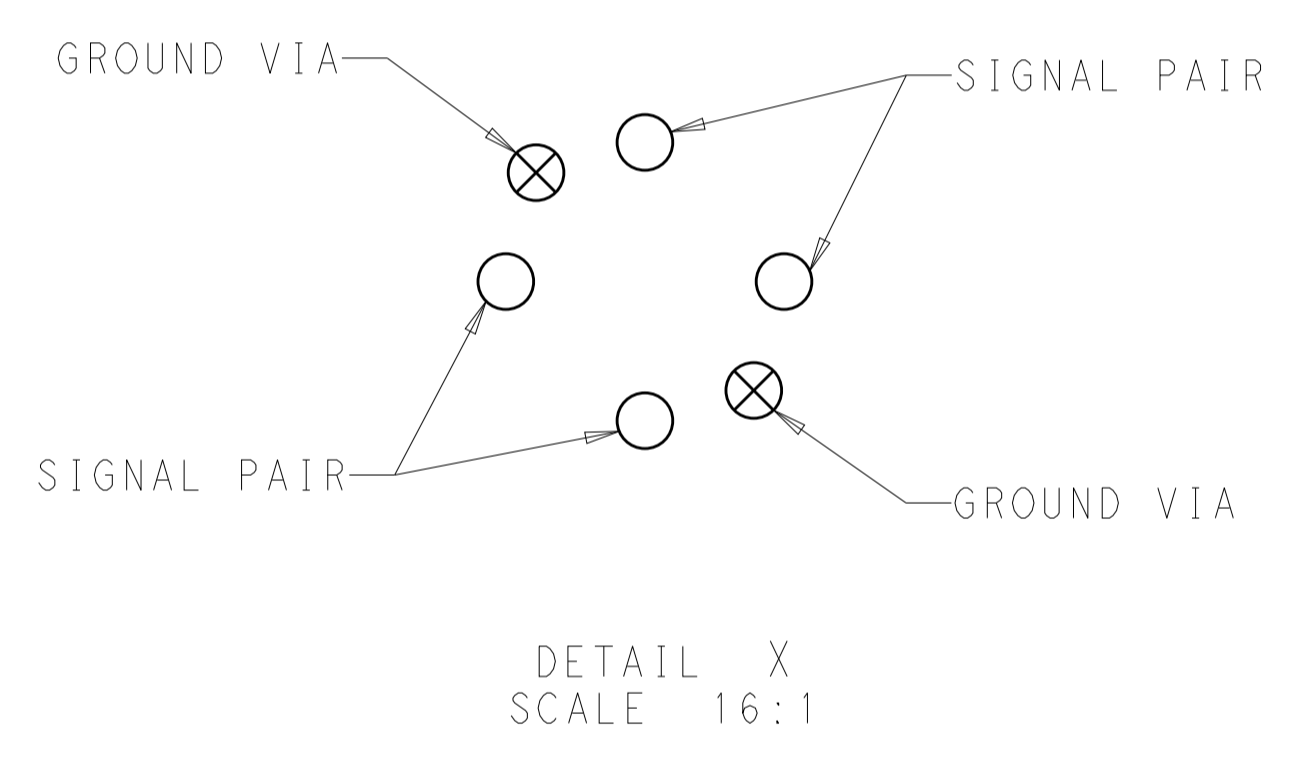


LOC		DIST		REVISIONS			
P	LTN	DESCRIPTION	DATE	DWN	APVD		
C1		REVISED PER ECO-15-001489	31JAN2015	AP	DD		



- 1 MATERIAL:
HOUSING: LCP, GLASS FILLED, UL94V-0.
TERMINALS: HIGH PERFORMANCE COPPER ALLOY.
- 2 FINISH:
30μ" MIN GOLD IN CONTACT AREA. SELECTIVE TIN ON PCB TAILS, NICKEL OVERALL.



REFER TO WWW.TE.COM FOR PRODUCT AVAILABILITY

2	5.5	2132591-2
2	4.9	2132591-1
FINISH	DIM M	PART NUMBER

THIS DRAWING IS A CONTROLLED DOCUMENT.

TE CONNECTIVITY

IMPACT, ORTHOGONAL, 3 PAIR, 8 COLUMN HEADER, UNGUIDED, DUAL END WALL SIGNAL MODULE, 0.46 PTH

SCALE 6:1 SHEET 1 OF 1 REV C1