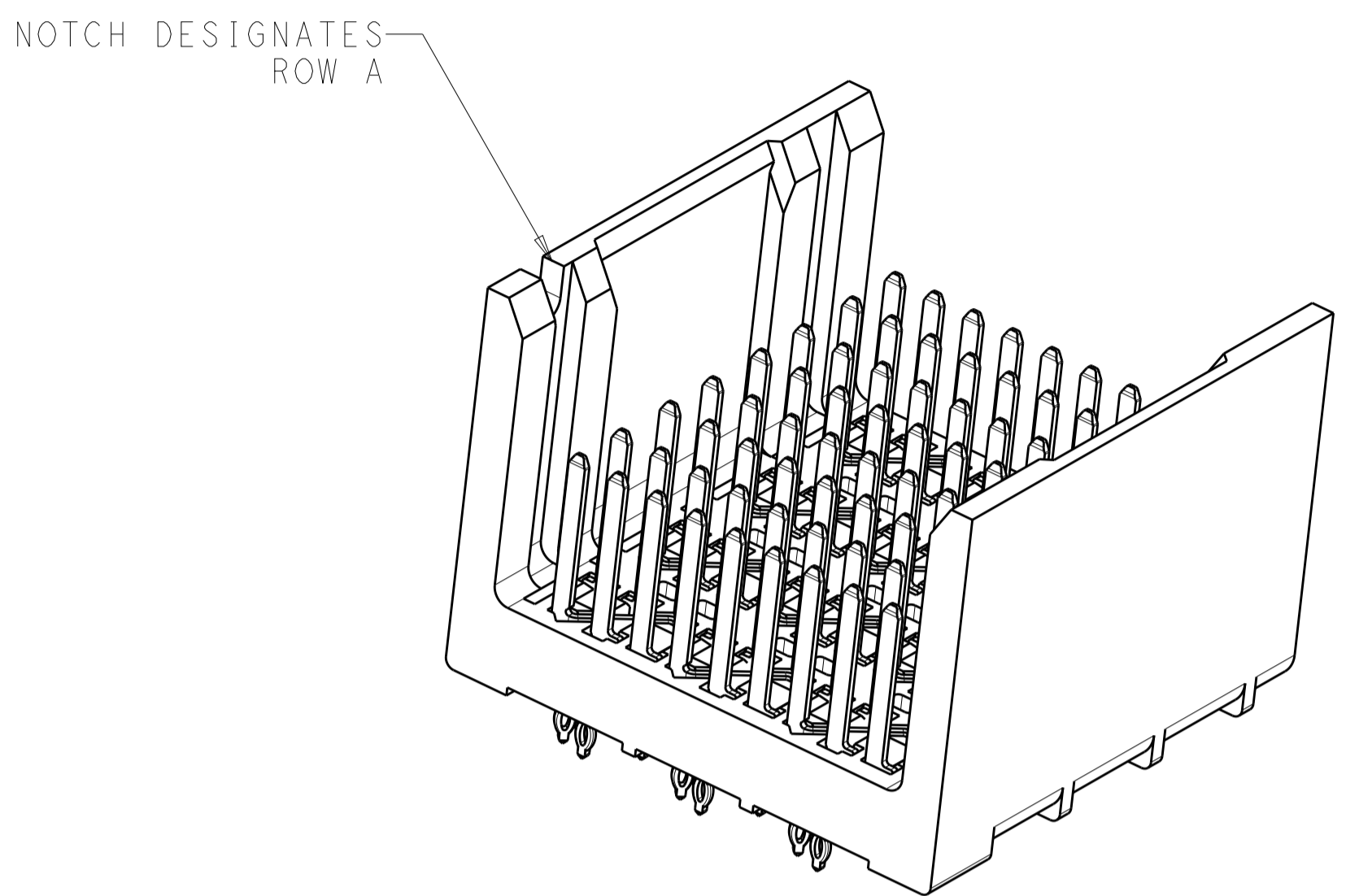
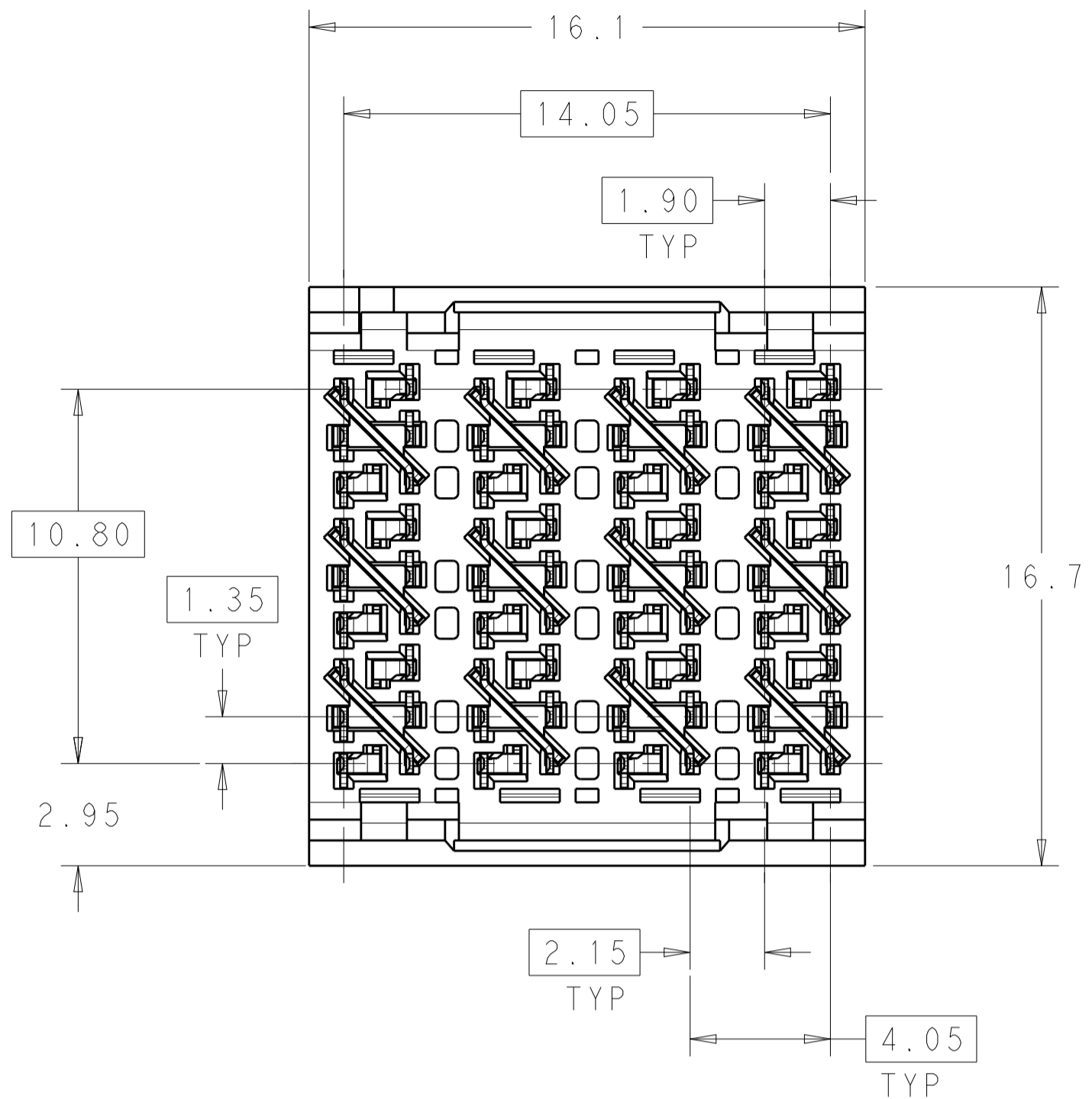
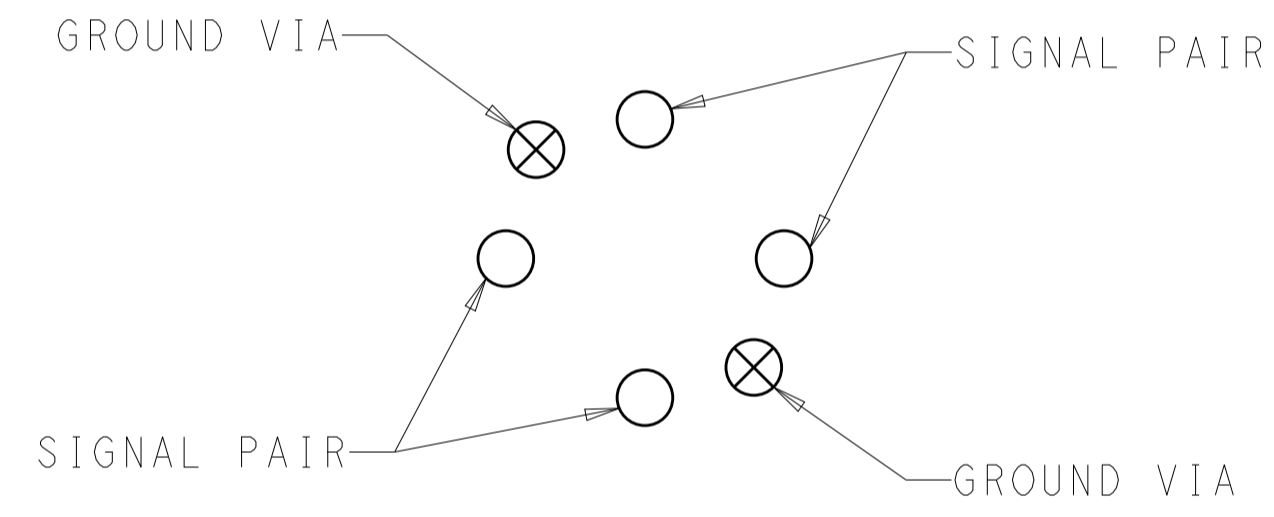


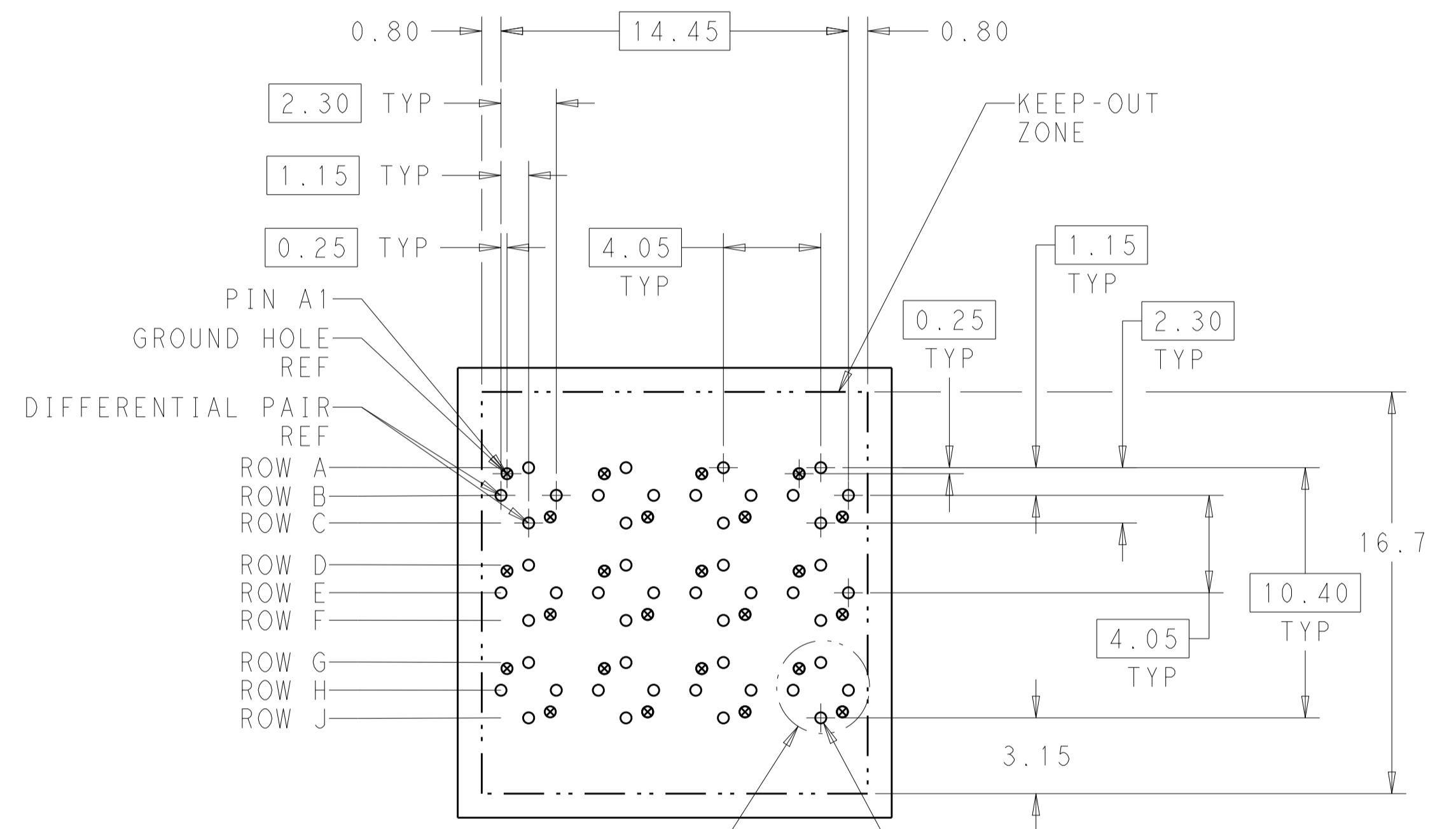
LOC		DIST		REVISIONS			
AD	00	P	LTN	DESCRIPTION	DATE	DWN	APVD
		C1		REVISED PER ECO-15-001489	31JAN2015	AP	DD



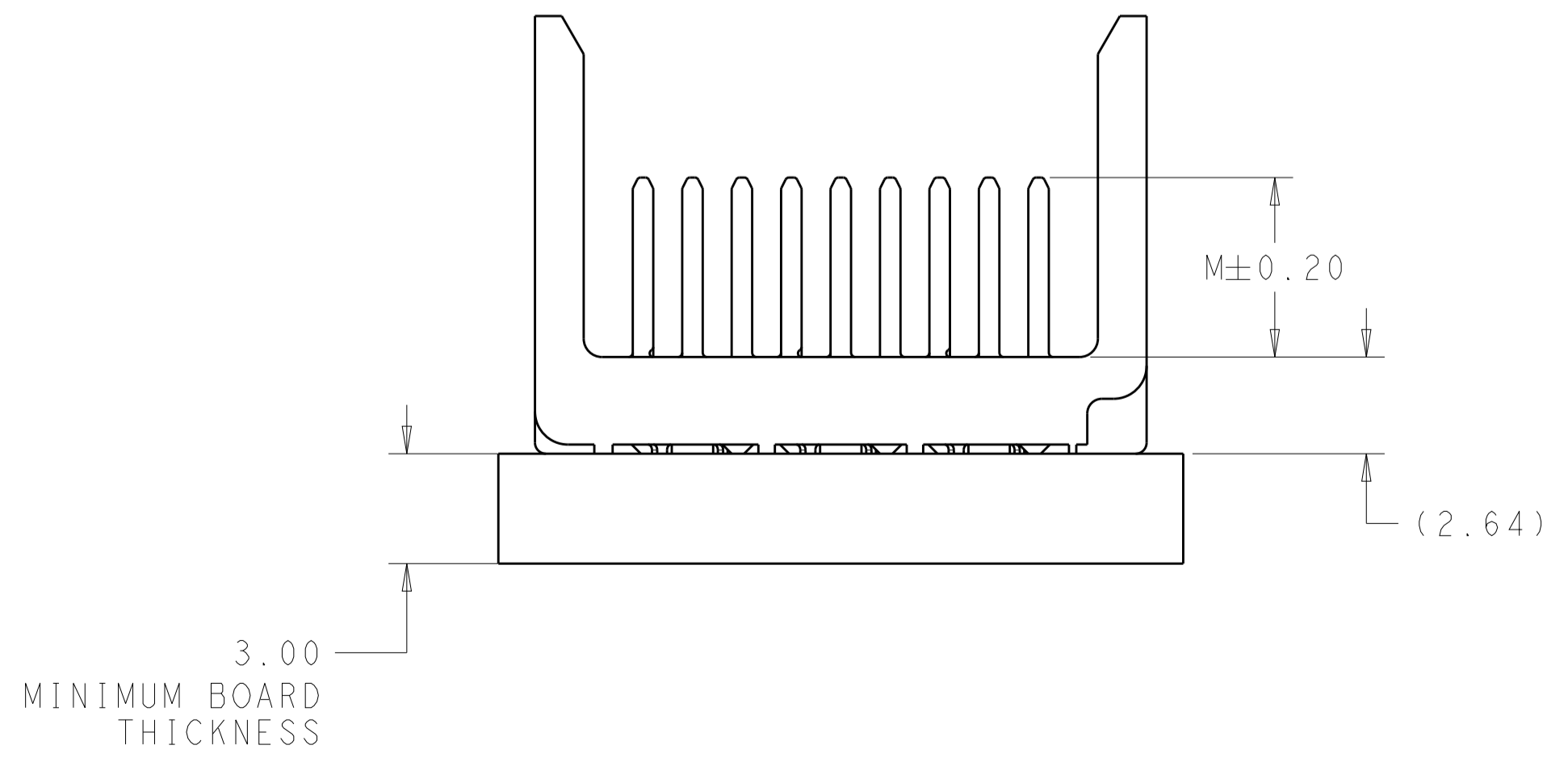
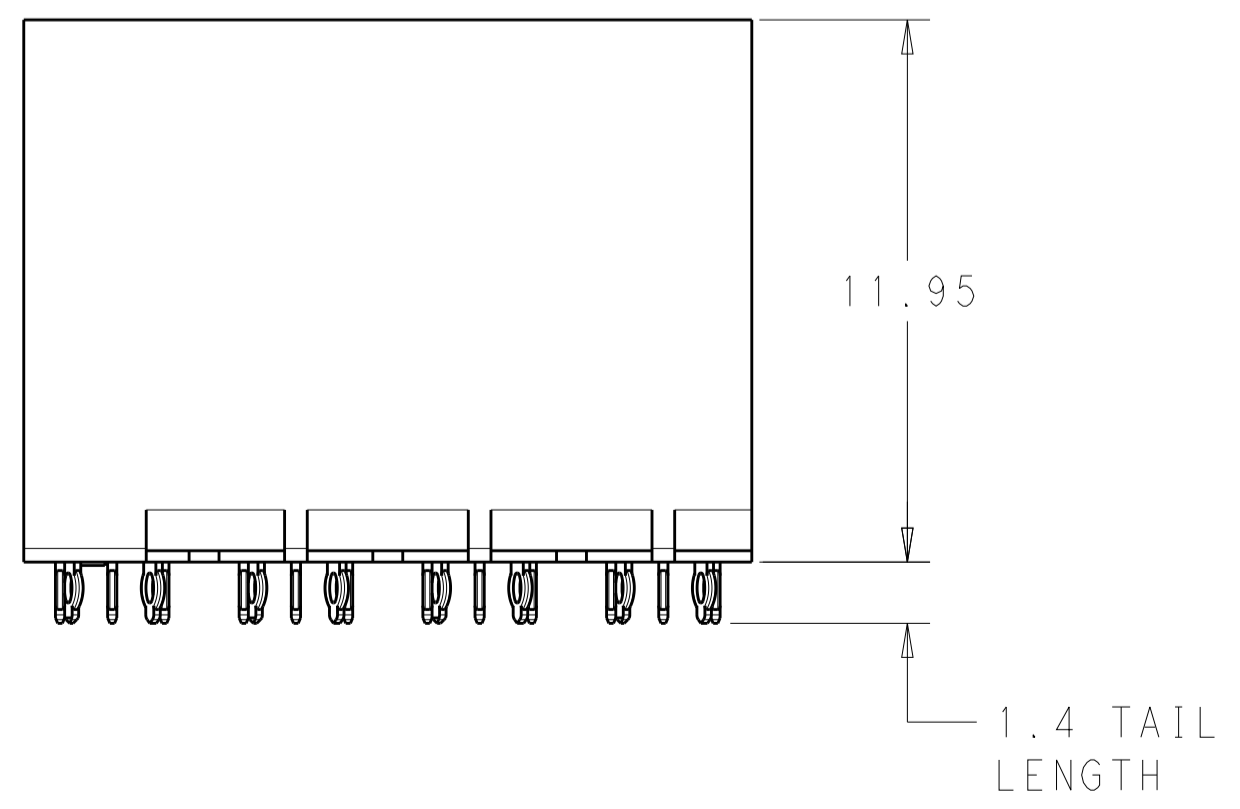
- 1 MATERIAL:
HOUSING: LCP, GLASS FILLED, UL94V-0.
TERMINALS: HIGH PERFORMANCE COPPER ALLOY.
- 2 FINISH:
30μ" MIN GOLD IN CONTACT AREA. SELECTIVE TIN ON PCB TAILS, NICKEL OVERALL.



DETAIL X
SCALE 16:1



UNGUIDED BACKPLANE HOLE PATTERN (CONNECTOR SIDE)



REFER TO WWW.TE.COM FOR PRODUCT AVAILABILITY

2	5.5	2132589-2
2	4.9	2132589-1
FINISH	DIM M	PART NUMBER

THIS DRAWING IS A CONTROLLED DOCUMENT.

DWN: KIRAN HOLAL 29APR2013
CHK: D. DIXON 29APR2013
APVD: D. DIXON 29APR2013

TE Connectivity

NAME: IMPACT, ORTHOGONAL, 3 PAIR, 8 COLUMN HEADER, UNGUIDED, OPEN END WALL SIGNAL MODULE, 0.46 PTH

SIZE: A1 00779 C=2132589

Customer Drawing

SCALE: 6:1

SHEET 1 OF 1

REV: C1